



# Installation Instructions

**Kit Number:** 1207105

**Date:** 4-25-2012

**Installation Instructions:** 1207117

**Rev.:** A

**Models:** HFD 1/2/3/4/5, HFDC1, HFDM1

**ECN:** 53375

**Subject:** Installing new HFD controller

**Rev. Date:** 4-25-2012

**Purpose:** Installation details new HFD controller

<b>Quantity</b>	<b><u>Parts List</u></b> <b>Part Number</b>	<b><u>Description</u></b>
(sold separately)	1201293 (HFD)	Controller, HFD1,2,3,4 or 5
(sold separately)	1201293-1(HFDM)	Controller, HFDM
(sold separately)	1201293-3 (HFDC)	Controller, HFDC
6	1205765	Harness, Adapter, Controller to Heater
6	1205754	Harness, Adapter, Controller to Lamp
1	1206526	Harness, Controller to Thermistor
1	1206552	Harness, Controller to Door

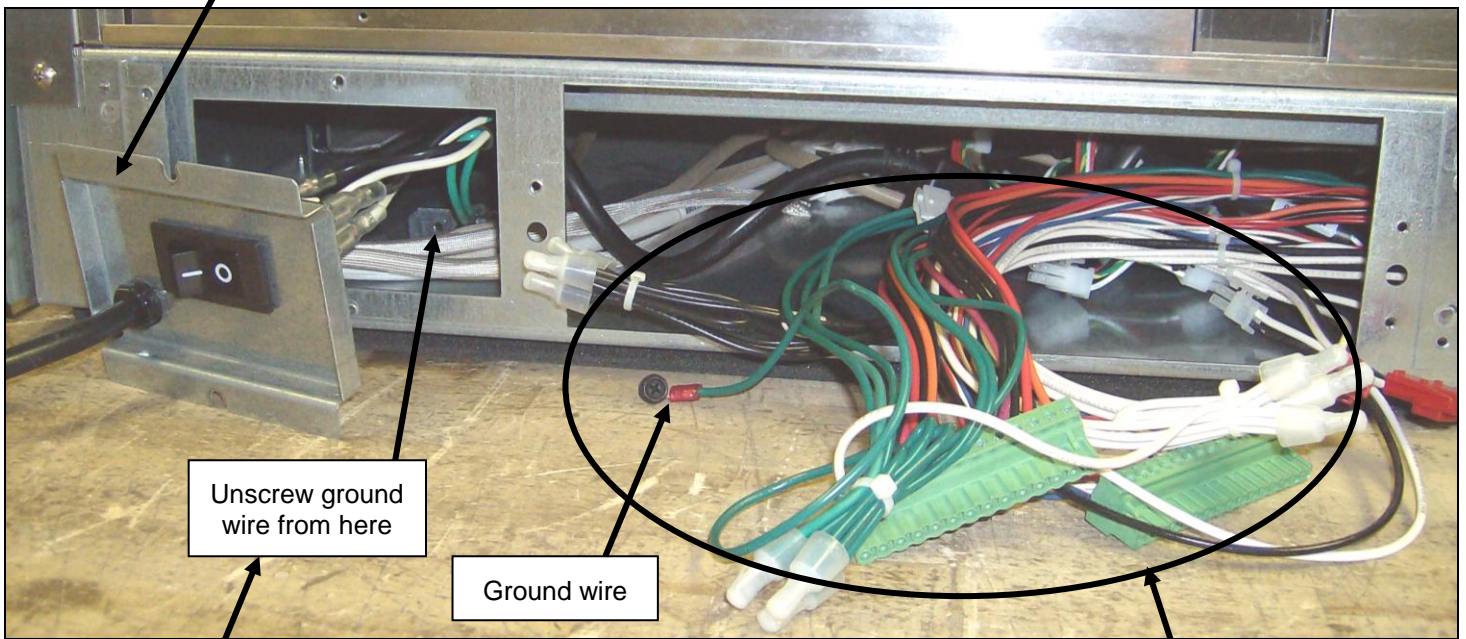
**Procedure** (If replacing HFDM controller, see HFDM Procedure beginning page 4)

**Step 1:** Turn off and unplug HFD, and allow it to cool.

**Step 2:** Remove the rear panel.



**Step 3:** Remove the screws holding the breaker panel and controller. Disconnect and remove the controller. Pull out the breaker panel.



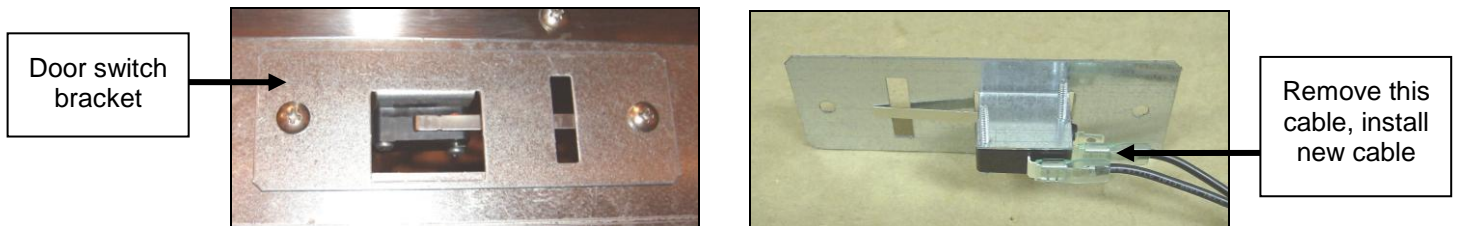
**Step 4:** Remove the screw connecting the ground wire. Disconnect and remove the main harness.

**Step 5:** Install **1205765 Harness, Adapter, Controller to Heater** to each of the six heater cables.

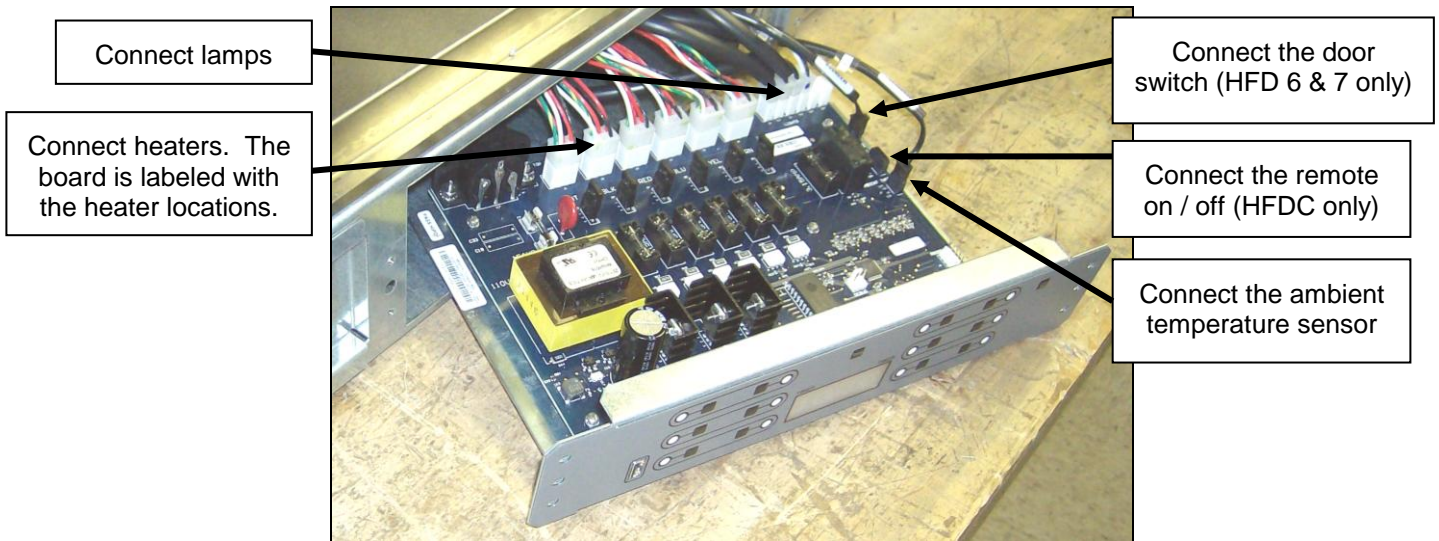
**Step 6:** Install **1205754 Harness, Adapter, Controller to Lamp** to each of the six lamp cables.

**Step 7:** Install **1206526 Harness, Controller to Thermistor** to the thermistor harness. This cable is long for this application, so coil up the cable in the base of the HFD.

**Step 8:** Slide open the front door of the HFD. (This excludes the HFDC.) Remove the two screws attaching the door switch bracket and pull it out. Remove the cable and install **1206552 Harness, Controller to Door**. Put the cable into the base of the HFD and reinstall the door switch bracket. Shut the front door.



**Step 9:** Connect the power, heater, lamp, and ambient thermistor cables, plus the door open cable (except HFDC) to the controller. Any lamp cable may be connected to any connection position. Push the cables and controller into the HFD base and reinstall the screws holding the controller and the breaker panel.

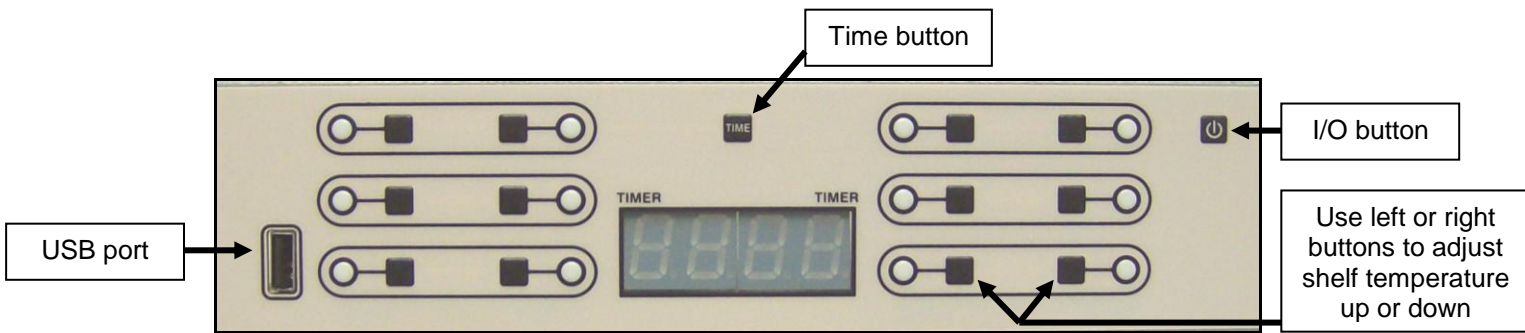


**Step 10:** Make sure the breaker is set to the “on” position. Reinstall the rear panel.

**Step 11:** Programming: (setting the timer and temperature values through the keypad). Temperature and time settings:

HFD 6, HFD 7					
Left Side			Right Side		
Heater Setpoint °F	Left Timer	Right Timer	Heater Setpoint °F	Left Timer	Right Timer
235	2:00	1:00	235	1:00	1:00
235	2:00	2:00	235	2:00	2:00
220	1:00	2:00	220	2:00	1:00

HFDC 2					
Left Side			Right Side		
Heater Setpoint °F	Left Timer	Right Timer	Heater Setpoint °F	Left Timer	Right Timer
240	2:00	2:00	240	2:00	2:00
240	2:00	2:00	240	2:00	2:00
240	2:00	2:00	240	2:00	2:00



**To set shelf temperatures:**

Turn the controller off.

Hold down the TIME button, and then hold down the I/O button until the display comes on.

Hold down the left or right button until each shelf temperature is set to the temperature and time settings in the charts above, or other temperature you choose.

Pressing the TIME button will toggle the display between °F and °C.

Press the I/O button to turn on the HFD.

**To set the timer countdown times:** Turn the controller on by pressing the I/O button. Press and release each timer button. During the three seconds while the indicator next to the button is blinking, repeated button presses will adjust the countdown time in 30 minute increments from 30 minutes to four hours. When the indicator stops blinking, the timer is set to the indicated time (and remains set at this countdown time until adjusted again), and timer countdown begins.

**Step 12:** Operation check: Turn on the controller. Check that all the lights come on, all six heater plates are heating, the ambient temperature is displayed, and no errors are displayed. Unlatch and open the front door (except HFDC), check that the lamps turn off, then close the door and confirm all the lamps turn on again.

**Step 13:** Allow the HFD to warm up for at least 30 minutes, and then restock with food.

### HFDM Procedure

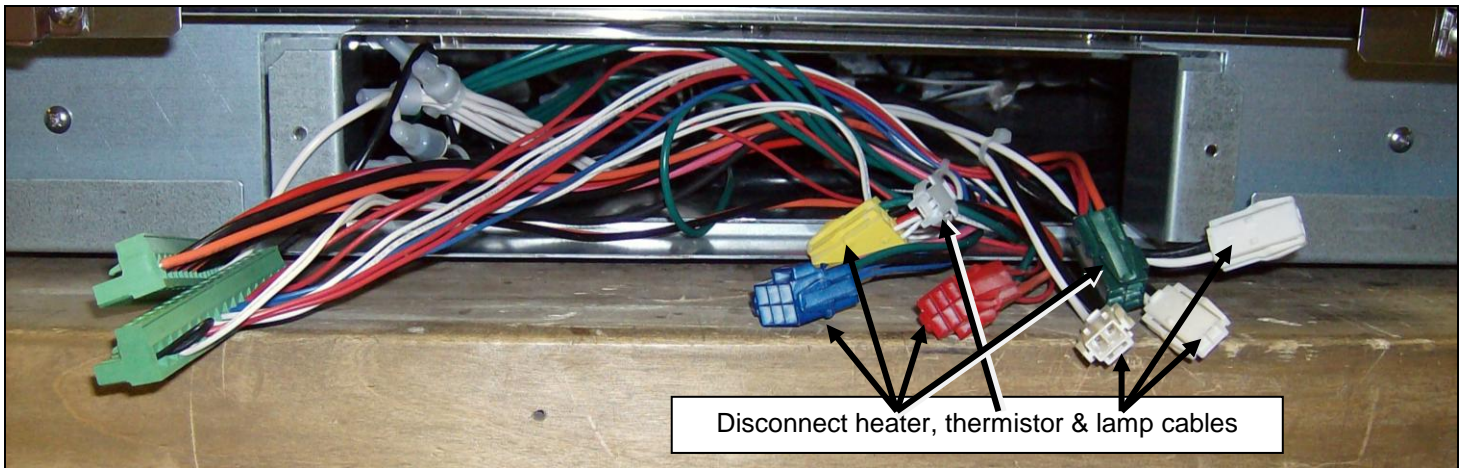
**Step 1:** Turn off and unplug HFDM and allow it to cool.

**Step 2:** Open the cover over the controller. Remove the screws holding the controller. Disconnect and remove the controller.



**Step 3:** From the rear of the HFDM: remove the six screws securing the back panel of the HFDM and remove the panel. Remove the two screws holding the breaker panel and pull out the panel. Remove the screw connecting the main harness ground wire.

**Step 4:** Disconnect and remove the main harness. From the front (see photo below) disconnect the heater, lamp, and thermistor cables.

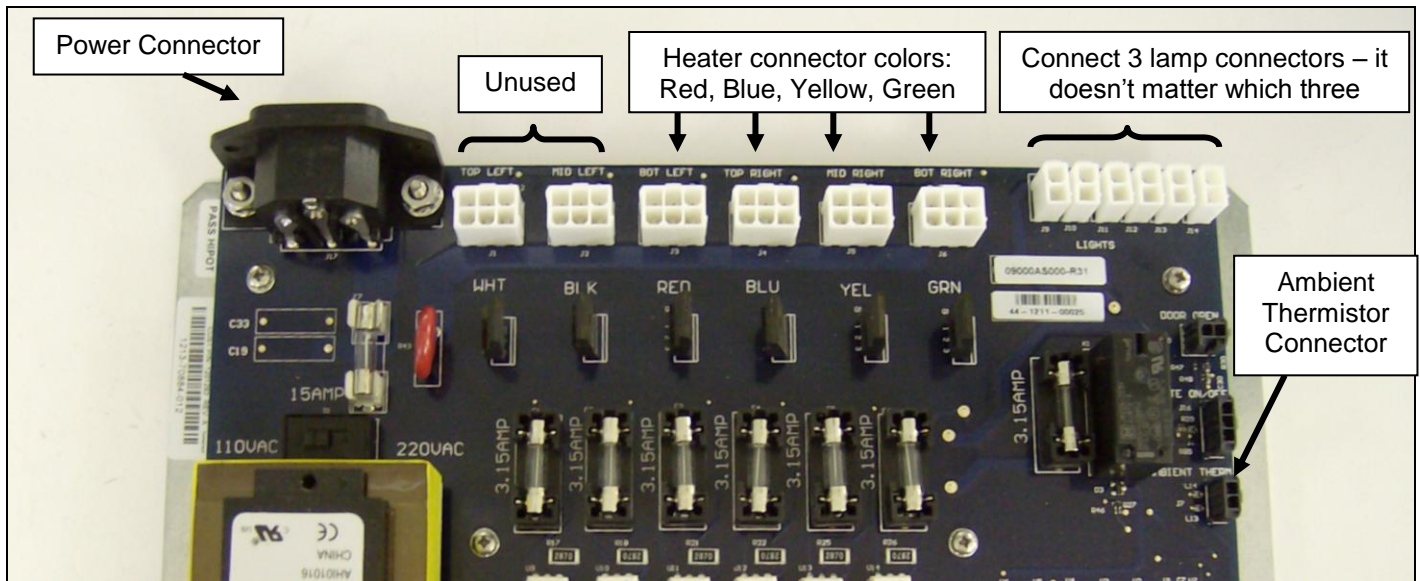


**Step 5:** Connect 1205765 Harness, Adapter, Controller to Heater to each of the four heater cables.

**Step 6:** Connect 1205754 Harness, Adapter, Controller to Lamp to each of the three lamp cables.

**Step 7:** Connect 1206526 Harness, Controller to Thermistor to the thermistor harness. This cable is long for this application, so coil the cable in the base of the HFD.

**Step 8:** Connect cables to 1201293 Controller, HFD as shown:

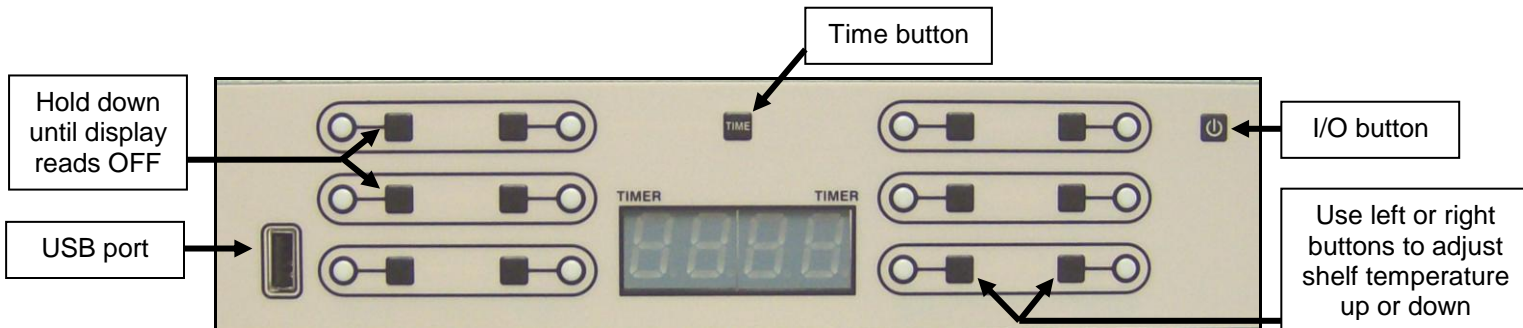


**Step 9:** Push the cables and controller into the HFD base and reinstall the screws holding the controller.

**Step 10:** Reinstall the breaker panel and back panel. Plug in the HFD. Switch the breaker to the “on” position.

**Step 11:** Programming: (setting the timer and temperature values through the keypad). Temperature and time settings:

HFDM 2					
Left Side			Right Side		
Heater Setpoint °F	Left Timer	Right Timer	Heater Setpoint °F	Left Timer	Right Timer
OFF	2:00	2:00	245	2:00	2:00
OFF	2:00	2:00	245	2:00	2:00
245	2:00	2:00	245	2:00	2:00



**To set shelf temperatures:**

Turn the controller off.

Hold down the TIME button, and then hold down the I/O button until the display comes on.

For the two upper left shelves, hold down the left button to set shelf temperatures to “OFF”.

For the other shelves, hold down the left or right button until each shelf temperature is set to 245°F, or other temperature you choose.

Pressing the TIME button will toggle the display between °F and °C.

Press the I/O button to turn on the HFD.

**To set the timer countdown times:** Turn the controller on by pressing the I/O button. Press and release each timer button. During the three seconds while the indicator next to the button is blinking, repeated button presses will adjust the countdown time in 30 minute increments from 30 minutes to four hours. When the indicator stops blinking, the timer is set to the indicated time (and remains set at this countdown time until adjusted again), and timer countdown begins.

**Step 12:** Operation check: Turn on the controller. Check that all the lights come on, all four heater plates are heating, and the ambient temperature is displayed, and no errors are displayed.

**Step 13:** Allow the HFDM to warm up for at least 30 minutes, and then restock with food.