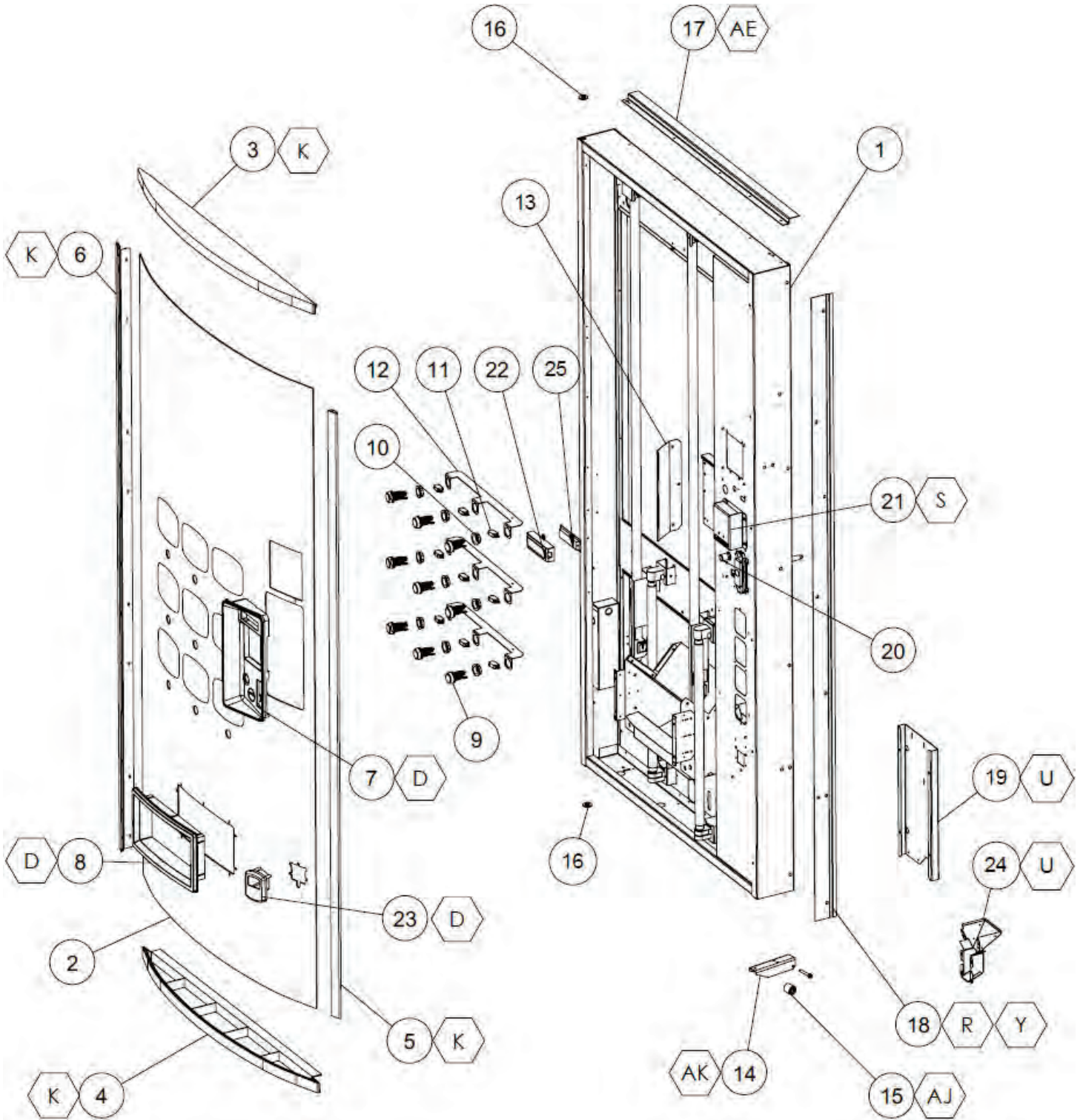




DOOR PARTS
CHAMELEON ADA

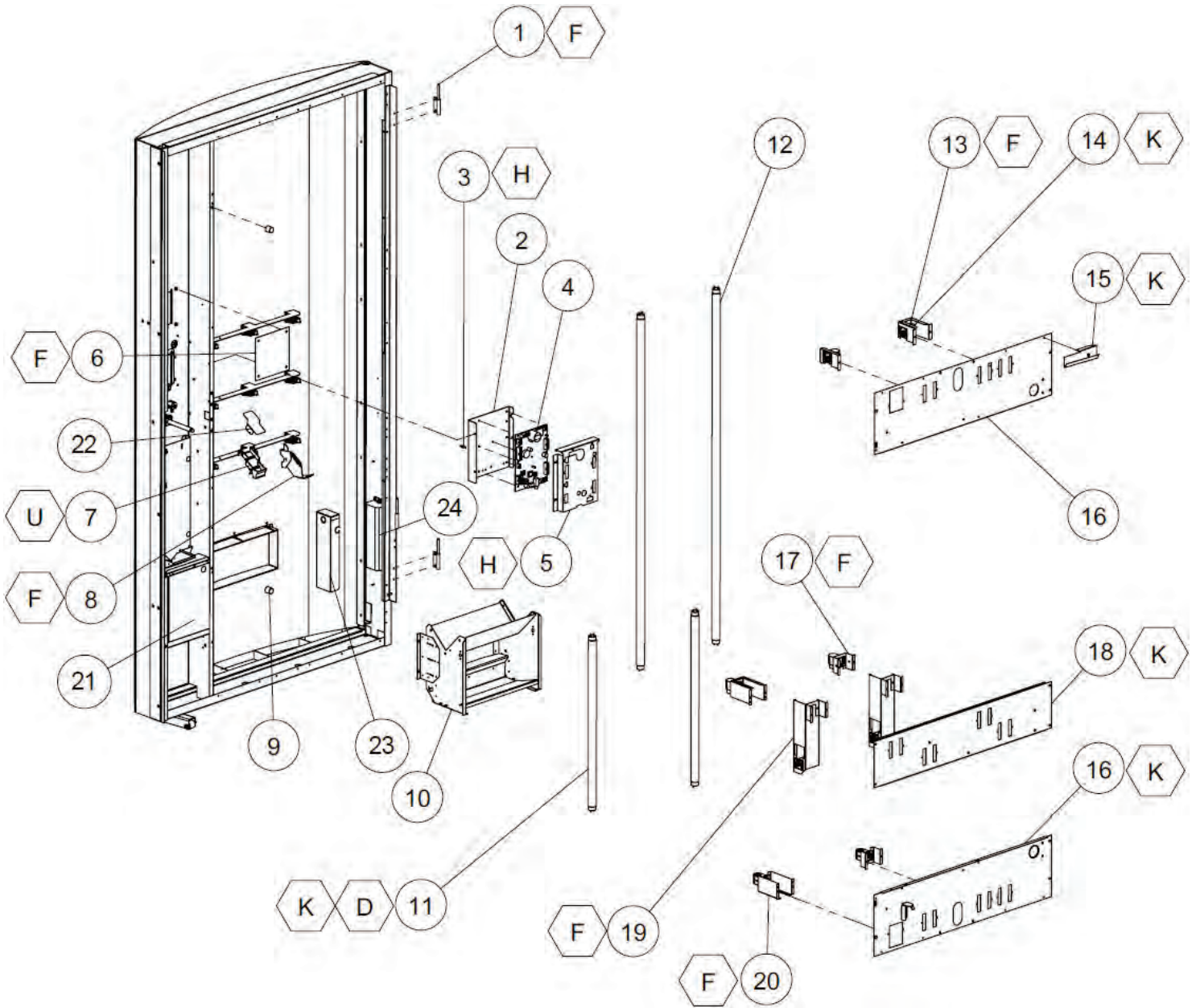


CHAMELEON ADA TRADE DOOR

| ITEM NO. | MODEL NUMBER | 521 | | 621 | | 721 | | 821 | | HARDWARE |
|----------|------------------------------|---------|-----------|---------|-----------|---------|-----------|---------|-----------|----------|
| | DESCRIPTION | QTY REQ | PART NO. | QTY REQ | PART NO. | QTY REQ | PART NO. | QTY REQ | PART NO. | |
| 1 | DOOR WELD | 1 | 1182341 | 1 | 1190026 | 1 | 1189097 | 1 | 1189232 | |
| 2 | SIGN FACE | 1 | ** | 1 | ** | 1 | ** | 1 | ** | |
| 3 | SIGN CAP, TOP | 2 | 389305 | 1 | 1127305 | 1 | 1114341 | 1 | 1114341 | K |
| 4 | SIGN CAP, BOTTOM | ~ | ~ | 1 | 1127510 | 1 | 1114341-1 | 1 | 1114341-1 | |
| 5 | SIGN TRIM, VTL, RIGHT, 72" | 1 | 1182479 | 1 | 1149889 | 1 | 1149889 | 1 | 1150455 | K |
| 6 | SIGN TRIM, VTL, LEFT, 72" | 1 | 1182481 | 1 | 1149891 | 1 | 1149891 | 1 | 1150466 | K |
| 7 | BEZEL, CONSUMER INTERFACE | 1 | 1143346 | 1 | 1143346 | 1 | 1143346 | 1 | 1143346 | D |
| 8 | TRIM EYELET, CURVE | 1 | 388271 | 1 | 388271 | 1 | 388271 | 1 | 388271 | D |
| 9 | BUTTON ASY, ROUND, CHAMELEON | 6 | 1149374 | 6 | 1149374 | ** | 1149374 | ** | 1149374 | |
| 10 | PLASTIC NUT | 6 | 1073538 | 6 | 1073538 | ** | 1073538 | ** | 1073538 | |
| 11 | SELECTION SWITCH | 6 | 368299 | 6 | 368299 | ** | 368299 | ** | 368299 | |
| 12 | BRACKET, SIGN FACE | 3 | 1182388 | 2 | 1163504 | ** | ** | ** | ** | H |
| 13 | SUPPORT BRACKET | 1 | 1143486 | 1 | 1143486 | 1 | 1143486 | 1 | 1143486 | |
| 14 | DOOR ROLLER BRACKET | 1 | 1239376 | 1 | 1239376 | 1 | 1239376 | 1 | 1239376 | V802196 |
| 15 | DOOR ROLLER | 1 | 1120388 | 1 | 1120388 | 11 | 1120388 | 1 | 1120388 | V802162 |
| 16 | BUSHING HINGE | 2 | 388094 | 2 | 388094 | 2 | 388094 | 2 | 388094 | |
| 17 | RAIN GUARD | 1 | 1182455 | 1 | 2005937-2 | 1 | 2000848 | 1 | 2000848 | |
| 18 | DOOR GUARD | 1 | 1183151 | 1 | 2010131 | 1 | 2010131 | 1 | 2009503 | AE |
| 19 | COIN SUPPORT PLATE | 1 | 1143475 | 1 | 1143475 | 1 | 1143475 | 1 | 1143475 | H |
| 20 | COIN RETURN BUTTON | 1 | 1050473 | 1 | 1050473 | 1 | 1050473 | 1 | 1050473 | |
| 21 | COVER, DBV (OPTIONAL) | 1 | 1144557 | 1 | 1144557 | 1 | 1144557 | 1 | 1144557 | |
| 22 | LENS, DISPLAY-BLUE | 1 | 1121103 | 1 | 1121103 | 1 | 1121103 | 1 | 1121103 | S |
| 23 | COIN RETURN BEZEL | 1 | 1170855-1 | 1 | 1170855-1 | 1 | 1170855-1 | 1 | 1170855-1 | D |
| 24 | COIN RETURN CUP | 1 | 1143414 | 1 | 1143414 | 1 | 1143414 | 1 | 1143414 | H |
| 25 | DISPLAY BOARD, 2X20 | 1 | 1137414 | 1 | 1137414 | 1 | 1137414 | 1 | 1137414 | |

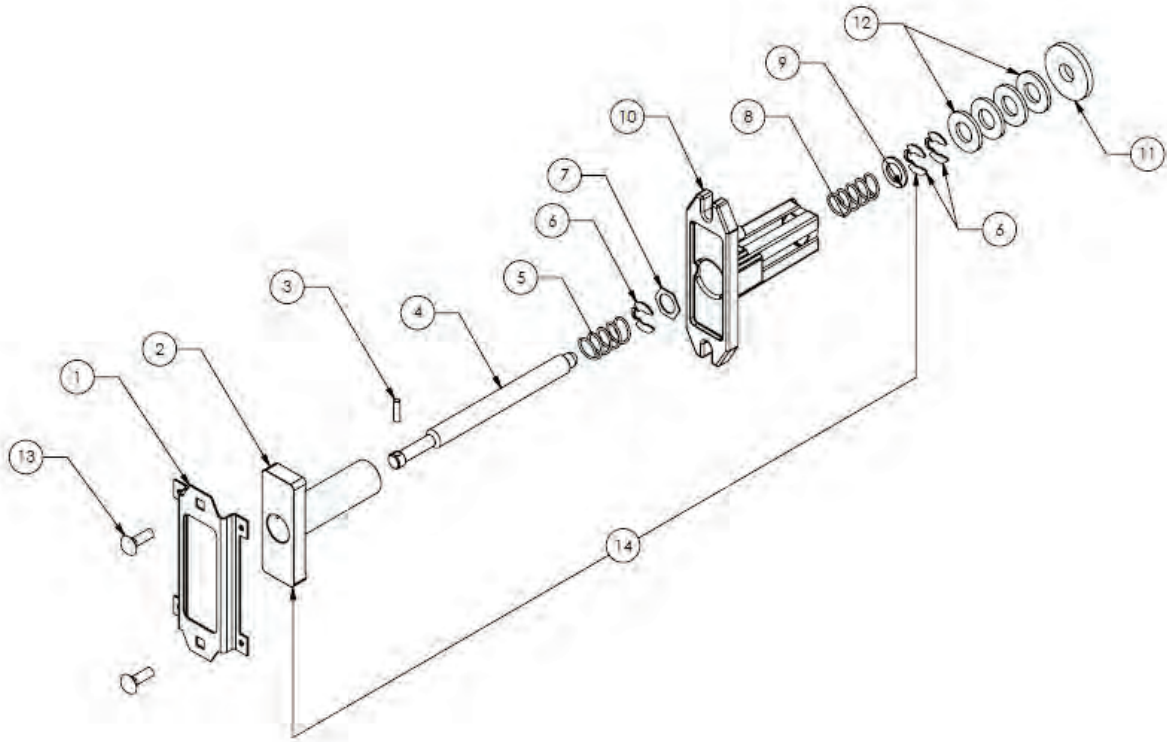
* NOTE: WHEN ORDERING DOOR ASSEMBLY, PLEASE PROVIDE 9-CODE OR 11-CODE AND MANUFACTURERS DATE CODE.

** NOTE: PART NUMBER AND/OR QUANTITY IS CONFIGURATION DEPENDENT. CONTACT CUSTOMER SERVICE FOR ASSISTANCE.



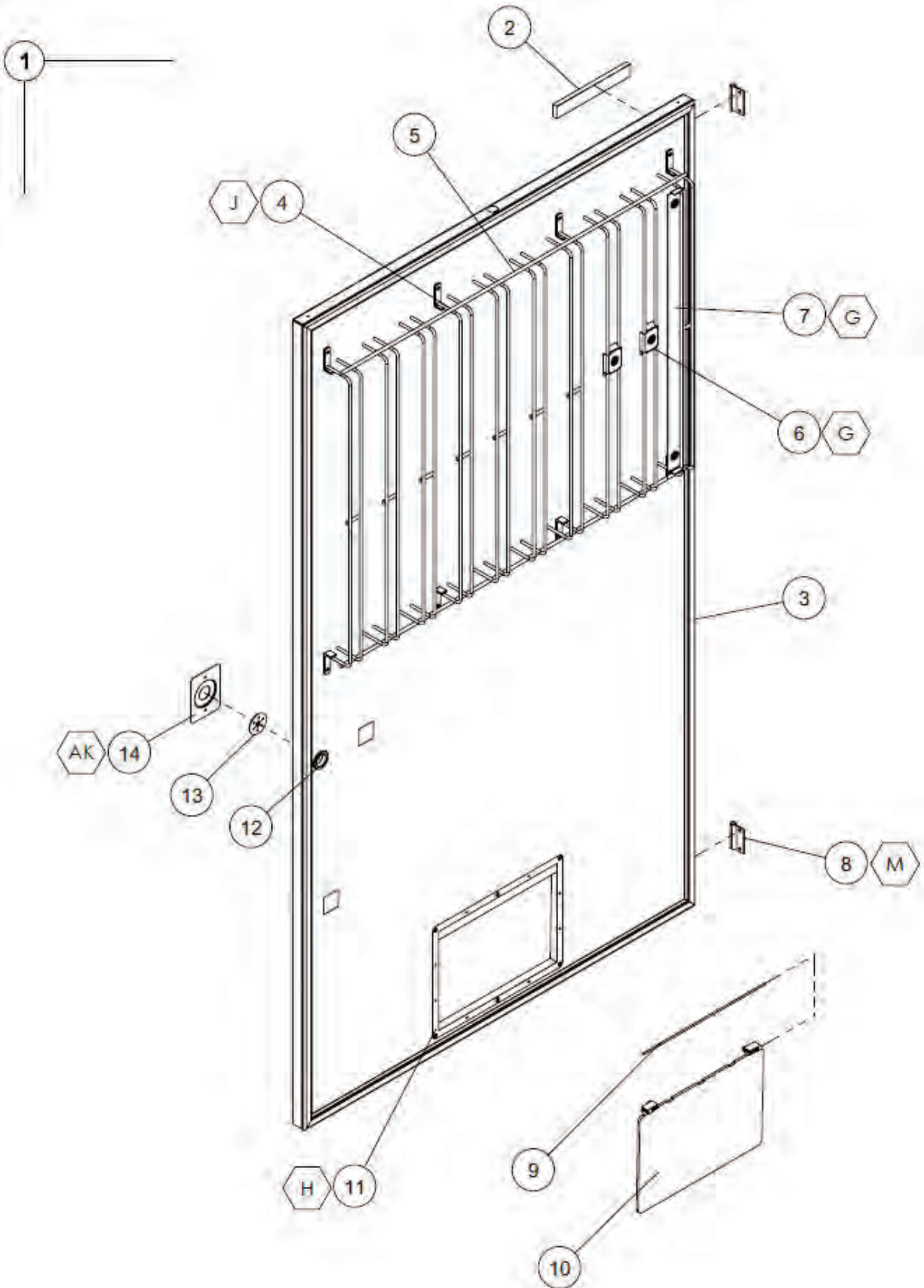
CHAMELEON ADA TRADE DOOR (CONTINUED)

| ITEM NO. | MODEL NUMBER | 521 | | 621 | | 721 | | 821 | | HARDWARE |
|----------|-------------------------------|---------|-----------|---------|-----------|---------|------------|---------|-----------|----------|
| | DESCRIPTION | QTY REQ | PART NO. | QTY REQ | PART NO. | QTY REQ | PART NO. | QTY REQ | PART NO. | |
| 1 | HINGE – INNER DOOR, MALE | 2 | 1121287 | 2 | 1121287 | 2 | 1121287 | 2 | 1121287 | F |
| 2 | MOUNTING BRACKET - CONTROLLER | 1 | 1124704 | 1 | 1124704 | 1 | 1124704 | 1 | 1124704 | H |
| 3 | STAND OFF | 7 | 1121740 | 7 | 1121740 | 7 | 1121740 | 7 | 1121740 | |
| 4 | PCBA VEC 12.1 CONTROLLER | 1 | 1167867 | 1 | 1167867 | 1 | 1167867-03 | 1 | 1167867 | |
| 5 | PCBA COVER PANEL | 1 | 1123049 | 1 | 1123049 | 1 | 1123049 | 1 | 1123049 | H |
| 6 | PLATE, DBV PLUG, UPPER | ~ | ~ | 1 | 1143498 | 1 | 1143498 | 1 | 1143498 | F |
| 7 | COIN INSERT CHUTE | 1 | 1121066 | 1 | 1121066 | 1 | 1121066 | 1 | 1121066 | U |
| 8 | ASY,COIN RETURN LEVER | 1 | 1182651 | 1 | 1182651 | 1 | 1182651 | 1 | 1182651 | F |
| 9 | DOOR BUMPER | 2 | 1036912 | 2 | 1036912 | 2 | 1036912 | 2 | 1036912 | |
| 10 | DELIVERY HOPPER ASSEMBLY | 1 | 1182509 | 1 | 1189115-1 | 1 | 1189115 | 1 | 1189115 | D,K |
| 11 | LAMP – 17W T-8, 24" | ~ | ~ | 3 | 1130637 | 3 | 1130637 | 3 | 1130637 | |
| | LAMP, LED, 24" | 2 | ~ | 2 | 1237136 | 2 | 1237136 | 2 | 1237136 | |
| 12 | LAMP – 32W T-8, 48" | 2 | 1130637-5 | 2 | 1121173-2 | 2 | 1121173-2 | 2 | 1121173-2 | |
| | LAMP, LED, 48" | 2 | 1237136-1 | 2 | 1237136-1 | 2 | 1237136-1 | 2 | 1237136-1 | |
| 13 | BKT, LIGHT, UPPER | ~ | ~ | 1 | 1150387 | 2 | 1150387 | ~ | ~ | |
| 14 | BULB, HOLDER, PLUNGER | 4 | 1151265 | 4 | 1151265 | 4 | 1151265 | 4 | 1151265 | |
| 15 | RAIN GUTTER | 1 | 1121204 | 1 | 1121204 | 1 | 1121204 | 1 | 1121204 | K |
| 16 | PNL, SHR, LWR, 39"4-BLB | 2 | 1182365 | 1 | 1238922 | 1 | 1238949 | 1 | 1238949 | K |
| | PNL, SHR, UPR, 39"4-BLB | | | 1 | 1238876 | 1 | 1238868 | 1 | 1238868 | |
| 17 | LAMP BRACKET LOWER PROFILE | 2 | 1182376 | 5 | 1151367 | 6 | 1151367 | 8 | 1151367 | F |
| 18 | PNL, SHR, MIDDLE | ~ | ~ | 1 | 1163474 | 1 | 1122308 | 1 | 1122308 | |
| 19 | LAMP EXTENSION BRACKET | ~ | ~ | 1 | 1150259 | 2 | 1150259 | ~ | ~ | |
| 20 | BRKT, LAMP, HO, EXT | 2 | 1143528 | ~ | ~ | ~ | ~ | ~ | ~ | |
| 21 | COIN BOX | 1 | 388392 | 1 | 388392 | 1 | 388392 | 1 | 388392 | |
| 22 | COIN CHUTE COVER | 1 | 1181555 | 1 | 1181555 | 1 | 1181555 | 1 | 1181555 | |
| 23 | BALLAST COVER | 1 | 1190155 | 1 | 1190155 | 1 | 1190155 | 1 | 1190155 | |
| 24 | BALLAST | 1 | 1127052 | 1 | 1127582 | 1 | 1127052 | 1 | 1127052 | |



CHAMELEON TRADE LOCK ASSEMBLY

| ITEM NO. | DESCRIPTION | QTY REQ | PART NO. |
|----------|---------------------------|---------|----------|
| 1 | BRKT, SECURITY, LOCK | 1 | 1143402 |
| 2 | T-HANDLE | 1 | 1002392 |
| 3 | PIN - STUD | 1 | 387601 |
| 4 | LOCK STUD - QUICKER LOCK | 1 | 1049724 |
| 5 | SPRING | 1 | 389691 |
| 6 | E - RING RETAINER | 3 | 388589 |
| 7 | HEX WASHER | 1 | 387600 |
| 8 | SPRING - HEAVY | 1 | 389691 |
| 9 | FLAT WASHER | 1 | 387718 |
| 10 | T-HANDLE - FLANGE | 1 | 1002384 |
| 11 | VAPOR SEAL | 1 | 388132 |
| 12 | WASHER 1/2" | 4 | V801023 |
| 13 | 1/4" X 3/4" CARRIAGE BOLT | 1 | V801434 |
| 14 | T - HANDLE ASSY. | 1 | 1002635 |



V21 Door Parts Chameleon ADA | D2-7

V21 ADA TRADE INNER DOOR

| ITEM NO. | MODEL NUMBER | | 521 | 621 | 721 | 821 |
|----------|---------------------------------|---------|------------|------------|------------|------------|
| | DESCRIPTION | QTY REQ | PART NO. | PART NO. | PART NO. | PART NO. |
| 1 | INNER DOOR ASSEMBLY | 1 | 134302-159 | 134302-162 | 134302-160 | 134302-161 |
| 2 | RAIN SEAL, INNER DOOR, 7" | 1 | 1111732-2 | 1111732-2 | 1111732-2 | 1111732-2 |
| 3 | INNER DOOR SEAL | 1 | 1075678-3 | 1075678-2 | 1075678 | 1075678-1 |
| 4 | UPPER PRODUCT RETAINER ASSEMBLY | 1 | 1183137 | 1185792 | 1185792-1 | 1185792-2 |
| 5 | UPPER PRODUCT RETAINER | 1 | ~ | 1185778 | 1181827 | 1181827-1 |
| 6 | SHORT CLIP RETAINER | 2 | ~ | 1125201 | 1125201 | 1125201 |
| 7 | LONG CLIP RETAINER | 1 | ~ | 1125202 | 1125202 | 1125202-1 |
| 8 | INNER DOOR HINGE, FEMALE | 2 | 1121286 | 1121286 | 1121286 | 1121286 |
| 9 | HINGE PIN | 1 | 1172323 | 1172323 | 1172323 | 1172323 |
| 10 | REVERSABLE VEND FLAP | 1 | 1013076 | 1013076 | 1013076 | 1013076 |
| 11 | INNER DOOR EYELET | 1 | 387273 | 387273 | 387273 | 387273 |
| 12 | GROMMET | 1 | 388090 | 388090 | 388090 | 388090 |
| 13 | INNER DOOR LATCH | 1 | 1121711 | 1121711 | 1121711 | 1121711 |
| 14 | INNER DOOR LATCH BRACKET | 1 | 1121712 | 1121712 | 1121712 | 1121712 |

FOR A COMPLETE LIST OF HARNESSSES, PLEASE SEE PAGE C-17.

V21 ADA TRADE INNER DOOR LABELS - NOT SHOWN

| MODEL NUMBER | | 521 | 621/721 / 821 |
|-------------------------------------|---------|-----------|---------------|
| DESCRIPTION | QTY REQ | PART NO. | PART NO. |
| ERROR CODE LABEL, VEC 12.1 | 1 | 1170775 | 1170775 |
| PROGRAMMING LABEL, VEC 12.1 | 1 | 1193696 | 1193696 |
| WIRING DIAGRAM LABEL, VEC 12.1/12.2 | 1 | 1127542 | 1127542 |
| PRODUCT SET UP, V21 | 1 | 1126121 | 1126121 |
| SPACE TO SALES, VEC 12.1 | 1 | 1188767 | 1188767 |
| INNER DOOR LABEL | 1 | 1125783-1 | 1125783-1 |