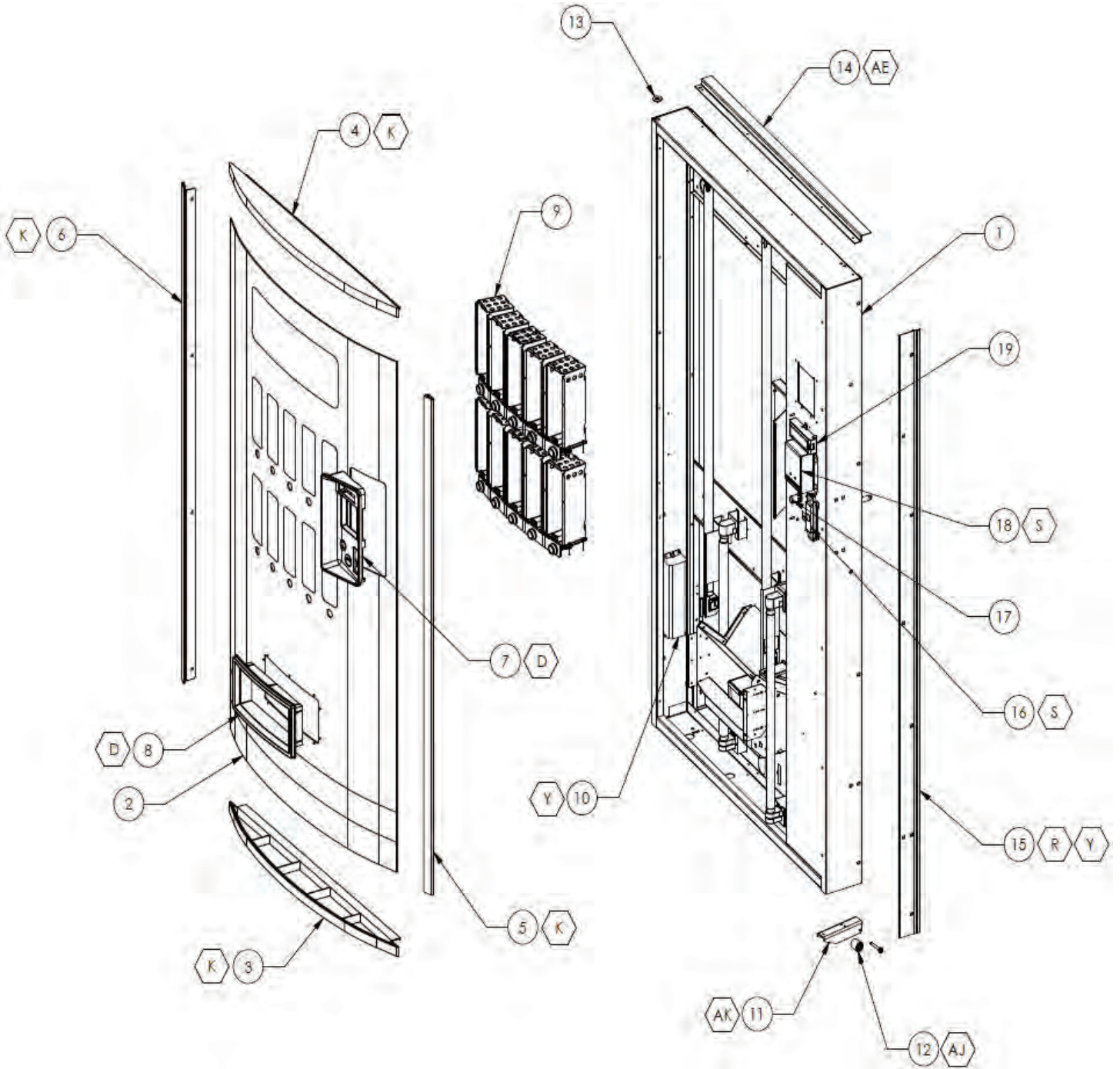




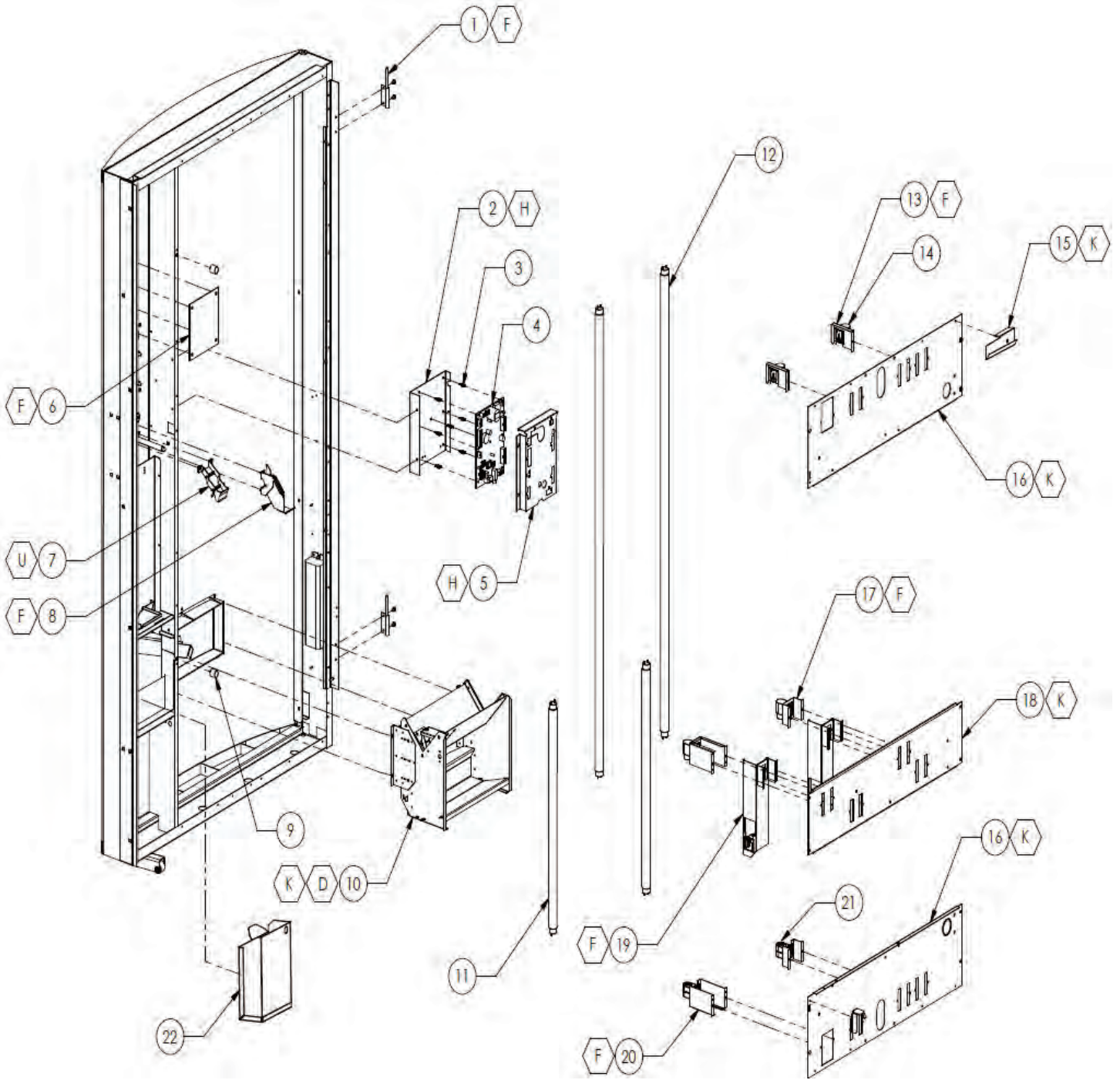
**DOOR PARTS**  
***CHAMELEON***  
***LIVE DISPLAY***



## CHAMELEON LIVE DISPLAY DOOR

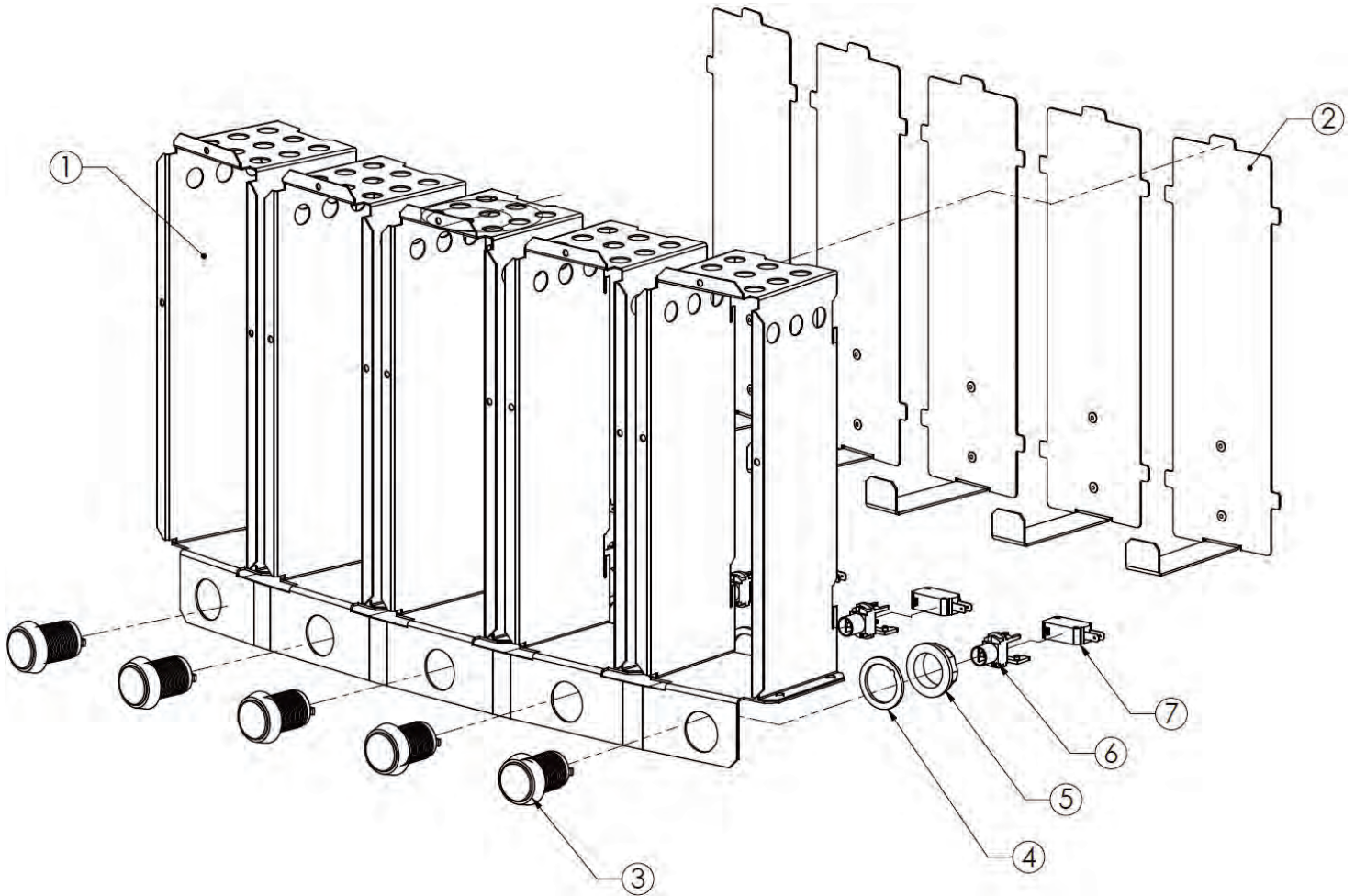
## CHAMELEON LIVE DISPLAY DOOR

ITEM NO.	MODEL NUMBER		721	821	HARDWARE
	DESCRIPTION	QTY REQ	PART NO.	PART NO.	
1	DOOR WELD	1	1123712	1123713	
2	SIGN FACE	1	**	**	
3	SIGN CAP, BOTTOM	1	1114341-1	1114341-1	K
4	SIGN CAP, TOP	1	1114341	1114341	K
5	SIGN TRIM, VTL, RIGHT, 72"	1	1143505	1143505-1	K
6	SIGN TRIM, VTL, LEFT, 72"	1	1143516	1143516-1	K
7	BEZEL, CONSUMER INTERFACE	1	1143346	1143346	D
8	TRIM EYELET, CURVE	1	388271	388271	D
9	LIVE DISPLAY ASY (SEE PG 6)	2	~	~	
10	BALLAST	1	1127052	1127052	Y
11	DOOR ROLLER BRACKET	1	1239376	1239376	V802196
12	DOOR ROLLER	1	1120388	1120388	V802162
13	BUSHING HINGE	1	388094	388094	
14	RAIN GUARD	1	2000848	2000848	AE
15	DOOR GUARD	1	2010131	2009503	R,Y
16	LOCK ASSEMBLY (SEE PG 7)	1	~	~	
17	COIN RETURN BUTTON	1	1050473	1050473	
18	COVER, DBV (OPTIONAL)	1	1144557	1144557	S
19	LENS, DISPLAY-BLUE	1	1121103	1121103	



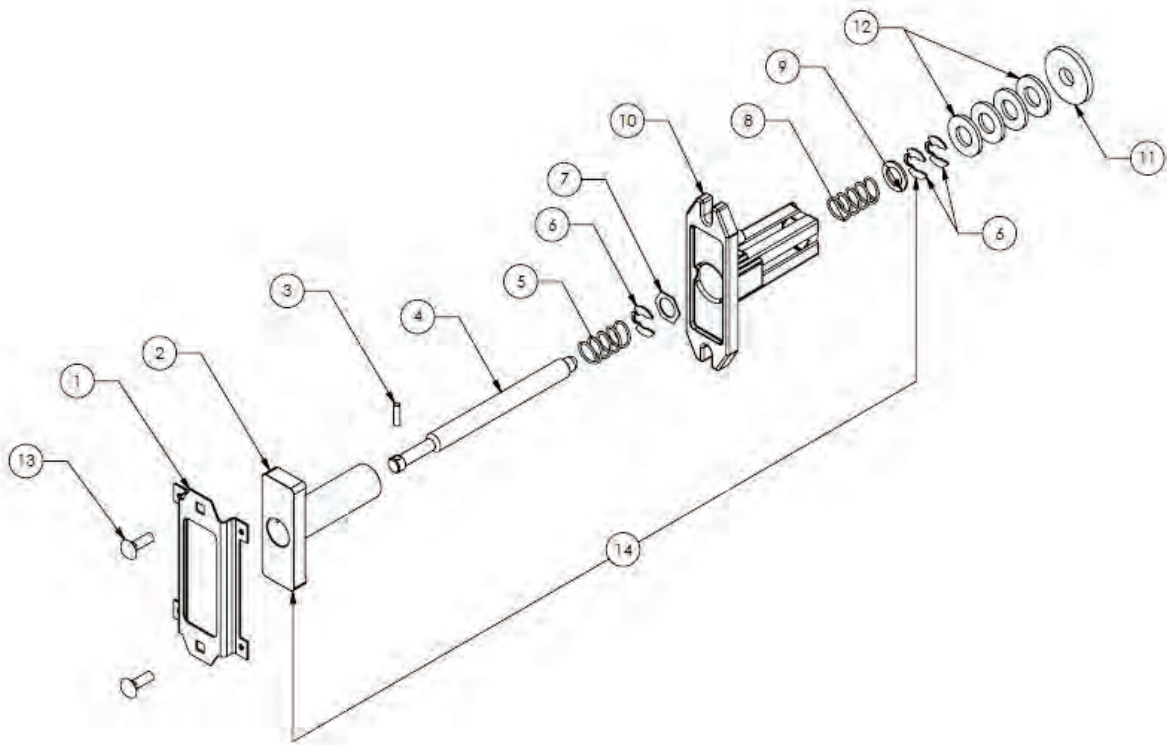
**CHAMELEON TRADE DOOR (CONTINUED)**

ITEM NO.	MODEL NUMBER		721	821	HARDWARE
	DESCRIPTION	QTY REQ	PART NO.	PART NO.	
1	HINGE – INNER DOOR, MALE	2	1121287	1121287	F
2	MOUNTING BRACKET - CONTROLLER	1	1077716	1077716	H
3	STAND OFF	7	1121740	1121740	
4	PCBA VEC 12.4 CONTROLLER	1	1167867-XX	1167867-XX	
5	PCBA COVER PANEL	1	1123049	1123049	H
6	PLATE, DBV PLUG, UPPER	1	1143498	1143498	F
7	COIN INSERT CHUTE	1	1121066	1121066	U
8	ASY,COIN RETURN LEVER	1	1182651	1182651	F
9	DOOR BUMPER	2	1036912	1036912	
10	DELIVERY HOPPER ASSEMBLY	1	1149325	1149325	D,K
11	LAMP – 17W T-8, 24"	2	1130637	1130637	
	LAMP, LED, 24"	2	1237136	1237136	
12	LAMP – 32W T-8, 48"	2	1130637-2	1130637-2	
	LAMP, LED, 48"	2	1237136-1	1237136-1	
13	BKT, LIGHT, UPPER	2	1150387	~	
14	BULB, HOLDER, PLUNGER	4	1151265	1151265	
15	RAIN GUTTER	1	1121204	1121204	K
16	PNL, SHR, LWR, 39" 4-BLB	1	1238949	1238949	K
	PNL, SHR, LWR, 39" 4-BLB	1	1238868	1238868	
17	LAMP BRACKET LOWER PROFILE	4	1151367	1151367	F
18	PNL, SHR, MIDDLE	1	1122308	1122308	
19	LAMP EXTENSION BRACKET	2	1150259	~	
20	BRKT, LAMP, HO, EXT	2	1143528	1143528	
21	BULB HOLDER, FIXED	4	1151253	1151253	
22	COIN BOX	1	1088058	1088058	



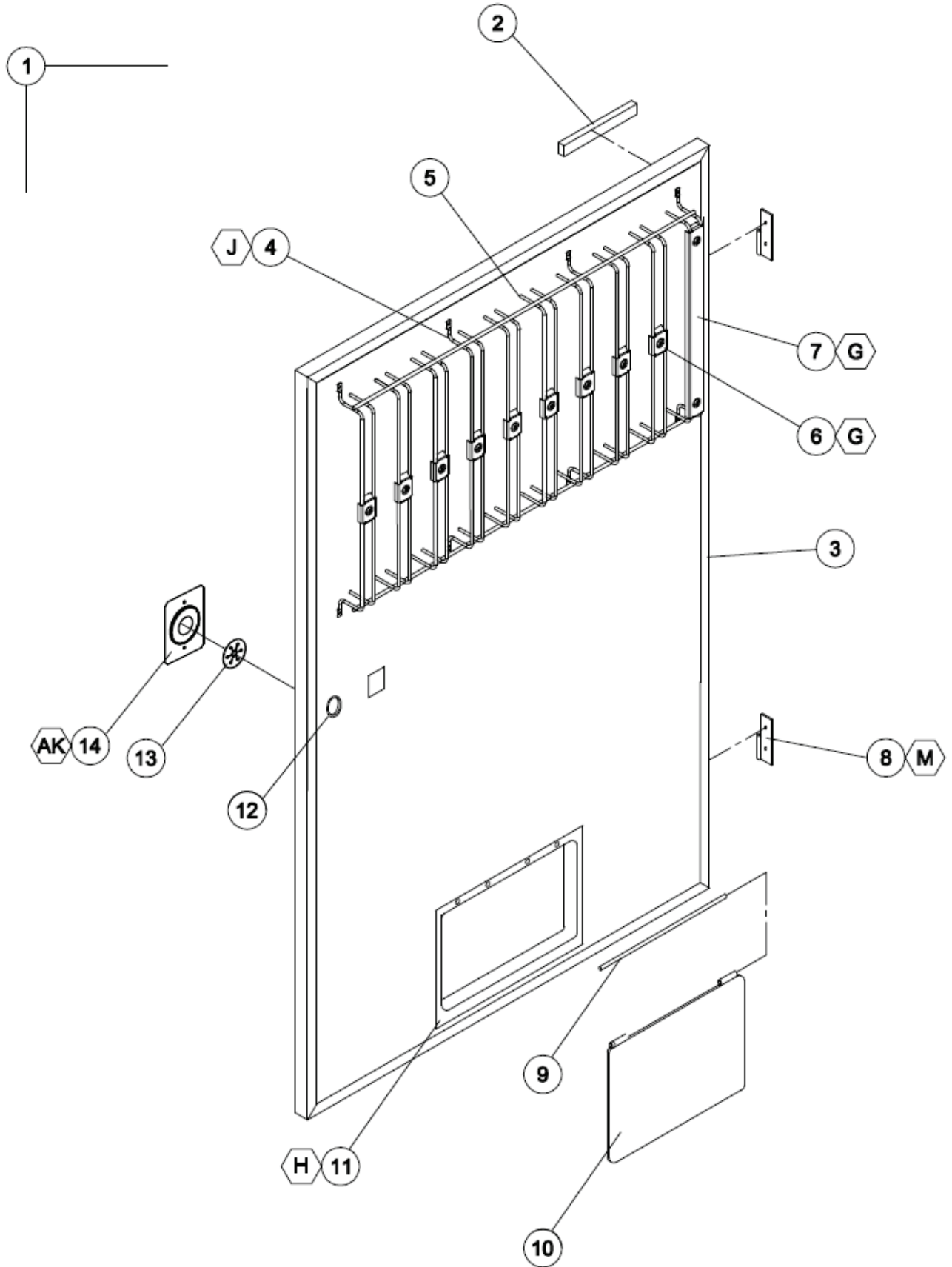
### CHAMELEON LIVE DISPLAY ASSEMBLY

ITEM NO.	DESCRIPTION	QTY REQ	PART NO.
1	FRAME ASSEMBLY	1	1147716
2	BACK ASSEMBLY	5	1147728
3	BUTTON, ROUND	5	1149374
4	WASHER, PLASTIC	5	1073511
5	NUT, PLASTIC	5	1073538
6	HOLDER, SELECTION SWITCH	5	1149385
7	SELECTION SWITCH	5	368299



### CHAMELEON LIVE DISPLAY LOCK ASSEMBLY

ITEM NO.	DESCRIPTION	QTY REQ	PART NO.
1	BRKT, SECURITY, LOCK	1	1143402
2	T-HANDLE	1	1002392
3	PIN - STUD	1	387601
4	LOCK STUD - QUICKER LOCK	1	1049724
5	SPRING	1	389691
6	E - RING RETAINER	3	388589
7	HEX WASHER	1	387600
8	SPRING - HEAVY	1	389691
9	FLAT WASHER	1	387718
10	T-HANDLE - FLANGE	1	1002384
11	VAPOR SEAL	1	388132
12	WASHER 1/2"	4	V801023
13	1/4" X 3/4" CARRIAGE BOLT	1	V801434
14	T - HANDLE ASSY.	1	1002635



V21 Door Parts Chameleon Live Display | D3-8



## V21 TRADE INNER DOOR

ITEM NO.	MODEL NUMBER		721	821
	DESCRIPTION	QTY REQ	PART NO.	PART NO.
1	INNER DOOR ASSEMBLY	1	134302-103	134302-104
2	RAIN SEAL, INNER DOOR, 7"	1	1111732-2	1111732-2
3	INNER DOOR SEAL	1	1075678	1075678-1
4	UPPER PRODUCT RETAINER ASSEMBLY	1	1125206-1	1125206-2
5	UPPER PRODUCT RETAINER	1	1124285	1124285-1
6	SHORT CLIP ASSEMBLY	9	1125261	1125261
7	LONG CLIP ASSEMBLY	1	1125262	1125263
8	INNER DOOR HINGE, FEMALE	2	1121286	1121286
9	HINGE PIN	1	1172323	1172323
10	REVERSABLE VEND FLAP	1	1013076	1013076
11	INNER DOOR EYELET	1	387273	387273
12	GROMMET	1	388090	388090
13	INNER DOOR LATCH	1	1121711	1121711
14	INNER DOOR LATCH BRACKET	1	1121712	1121712

FOR A COMPLETE LIST OF HARNESSSES, PLEASE SEE PAGE C-17.

## V21 TRADE INNER DOOR LABELS - NOT SHOWN

DESCRIPTION	QTY REQ	PART NO.
ERROR CODE LABEL, VEC 12.1	1	1123715
PROGRAMMING LABEL, VEC 12.1	1	1123343
WIRING DIAGRAM LABEL, VEC 12.1/12.2	1	1127542
PRODUCT SET UP, V21	1	1126121
SPACE TO SALES, VEC 12.1	1	1128991
INNER DOOR LABEL	1	1125783-1