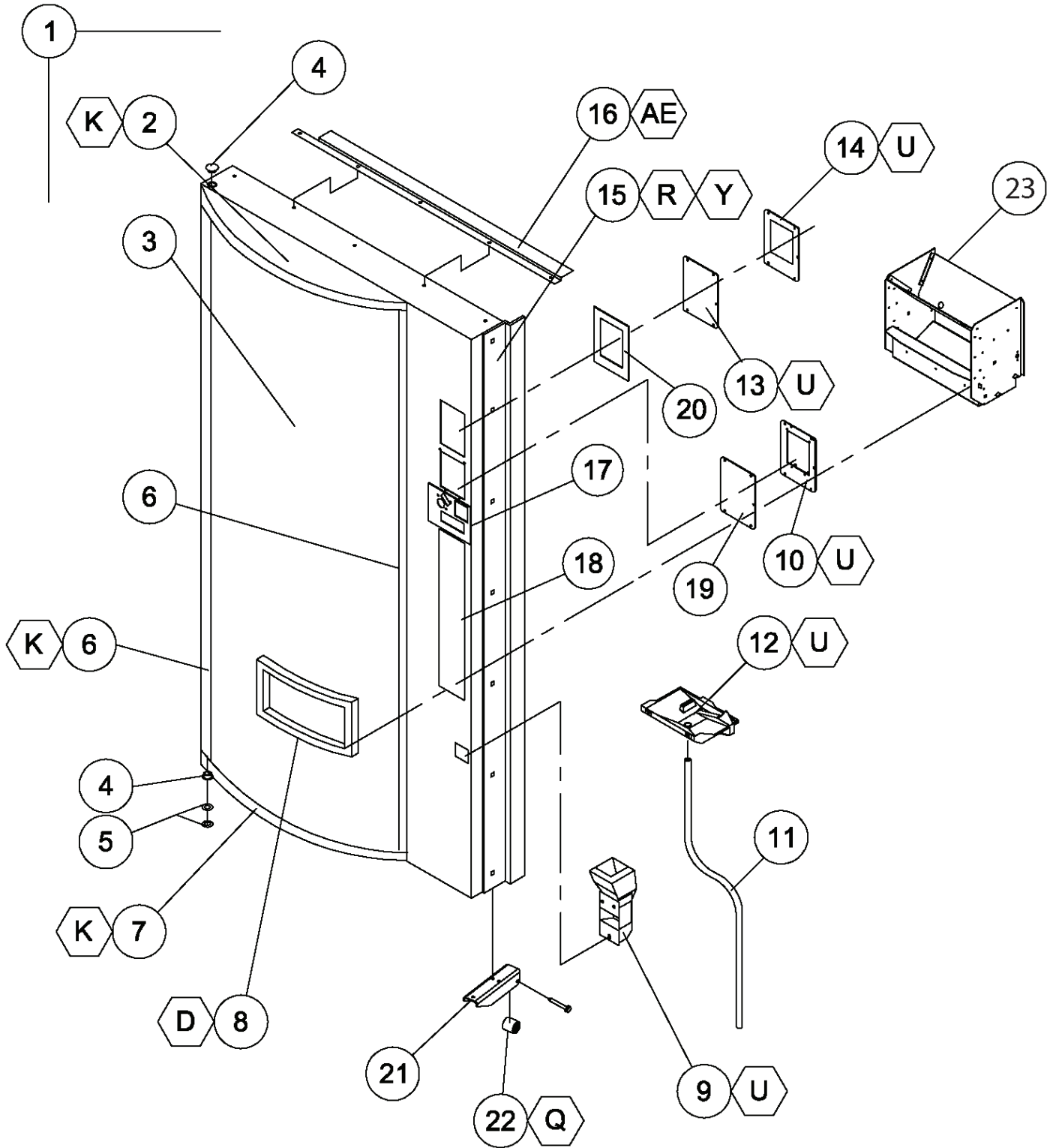




DOOR PARTS
TRADE



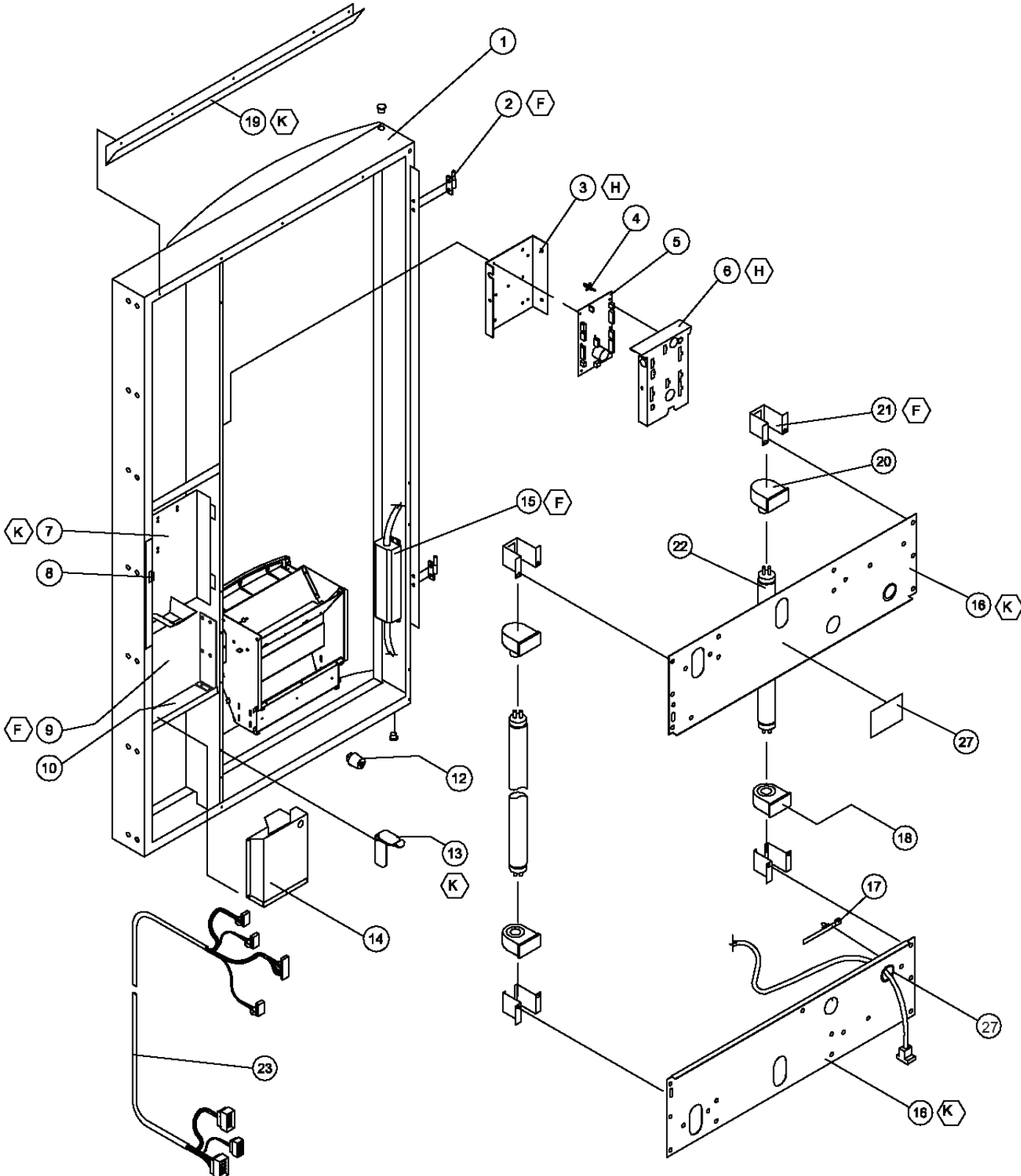
V21 TRADE OUTER DOOR – CURVED

ITEM NO.	MODEL NUMBER		721	821
	DESCRIPTION	QTY REQ	PART NO.	PART NO.
*1	OUTER DOOR ASSEMBLY	1	1148435-007	1148435-008
2	SIGN CAP – TOP	1	1014986	1014986
**3	SIGN FACE	1	**	**
4	BUSHING HINGE	2	388094	388094
5	FLAT WASHER 3/8" – BOTTOM	2	V801491	V801491
6	SIGN TRIM – LEFT AND RIGHT	2	388125-2B	388125B
7	SIGN CAP – BOTTOM	1	1068988	1068988
8	EYELET TRIM	1	388271	388271
9	COIN RETURN CUP	1	1079546	1079546
10	DBV PLUG GATE	1	1089597	1089597
11	DRAIN TUBE	1	1110619	1110619
12	WATER COLLECTION PLATE	1	1110562	1110562
13	DBV PLUG PLATE – UPPER	1	1089597	1089597
14	DBV MOUNT PLATE – UPPER	1	1089619	1089619
15	DOOR GUARD	1	2010131	2009503
16	RAIN GUARD	1	2000848	2000848
17	LOCK ASSEMBLY (SEE PAGE TD-8 – TD-9)	1	~	~
18	SELECTION PANEL (SEE PAGE TD-10 – TD-11)	1	~	~
19	DBV GASKET – LOWER	1	1086759	1086759
20	DBV GASKET – UPPER	1	1120606	1120606
21	DOOR ROLLER BRACKET	1	1239376	1239376
22	DOOR ROLLER	1	1120388	1120388
23	ANTI-VANDAL HOPPER	1	1124314	1124314

FOR A COMPLETE LIST OF HARNESES, PLEASE SEE PAGE C-15.

*NOTE: WHEN ORDERING OUTER DOOR ASSEMBLY, PLEASE PROVIDE **9-CODE** OR **11-CODE** AND **MANUFACTURER'S DATE CODE**.

NOTE: WHEN ORDERING SIGN FACE, PLEASE PROVIDE **FRANCHISE AND **STYLE**.



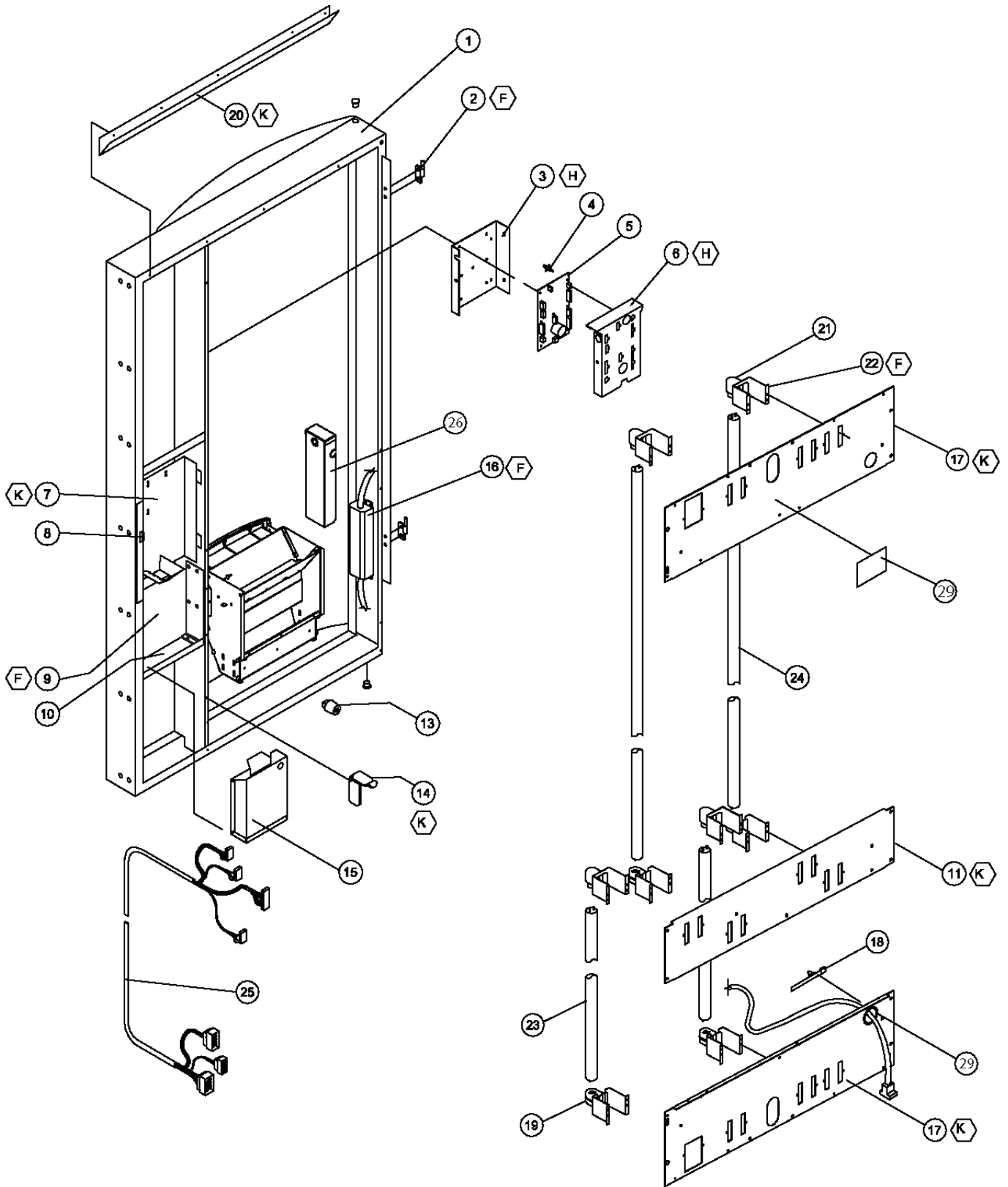
V21 TRADE OUTER DOOR – 2 BULB LIGHTING

ITEM NO.	MODEL NUMBER		621	721	821
	DESCRIPTION	QTY REQ	PART NO.	PART NO.	PART NO.
1	DOOR WELD – BLACK	1	1121232	1123712	1123713
2	HINGE – INNER DOOR, MALE	2	1121287	1121287	1121287
3	MOUNTING BRACKET - CONTROLLER	1	1124704	1124704	1124704
4	STAND OFF	7	1121740	1121740	1121740
5	PCBA VEC 12.1 CONTROLLER	1	1123051-12.1	1123051-12.1	1123051-12.1
6	COVER PANEL	1	1123049	1123049	1123049
7	COIN DOOR ASSEMBLY	1	1081155	1081155	1081155
8	LATCH – COINAGE DOOR	1	1085546	1085546	1085546
9	BARRIER PANEL	1	1148198	1148198	1148198
10	BULKHEAD COIN BOX SUPPORT	1	1197689	1197689	1200135
11	SHEAR PANEL – MIDDLE (FLAT DOOR) – (NP)	1	1120713	1120713	~
12	DOOR BUMPER	2	1036912	1036912	1036912
13	RAMP/CATCH – INNER DOOR	1	1121714	1121714	1121714
14	COIN BOX ASSEMBLY	1	1088058	1088058	1088058
15	BALLAST, 2-3 LAMP, 120/277V, 50/60HZ	1	1127582	1127582	1127582
16	SHEAR PANEL – LOWER	1	~	1123915	1238949
	SHEAR PANEL – UPPER	1		1241672	1238868
17	HARNESS TIE	3	1088864	1088864	1088864
18	LAMP HOLDER - FIXED, MEDIUM BI-PIN	2	1151253	1151253	1151253
19	RAIN GUTTER	1	1121204	1121204	1121204
20	LAMP HOLDER - PLUNGER, MEDIUM BI-PIN	2	1151265	1151265	1151265
21	BRACKET - LAMPHOLDER	4	1122305	1122305	1122305
22	LAMP T8,40W,5 FT	2	1130637-3	1130637-3	1130637-3
	LAMP, LED, 5 FT	2	1237136-2	1237136-2	1237136-2
23	DOOR HARNESS	1	1122905	1122905	1122905
24	RAIN CURTAIN, BALLAST - (NP)	1	1121838-1	1121838-1	1121838-1
25*	RAIN CURTAIN, LIGHTS - (NP)	2	1121838	1121838	1121838
26	MDB HARNESS - (NP)	1	1124570	1124570	1124570
27	LABEL, CAUTION, T-8 LAMPS ONLY	1	1122973	1122973	1122973
28	GROMMET	1	388090	388090	388090
29*	BALLAST, 230V, 50HZ - (NP)	1	1121313	1121313	1121313
30	SHEAR PANEL, LWR (621 FLAT DOOR) - (NP)	1	1123925	~	~
31	SHEAR PANEL, UPR (621 FLAT DOOR) - (NP)	1	1123669	~	~

NOTE: FOR A COMPLETE LIST OF HARNESSES, PLEASE SEE PAGE C-15.

NOTE: (NP) – NOT PICTURED

*EARLY PRODUCTION AND INTERNATIONAL UNITS (PRE-2011)



V21 Door Parts Trade | D4-6

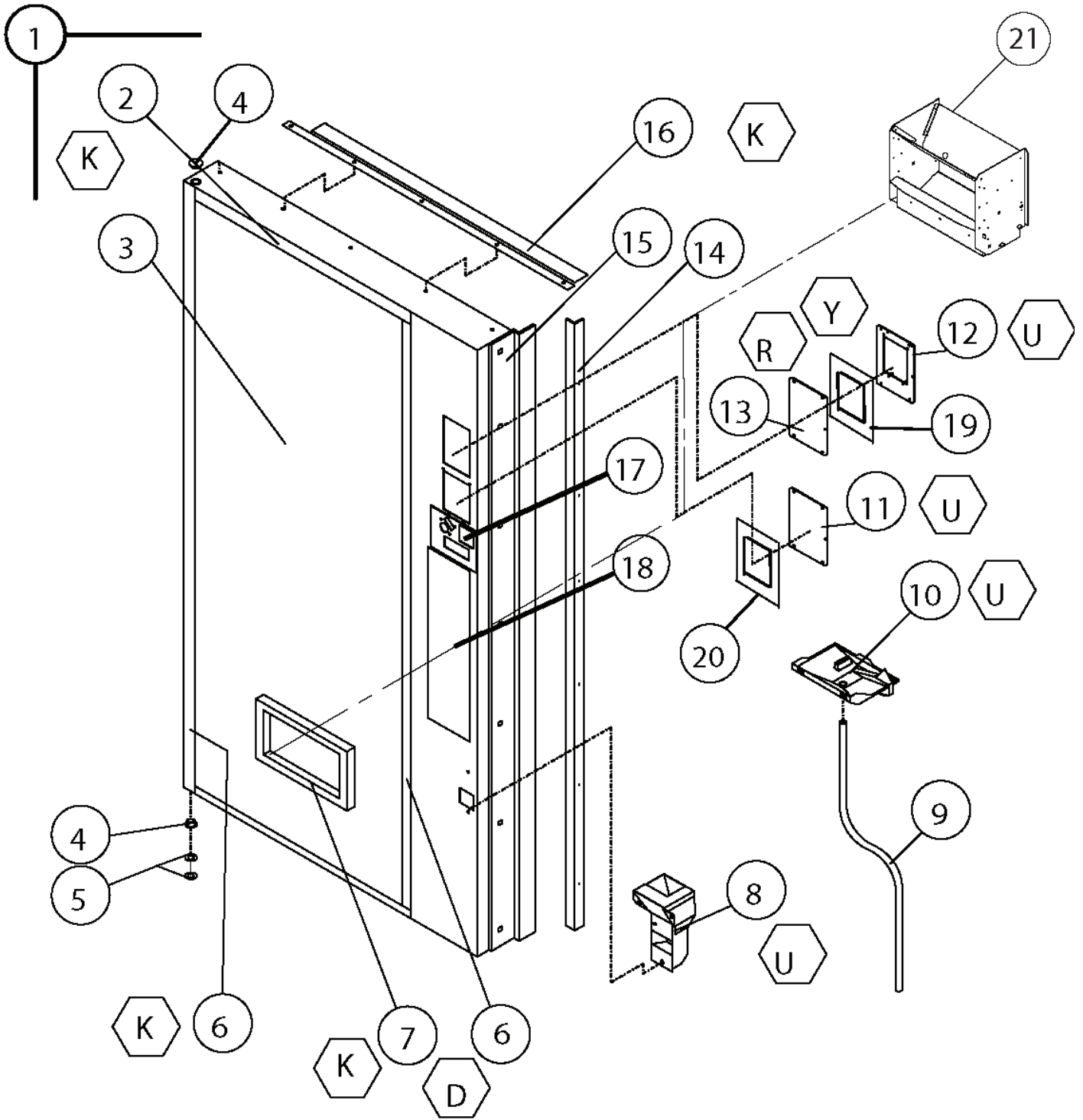
V21 ADA TRADE OUTER DOOR - 4 BULB LIGHTING

ITEM NO.	MODEL NUMBER		621	721	821
	DESCRIPTION	QTY REQ	PART NO.	PART NO.	PART NO.
1	DOOR WELD - BLACK	1	1121232	1123712	1123713
2	HINGE - INNER DOOR, MALE	2	1121287	1121287	1121287
3	MOUNTING BRACKET - CONTROLLER	1	1124704	1124704	1124704
4	STAND OFF	7	1121740	1121740	1121740
5	PCBA VEC 12.1 CONTROLLER	1	1123051-12.1	1123051-12.1	1123051-12.1
6	COVER PANEL	1	1123049	1123049	1123049
7	COIN DOOR ASSEMBLY	1	1081155	1081155	1081155
8	LATCH - COINAGE DOOR	1	1085546	1085546	1085546
9	BARRIER PANEL	1	1148198	1148198	1148198
10	BULKHEAD COIN BOX SUPPORT	1	1197689	1197689	1200135
11	SHEAR PANEL - MIDDLE (FLAT DOOR) - (NP)	1	1120713	1120713	~
	SHEAR PANEL - MIDDLE, 4-BULB T-8	1	~	1122308	1122308
12	DOOR BUMPER	2	1036912	1036912	1036912
13	RAMP/CATCH - INNER DOOR	1	1121714	1121714	1121714
14	COIN BOX ASSEMBLY	1	1088058	1088058	1088058
15	BALLAST, 3-4 LAMP, 120/277V, 50/60HZ	1	1127052	1127052	1127582
16	SHEAR PANEL – LOWER	1	~	1123915	1238949
	SHEAR PANEL – UPPER	1	~	1241672	1238868
17	HARNESS TIE	3	1088864	1088864	1088864
18	LAMP HOLDER - FIXED, MEDIUM BI-PIN	4	1151253	1151253	1151253
19	RAIN GUTTER	1	1121204	1121204	1121204
20	LAMP HOLDER - PLUNGER, MEDIUM BI-PIN	4	1151265	1151265	1151265
21	BRACKET - LAMPHOLDER	8	1122305	1122305	1122305
22	LAMP - 17W T-8, 24"	2	~	1130637	1130637
	LAMP, LED, 24"	2	~	1217228	1217228
23	LAMP - 32W T-8, 48"	2	~	1121173-2	1121173-2
	LAMP, LED, 48"	2	~	1217228-1	1217228-1
24	DOOR HARNESS	1	1122905	1122905	1122905
25*	RAIN COVER BRACKET, BALLAST	1	1125150	1125150	1125150
26	RAIN CURTAIN, LIGHTS - (NP)	2	1121838	1121838	1121838
27	MDB HARNESS - (NP)	1	1124570	1124570	1124570
28	LABEL, CAUTION, T-8 LAMPS ONLY	1	1122973	1122973	1122973
29*	GROMMET	1	388090	388090	388090
30	BALLAST, 230V, 50HZ - (NP)	1	1121313	1121313	1121313
31	SHEAR PANEL, LWR (621 FLAT DOOR) - (NP)	1	1123925	~	~
32	SHEAR PANEL, UPR (621 FLAT DOOR) - (NP)	1	1123669	~	~

NOTE: FOR A COMPLETE LIST OF HARNESSES, PLEASE SEE PAGE C-15.

NOTE: (NP) – NOT PICTURED

*EARLY PRODUCTION AND INTERNATIONAL UNITS (PRE-2011)

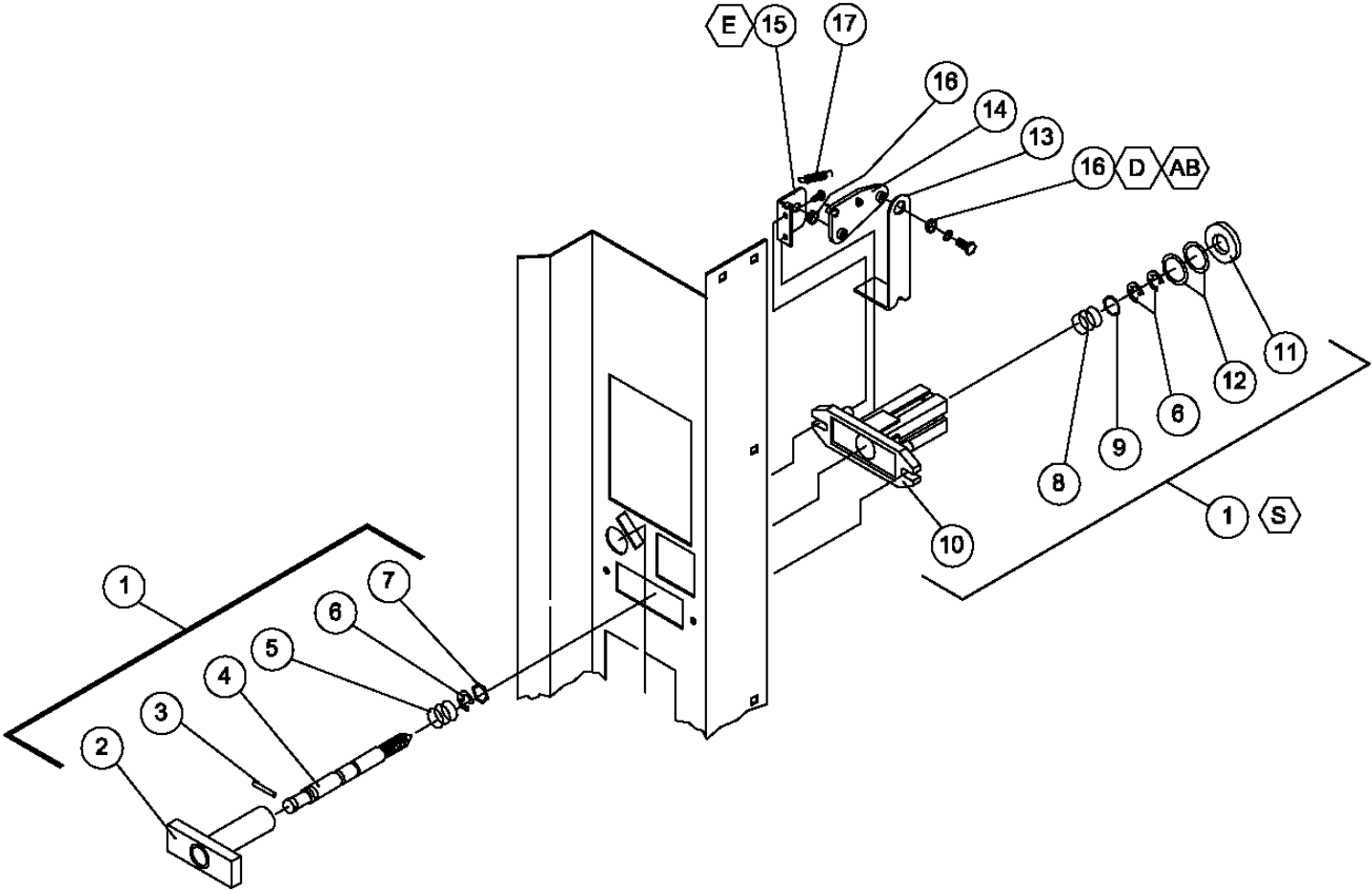


V21 TRADE OUTER DOOR (FLAT)

ITEM NO.	MODEL NUMBER		621	721
	DESCRIPTION	QTY REQ	PART NO.	PART NO.
1	OUTER DOOR ASSEMBLY	1	*	*
2	SIGN TRIM - TOP/BOTTOM	2	388284-20	388284-21
3**	SIGN FACE	1	**	**
4	BUSHING HINGE	2	388094	388094
5	FLAT WASHER - BOTTOM	2	V801491	V801491
6	SIGN TRIM - SIDE	1	388284-1B	388284-1B
7	EYELET TRIM	1	387125	1124071
8	COIN RETURN CUP ASSEMBLY	1	1079546	1079546
9	DRAIN TUBE	1	1110619	1110619
10	WATER COLLECTION TRAY	1	1110562	1110562
11	DBV PLUG - LOWER	1	1089597	1089597
12	DBV MOUNT PLATE - UPPER	1	1089619	1089619
13	DBV PLUG PLATE - UPPER	1	1089597	1089597
14	RETAINER - SIGN FACE	1	1087988	1087988
15	DOOR GUARD	1	2010131	2010131
16	RAIN GUARD	1	2000848	2005937-2
17	LOCK ASSEMBLY (REFER TO TD-14 - TD-15)	1	~	~
18	SELECTION PANEL (REFER TO TD-16 - TD-17)	1	~	~
19	DBV GASKET - UPPER	1	1120606	1120606
20	DBV GASKET - LOWER	1	1086759	1086759
21	ANTI-VANDAL HOPPER	1	1124157	1124157

*NOTE: WHEN ORDERING OUTER DOOR ASSEMBLY, PLEASE PROVIDE **9-CODE** AND **MANUFACTURER'S DATE CODE**.

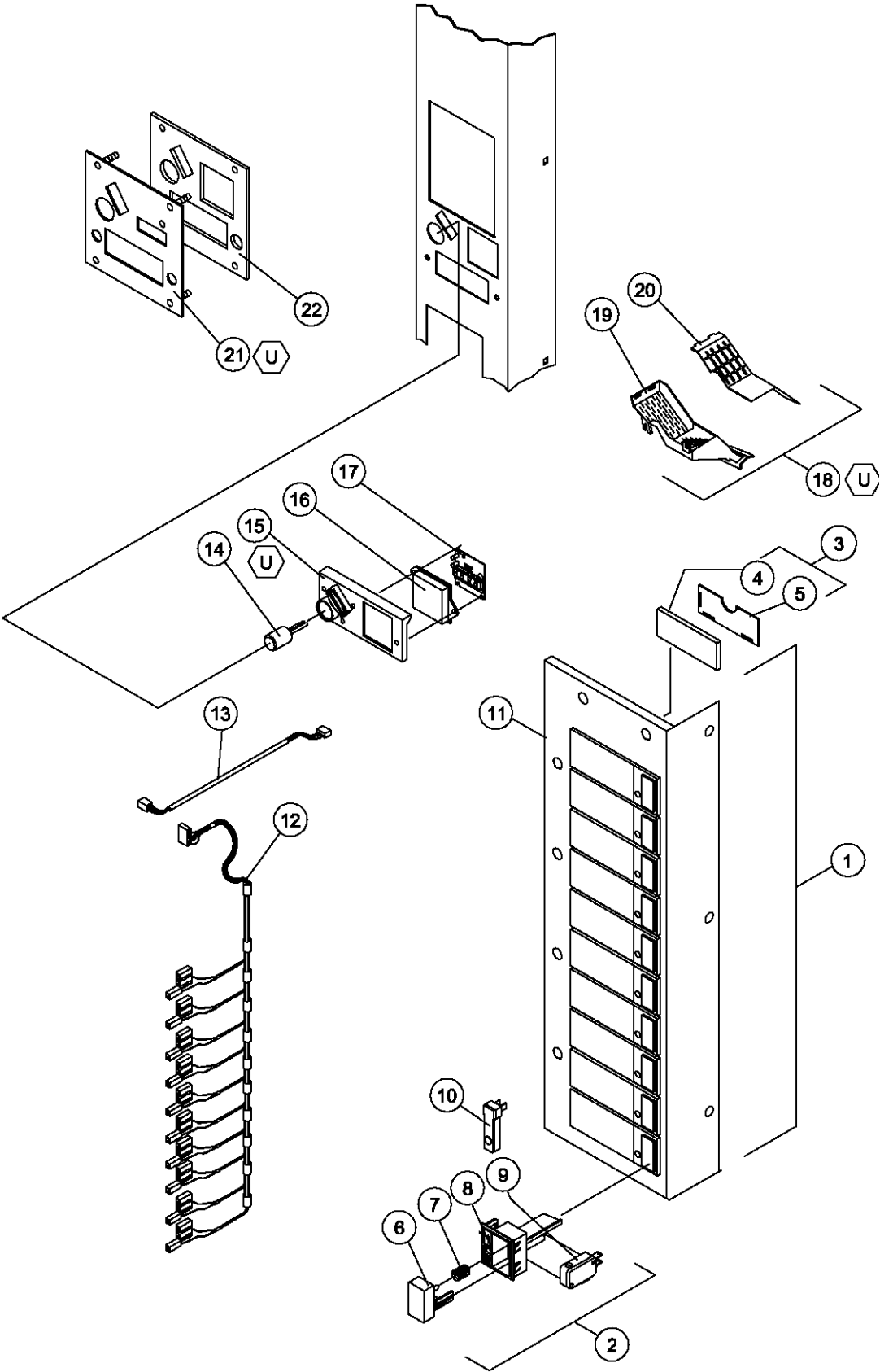
NOTE: WHEN ORDERING SIGN FACE, PLEASE PROVIDE **FRANCHISE AND **STYLE**.



V21 TRADE LOCK ASSEMBLY

ITEM NO.	DESCRIPTION	QTY REQ	PART NO.
1	LOCK ASSEMBLY - QUICKER LOCK	1	1002635
2	T-HANDLE	1	1002392
3	PIN - STUD	1	387601
4	LOCK STUD - QUICKER LOCK	1	1049724
5	SPRING	1	389691
6	E-RING RETAINER	3	388589
7	HEX WASHER	1	387600
8	SPRING - HEAVY	1	389691
9	FLAT WASHER	1	387718
10	FLANGE	1	1002384
11	VAPOR SEAL	1	388132
12	WASHER 1/2	2	V801023
13	LEVER - COIN RETURN	1	1052619
14	CRANK - COIN RETURN LEVER	1	1002244
15	PIVOT BRACKET - COIN RETURN	1	1002252
16	BUSHING	2	385603-4
17	SPRING - COIN RETURN LEVER	1	1060023

FOR A COMPLETE LIST OF HARNESSSES, PLEASE SEE PAGE C-15.



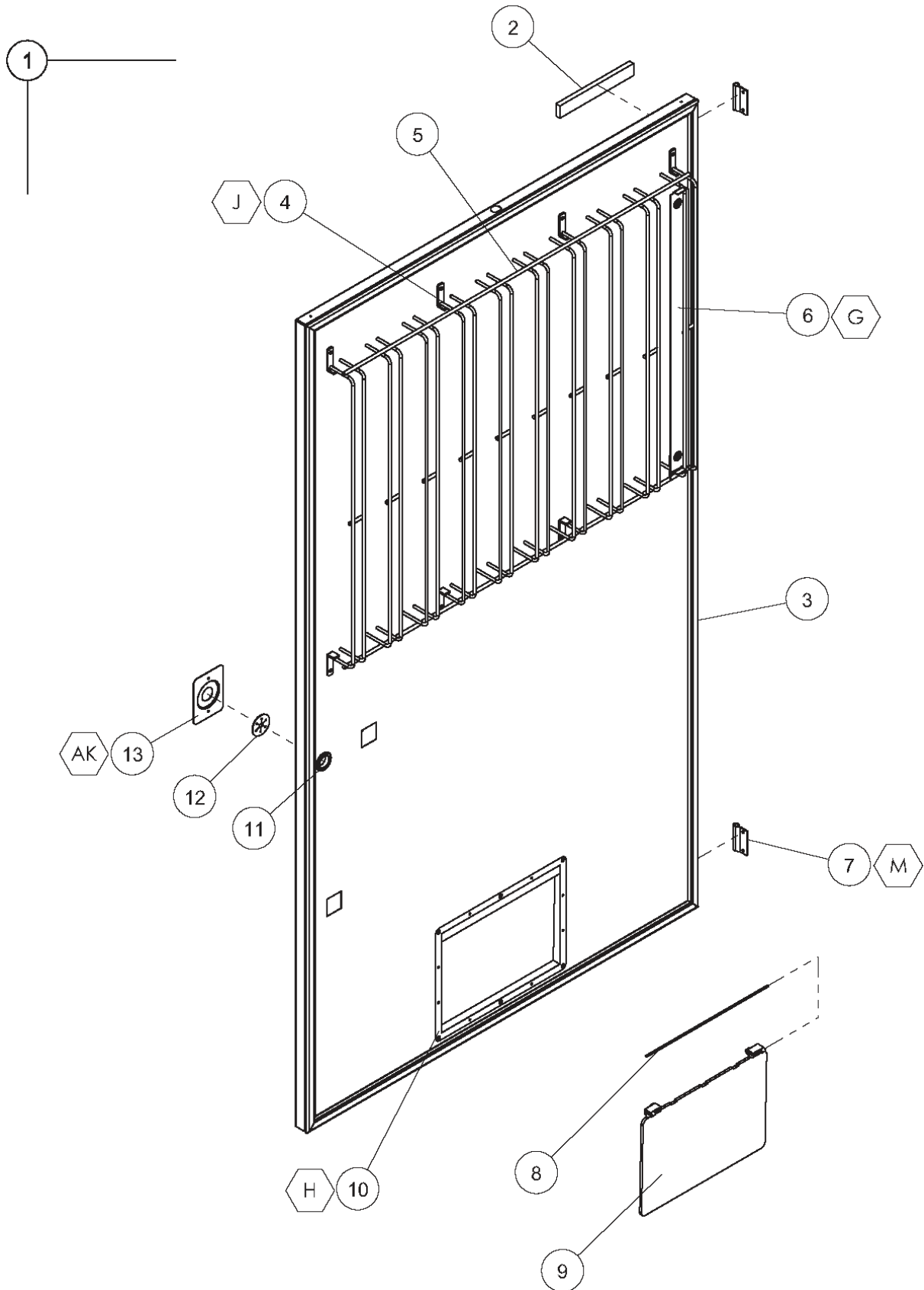
V21 Door Parts Trade | D4-12

V21 TRADE SELECTION PANEL

ITEM NO.	MODEL NUMBER	621		721/821	
	DESCRIPTION	QTY REQ	PART NO.	QTY REQ	PART NO.
1	SELECTION PANEL ASSEMBLY-TRADE CURVE/FLAT (10/8 SELECT)	1	2007325-013	1	2007325-011
2	SELECTION WINDOW & BUTTON ASSEMBLY	8	1036203	10	1036203
3	SELECTION WINDOW ASSEMBLY	8	133431	10	133431
4	SELECTION WINDOW	8	388223	10	388223
5	SELECTION WINDOW - BACK	8	388116	10	388116
6	SELECTION BUTTON	8	1116775	10	1116775
7	SELECTION SPRING	8	388858	10	388858
8	BUTTON HOUSING	8	1006932	10	1006932
9	SELECTION SWITCH	8	368299	10	368299
10	SOLD-OUT PLUG	8	1006975-1	10	1006975-1
11	SELECTION PANEL	1	2010183	1	2010158
12	SELECTION HARNESS	1	1117872	1	1111287
13	DISPLAY HARNESS	1	1126164	1	1126164
14	COIN RETURN BUTTON	1	1050473	1	1050473
15	COIN INSERT/RETURN GUIDE PLATE	1	2001481	1	2001481
16	DISPLAY LENS	1	1141039	1	1141039
17	DIGITAL DISPLAY PCB - ELECTRONIC	1	1132544	1	1132544
18	COIN CHUTE ASSEMBLY	1	1034154	1	1034154
19	COIN CHUTE	1	1002333	1	1002333
20	CHUTE COVER	1	1002341	1	1002341
21*	COIN INSERT PLATE	1	--	1	--
22	COIN INSERT SECURITY PLATE	1	2001481	1	2001481

FOR A COMPLETE LIST OF HARNESSES, PLEASE SEE PAGE C-15.

* NOTE: WHEN ORDERING COIN INSERT PLATE, PLEASE SPECIFY **STYLE**.



V21 TRADE INNER DOOR

ITEM NO.	MODEL NUMBER		621	721	821
	DESCRIPTION	QTY REQ	PART NO.	PART NO.	PART NO.
1	INNER DOOR ASSEMBLY	1	134302-115	134302-103	134302-104
2	RAIN SEAL, INNER DOOR, 7"	1	1111732-2	1111732-2	1111732-2
3	INNER DOOR SEAL	1	1075678-2	1075678	1075678-1
4	UPPER PRODUCT RETAINER ASSEMBLY	1	1185792	1185792-1	1185792-2
5	UPPER PRODUCT RETAINER	1	1185778	1181827	1181827-1
6	LONG CLIP RETAINER	1	1125202	1125202	1125202-1
7	INNER DOOR HINGE, FEMALE	2	1121286	1121286	1121286
8	HINGE PIN	1	389192	389192	389192
9	REVERSABLE VEND FLAP	1	1013076	1013076	1013076
10	INNER DOOR EYELET	1	387273	387273	387273
11	GROMMET	1	388090	388090	388090
12	INNER DOOR LATCH	1	1121711	1121711	1121711
13	INNER DOOR LATCH BRACKET	1	1121712	1121712	1121712

FOR A COMPLETE LIST OF HARNESSSES, PLEASE SEE PAGE C-15.

V21 TRADE INNER DOOR LABELS - NOT SHOWN

MODEL NUMBER		621 / 721 / 821
DESCRIPTION	QTY REQ	PART NO.
ERROR CODE LABEL, VEC 12.1	1	1123715
PROGRAMMING LABEL, VEC 12.1	1	1123343
WIRING DIAGRAM LABEL, VEC 12.1/12.2	1	1127542
PRODUCT SET UP, V21	1	1126121
SPACE TO SALES, VEC 12.1	1	1128991
INNER DOOR LABEL	1	1125783-1