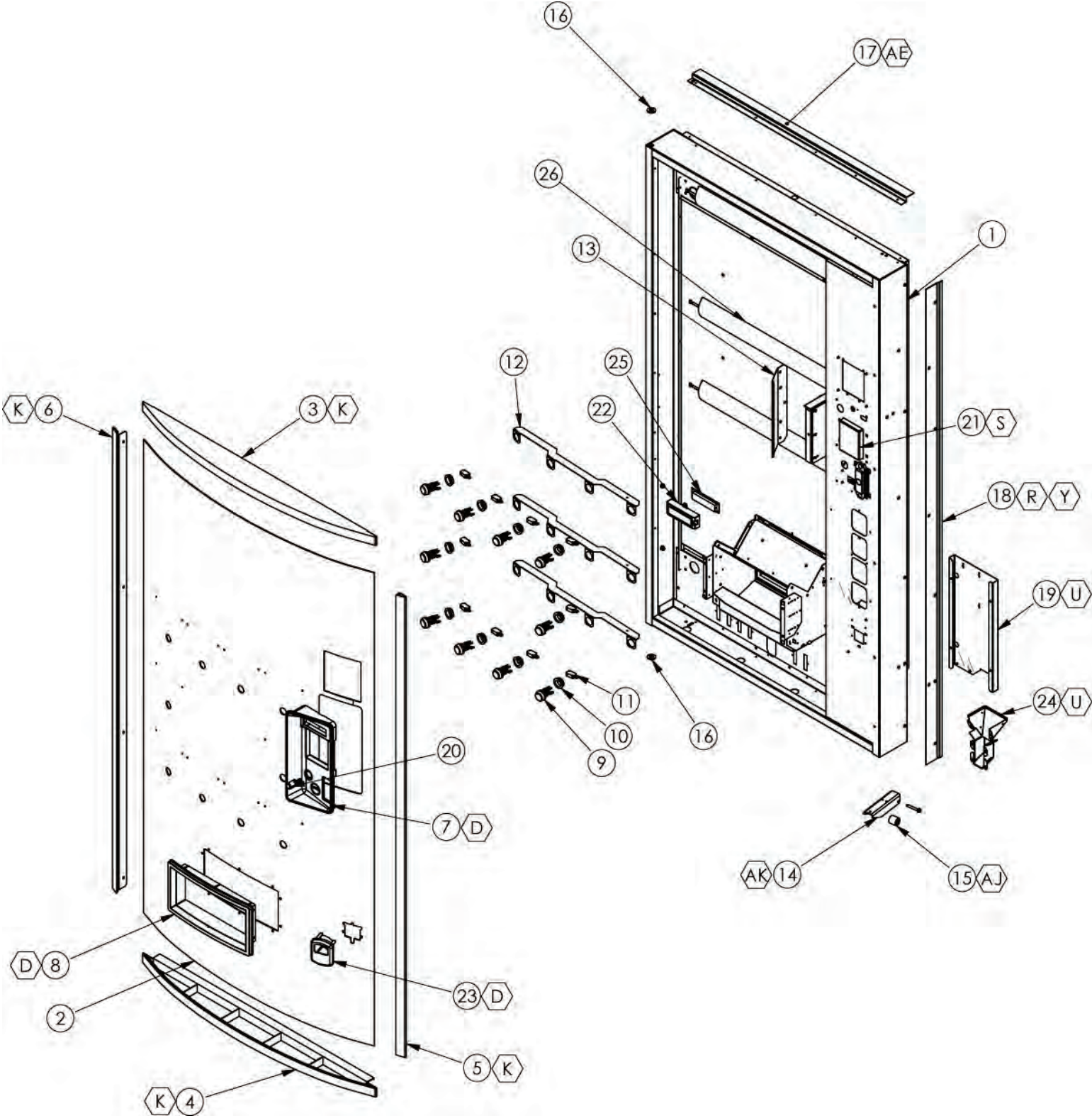




**DOOR PARTS**  
***HV3 ADA***



V21 Door Parts HV3 ADA | D7-2

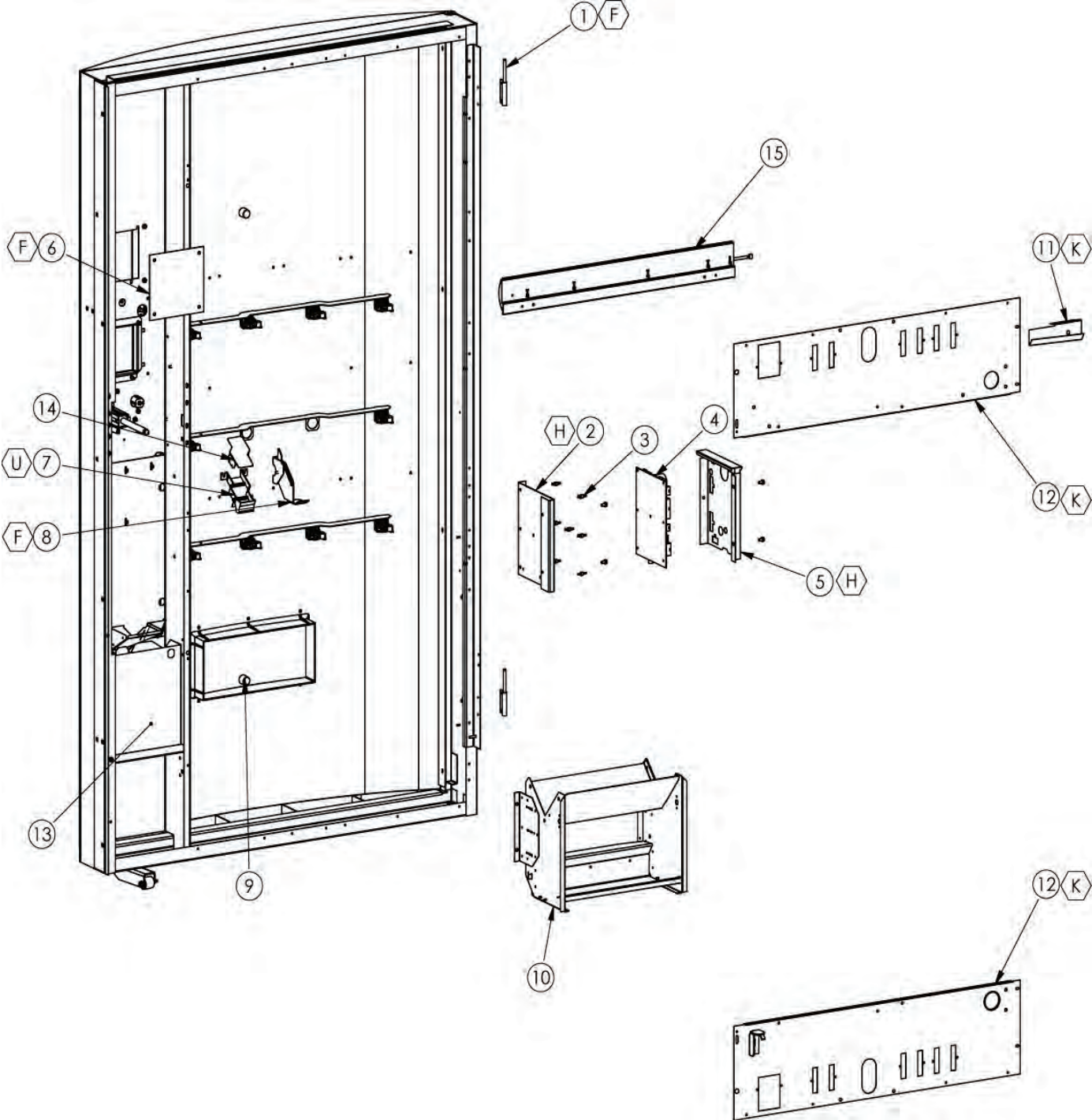
### HV3 OUTER DOOR – CURVED

ITEM NO.	MODEL NUMBER	721		821		HARDWARE
	DESCRIPTION	QTY REQ	PART NO.	QTY REQ	PART NO.	
1	DOOR WELD	1	134442-257	1	134442-258	
2	SIGN FACE	1	**	1	**	
3	SIGN CAP, TOP	1	1114341	1	1114341	K
4	SIGN CAP, BOTTOM	1	1114341-1	1	1114341-1	
5	SIGN TRIM, VTL, RIGHT, 72"	1	1149889	1	1150455	K
6	SIGN TRIM, VTL, LEFT, 72"	1	1143516	1	1150466	K
7	BEZEL, CONSUMER INTERFACE	1	1143346	1	1143346	D
8	TRIM EYELET, CURVE	1	388271	1	388271	D
9	BUTTON ASY, ROUND, CHAMELEON	10	1149374	10	1149374	
10	PLASTIC NUT	10	1073538	10	1073538	
11	SELECTION SWITCH	10	368299	10	368299	
12	BRACKET, SIGN FACE	3	1204888	3	1204888	H
13	SUPPORT BRACKET	1	1143486	1	1143486	
14	DOOR ROLLER BRACKET	1	1239376	1	1239376	V802196
15	DOOR ROLLER	1	1120388	1	1120388	V802162
16	BUSHING HINGE	2	388094	2	388094	
17	RAIN GUARD	1	2000848	1	2000848	
18	DOOR GUARD	1	2010131	1	2009503	AE
19	COIN SUPPORT PLATE	1	1143475	1	1143475	H
20	COIN RETURN BUTTON	1	1050473	1	1050473	
21	COVER, DBV (OPTIONAL)	1	1144557	1	1144557	
22	LENS, DISPLAY-BLUE	1	1121103	1	1121103	S
23	COIN RETURN BEZEL	1	1170855-1	1	1170855-1	D
24	COIN RETURN CUP	1	1079546	1	1079546	H
25	DISPLAY BOARDS, 2X20	1	1137414	1	1137414	
26	ASY,LED LIGHT FXTR	2	1198967	2	1198967	

FOR A COMPLETE LIST OF HARNESSSES, PLEASE SEE PAGE C-15.

\*NOTE: WHEN ORDERING OUTER DOOR ASSEMBLY, PLEASE PROVIDE **9-CODE** OR **11-CODE** AND **MANUFACTURER'S DATE CODE**.

\*\*NOTE: WHEN ORDERING SIGN FACE, PLEASE PROVIDE **FRANCHISE** AND **STYLE**.



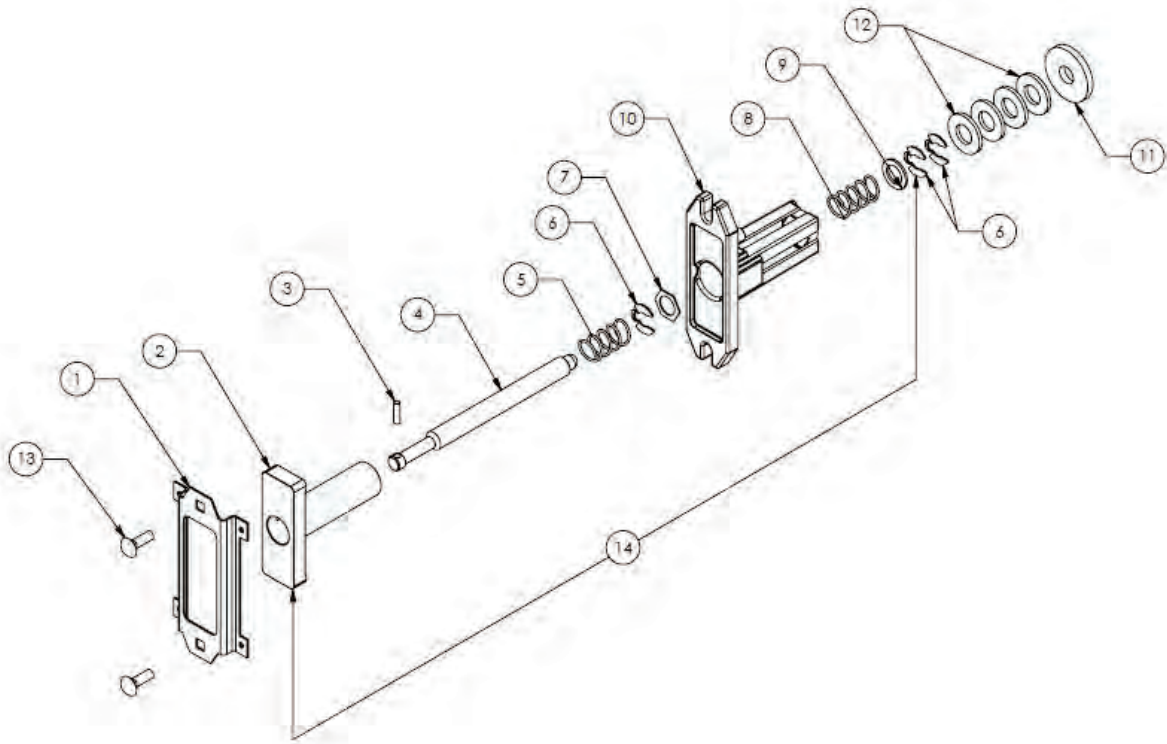
### HV3 DOOR (CONTINUED)

ITEM NO.	MODEL NUMBER	721		821		HARDWARE
	DESCRIPTION	QTY REQ	PART NO.	QTY REQ	PART NO.	
1	HINGE - INNER DOOR, MALE	2	1121287	2	1121287	F
2	FLUSH MOUNTING BRACKET - CONTROLLER	1	1202557	1	1213677	H
3	STAND OFF	7	1121740	7	1121740	
4	PCBA VEC 12.1 CONTROLLER	1	1167867	1	1167867	
5	PCBA COVER PANEL	1	1123049	1	1123049	H
6	PLATE, DBV PLUG, UPPER	1	1143498	1	1143498	F
7	COIN INSERT CHUTE	1	1121066	1	1121066	U
8	ASY, COIN RETURN LEVER	1	1182651	1	1182651	F
9	DOOR BUMPER	2	1036912	2	1036912	
10	DELIVERY HOPPER ASSEMBLY	1	1189115	1	1189115	D,K
11	RAIN GUTTER	1	1121204	1	1121204	K
12	PNL, SHR, UPR/LWR, 39" 4-BLB	2	1204361	2	1204361	K
13	COIN BOX	1	1088058	1	1088058	
14	COIN CHUTE COVER	1	1181555	1	1181555	
15	ASY,LED LIGHT FIXTURE	1	1198967	1	1198967	

NOTE: FOR A COMPLETE LIST OF HARNESSSES, PLEASE SEE PAGE C-15.

NOTE: (NP) – NOT PICTURED

\*EARLY PRODUCTION AND INTERNATIONAL UNITS (PRE-2011)



### TRADE LOCK ASSEMBLY

ITEM NO.	DESCRIPTION	QTY REQ	PART NO.
1	BRKT, SECURITY, LOCK	1	1143402
2	T-HANDLE	1	1002392
3	PIN - STUD	1	387601
4	LOCK STUD - QUICKER LOCK	1	1049724
5	SPRING	1	389691
6	E - RING RETAINER	3	388589
7	HEX WASHER	1	387600
8	SPRING - HEAVY	1	389691
9	FLAT WASHER	1	387718
10	T-HANDLE - FLANGE	1	1002384
11	VAPOR SEAL	1	388132
12	WASHER 1/2"	4	V801023
13	1/4" X 3/4" CARRIAGE BOLT	1	V801434
14	T - HANDLE ASSY.	1	1002635



### HV3 INNER DOOR

ITEM NO.	MODEL NUMBER		721	821
	DESCRIPTION	QTY REQ	PART NO.	PART NO.
1	INNER DOOR ASSEMBLY	1	134302-160	134302-161
2	RAIN SEAL, INNER DOOR, 7"	1	1111732-2	1111732-2
3	INNER DOOR SEAL	1	1075678	1075678-1
4	UPPER PRODUCT RETAINER ASSEMBLY	1	1185792-1	1185792-2
5	UPPER PRODUCT RETAINER	1	1181827	1181827-1
6	LONG CLIP RETAINER	1	1125202	1125202-1
7	INNER DOOR HINGE, FEMALE	2	1121286	1121286
8	HINGE PIN	1	1172323	1172323
9	REVERSABLE VEND FLAP	1	1013076	1013076
10	INNER DOOR EYELET	1	387273	387273
11	GROMMET	1	388090	388090
12	INNER DOOR LATCH	1	1121711	1121711
13	INNER DOOR LATCH BRACKET	1	1121712	1121712

FOR A COMPLETE LIST OF HARNESSSES, PLEASE SEE PAGE C-15.

### HV3 INNER DOOR LABELS - NOT SHOWN

MODEL NUMBER		721 / 821
DESCRIPTION	QTY REQ	PART NO.
ERROR CODE LABEL, VEC 12.3/V12.4	1	1170775
PROGRAMMING LABEL, VEC 12.4	1	1193696
WIRING DIAGRAM LABEL, VEC 12.1/12.2	1	1127542
PRODUCT SET UP, V21	1	1126121
SPACE TO SALES LABEL	1	1188767
INNER DOOR LABEL	1	1125783-1
WIRING SCHEMATIC, LED LIGHTING	1	1206035