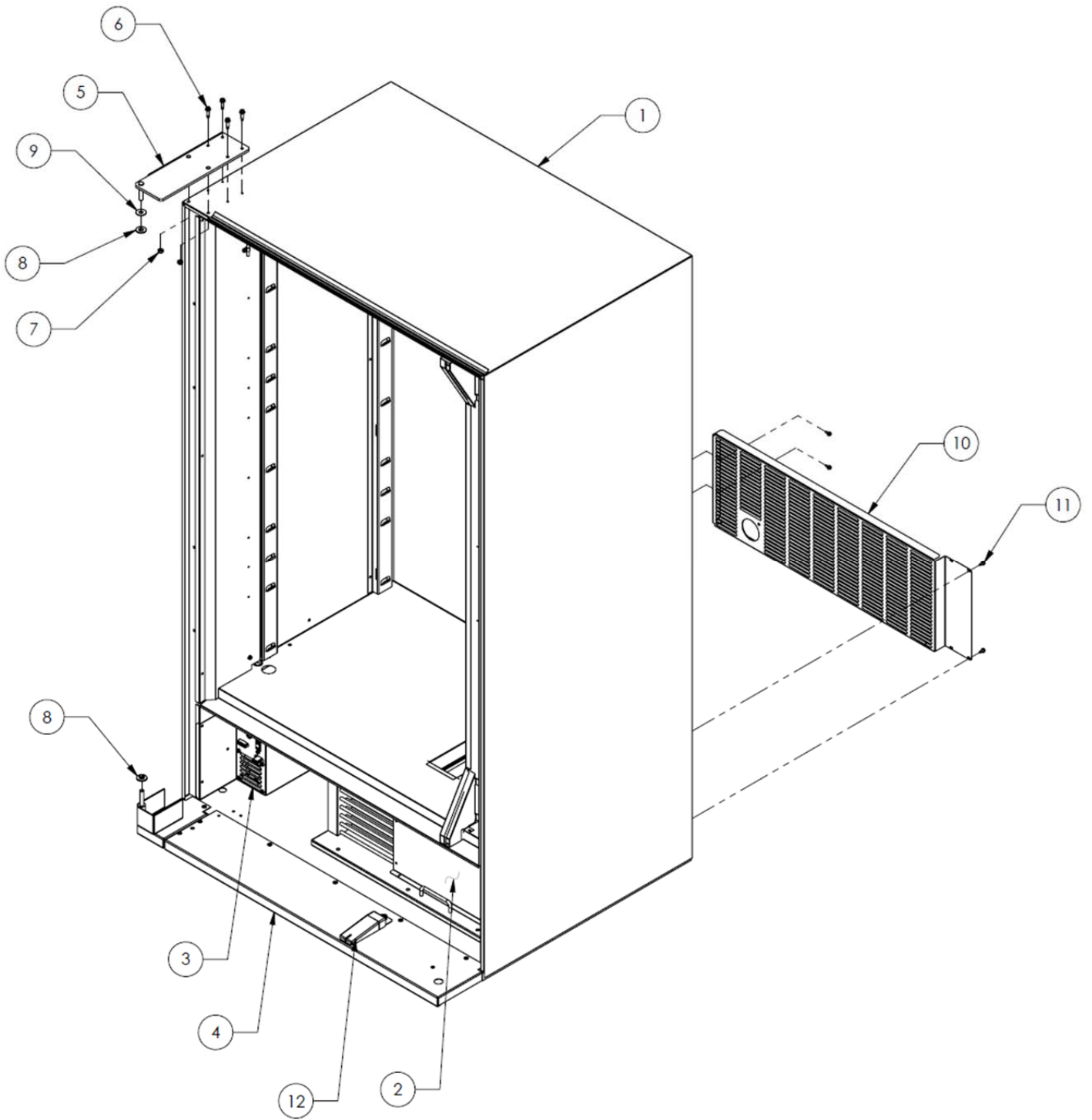




SXY
CABINET PARTS
SECTION

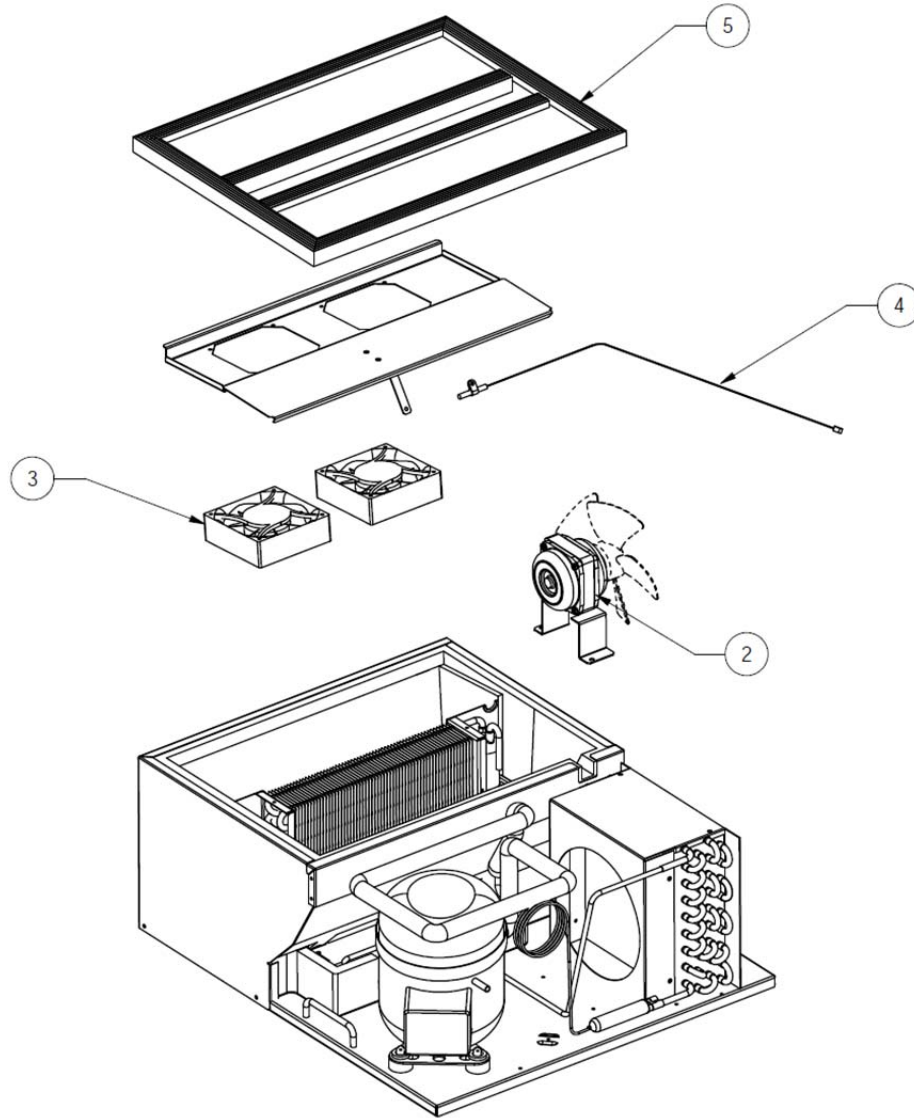


CABINET ASSEMBLY

ITEM NO.	DESCRIPTION	QTY REQ	PART NO.
1	FOAMED CABINET	1	*
2	REFRIGERATION ASSEMBLY (SEE PAGE C-4)	1	~
3	POWER DISTRIBUTION ASSEMBLY (SEE PAGES C5)	1	~
4	ASY,CAB BASE COVER	1	1160333
5	ASY,UPPER HINGE	1	1160216
6	SCREW, ¼-14 1.0 HEX ZINC PLATE SELF TAP	4	V801490
7	NUT ¼-20 HEX STL MS & SEMS	2	V800959
8	BUSHING-HINGE	2	388094
9	FLAT WASHER	1	V801491
10	PNL,SCRN,REAR SXY30	1	1168707
	PNL,SCRN,REAR SXY40	1	1168689
11	SCR 10-16X1/2 P HX W HD ZP	4	V802141
12	RAMP ASSEMBLY	1	1133925
	RAMP, DOOR	1	1130868
	THUMB SCREW, 1/4-20 X .5, RAMP	1	1127060

FOR A COMPLETE LIST OF HARNESES, PLEASE SEE PAGE C - 7.

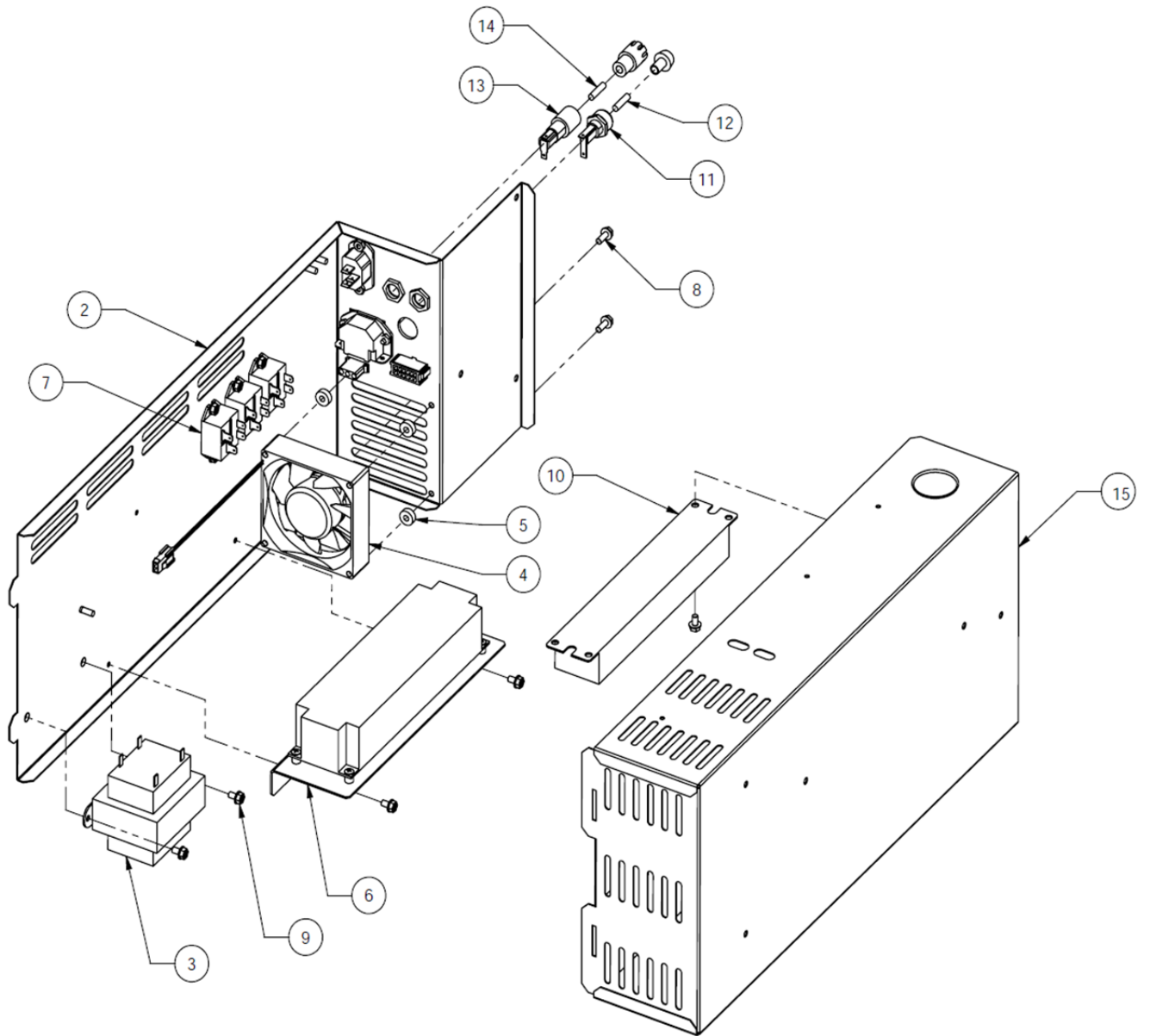
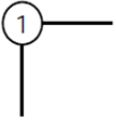
* NOTE: WHEN ORDERING FOAMED CABINET ASSEMBLY OR BASE COVER PANEL, PLEASE PROVIDE **9-CODE** AND MANUFACTURER'S DATE CODE.



REFRIGERATION ASSEMBLY

ITEM NO.	DESCRIPTION	QTY REQ	PART NO.
1	REFRIGERATION UNIT ASSEMBLY, 115V	1	1147845
	REFRIGERATION UNIT ASSEMBLY, 230V	1	1033131-268
2	FAN MOTOR, 115V	1	1127974
	FAN MOTOR, 230V	1	1127974-1
3	FAN ASSY, EVAPORATOR, 115V	1	1126260
	FAN ASSY, EVAPORATOR, 230V	1	1127994
4	TEMPERATURE SENSOR	1	1122924
5	GASKET, REFER	1	1127565

FOR A COMPLETE LIST OF HARNESSSES, PLEASE SEE PAGE C-7.



POWER DISTRIBUTION ASSEMBLY, 115V

ITEM NO.	DESCRIPTION	QTY REQ	PART NO.
1	PWR DIST ASY DOMESTIC 115V	1	1148125
	PWR DIST ASY DOMESTIC 230V		1148137
2	DISTRIBUTION PANEL	1	1148114
3	TRANSFORMER, 115V/24 VAC	1	1111201
	TRANSFORMER, 230V/24 VAC		1121932
4	PWR DISTRIBUTION FAN 24VOLT DC	1	1127890
5	BUSHING	4	1116634
6	POWER SUPPLY	1	1134012
7	RELAY, 24 VOLT DC	3	1128801
8	SCREW, #10-16 X 1/2 HEX HEAD	4	V801422
9	SCREW, #10-16 X 5/16 HEX HEAD	5	V801421
10	BALLAST ASY 115V	1	1162871
	BALLAST ASY 230V		1140965
11	HOLDER, FUSE 1-1/4 X 1/4	1	1128474
12	FUSE, 3.15 AMP SLOW BLOW	1	1127484
13	HOLDER, FUSE 5X20MM	1	1128473
14	FUSE, 0.8 AMP/250V, 3AG	1	1053864
15	BOX, DISTRIBUTION PANEL	1	1131242

FOR A COMPLETE LIST OF HARNESSSES, PLEASE SEE PAGE C-7.

HARNESS QUICK GUIDE

PART NO.	DESCRIPTION
1165501	Cabinet Harness
1163345	Cabinet Harness Extension (Required for SXY40 Only)
1165548	Power Distribution Harness, High Voltage
1128750	Power Distribution Harness, Low Voltage
1148058	Fan Motor Harness
1145411	Compressor Power Cord
1150881	Cord Set 90 Deg Plug & IEC
1124938	Cord Set, UK
1124939	Cord Set, Cont. Europe
1124937	Cord Set, Australia