



## 3D VIS & Chameleon Stack Vendor

### FEATURES & SPECIFICATIONS

V21 Model Number	521	621	721	821
Total Can Capacity	196	544	680	800
Total PET Bottle Capacity	91	240	300	360
# of Selections / Columns	6 / 7	6 / 8	8 / 10	8 / 10
<b>Dimensions* - H x W x D</b>				
3D VIS Front	N/A	72" x 32.5" x 35"	72" x 39.5" x 35"	79" x 39.5" x 35"
Chameleon Front	61" x 29" x 24"	72" x 32.5" x 35"	72" x 39.5" x 35"	79" x 39.5" x 35"
Flat Front	N/A	72" x 32.5" x 31"	N/A	N/A
Shipping Weight*	365 lbs.	570 lbs.	660 lbs.	725 lbs.
Operation Voltage	115v 60Hz	115v 60Hz	115v 60Hz	115v 60Hz
Amp Rating	4	8	8	8
Energy Consumption (DOE)	≤ 3.2 kWh/day	≤ 3.8 kWh/day	≤ 3.9 kWh/day	≤ 4.3 kWh/day
Lighting	LED	LED	LED	LED
Refrigerant	R-134a	R-134a or CO <sub>2</sub> (optional)	R-134a or CO <sub>2</sub> (optional)	R-134a or CO <sub>2</sub> (optional)
Lock Type	T-Handle	T-Handle	T-Handle	T-Handle
<b>Capacity per Column</b>				
12oz. Can	28	68	68	80
20oz. PET Bottle**	13	30	30	36

\* Dimensions and shipping weight will vary slightly.  
 \*\* Product capacities will vary based on the shape and size of the bottle.

- ADA compliant, UL certified, ENERGY STAR qualified, meets or exceeds DOE & EPA requirements and is suitable for indoor or outdoor locations.
- Energy management features included on every model make the V21 one of the most energy efficient machines available: LED lighting, real time clock, lighting and refrigeration controls, cyclopentane injected foam insulation (HFC free) and now the option of **CO<sub>2</sub> Powered Refrigeration Systems** (not available for 521).
- Full function MDB controller with DEX/UCS, recycler and wireless telemetry compatibility standard on all models.
- The V21 stack allows for maximum flexibility during product loading and most products can be loaded caps to back, butt-to-butt, or in combination.
- The V21 utilizes 24 volt, DC motors that are installed with only two screws for easy servicing. No micro-switches or timing cams!
- 3D VIS door is designed to be easily replaced/refurbished without sacrificing security. It is available as an after-market part and shares common parts with the standard Coca-Cola Chameleon door.



3D VIS FRONT



CHAMELEON FRONT

SandenVendo America, Inc. offers a complete line of parts, accessories, supplies and add-on security devices - call for more information.

COCA-COLA, and the COCA-COLA logo design are registered trademarks of The Coca-Cola Company.



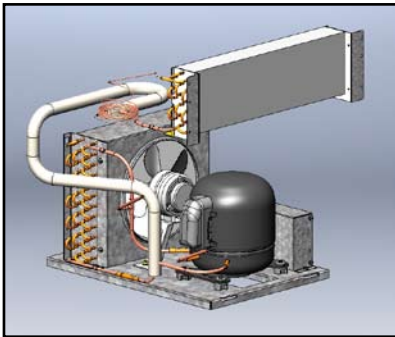
**SandenVendo America, Inc.**  
 10710 Sanden Drive, Dallas, TX 75238  
 P: 214-765-9066 F: 214-340-8029  
 P: 1-800-344-7216 F: 1-800-541-5684  
[www.vendoco.com](http://www.vendoco.com)



Copyright © 2015 SVA

## FEATURES & BENEFITS

## 3D VIS & Chameleon Stack Vendor



### CO2 Powered Refrigeration System *(optional feature)*

Liquid carbon dioxide (R-744), the environmentally-friendly refrigerant of the future, operates more efficiently than the industry standard R-134a refrigerant and is non-ozone depleting, non-toxic, and non-flammable.

R-744 (CO2) vs. R-134a Over 100 Years

Refrigerant	R-744	R-134a
Ozone Destructive Potential	0	0
Global Warming Potential	1	1,300
Permission Concentration	5,000 ppm	1,000 ppm
Operating Pressure	10MPa	2MPa



### ENERGY STAR & Department of Energy (DOE)

All models in the V21 Equipment Line are ENERGY STAR qualified and meet or exceed the Department of Energy 2012 Efficiency Standards. Refrigerated beverage vending machines that have earned the ENERGY STAR are up to 50% more energy-efficient than standard machine models. ENERGY STAR qualified machines come with a low power mode option that allows the machine to be placed in low-energy lighting and/or low-energy refrigeration states during periods of inactivity.

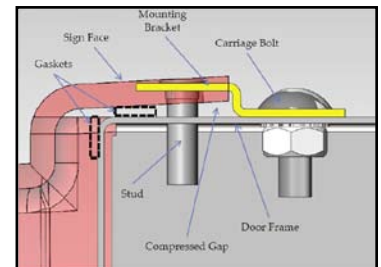


### ADA Compliant

All models in the V21 Equipment Line meet the current Americans with Disabilities Act 2010 Standards for Accessible Design. The reach range requirements have been changed to provide that the side reach range must now be no higher than 48 inches (instead of 54 inches) and no lower than 15 inches (instead of 9 inches).

### 3D VIS Door Installation / Replacement

Mounting brackets are secured to the door frame with carriage bolts for optimum security and ease of installation. The mounting brackets are designed to squeeze the sign face to the door frame when fastened, compressing the rain seal gasket and providing superior performance when placed in an outside location exposed to the elements. The mounting brackets have permanent studs that protrude through pre-drilled holes on the door frame to reduce vandalism and ensure the door is tamper resistant.



### The V21 Stack

The V21 offers fast set-up - converting columns from bottles to cans has never been easier!

- No shims, spacers, gauge bars, gauge bar clips, or cams to adjust.
- Vend-mechanisms are self-priming for additional time-savings at product set-up.
- Simply move the back spacer, adjust the product slide and select the appropriate depth setting to set-up a column for a different vend product.
- Slide out loading rack allows for greater access to the columns during product loading.
- Rugged top retainer ensures consistent product alignment every time the door is closed.
- The V21's epoxy coated vend chute provides smooth product delivery.

