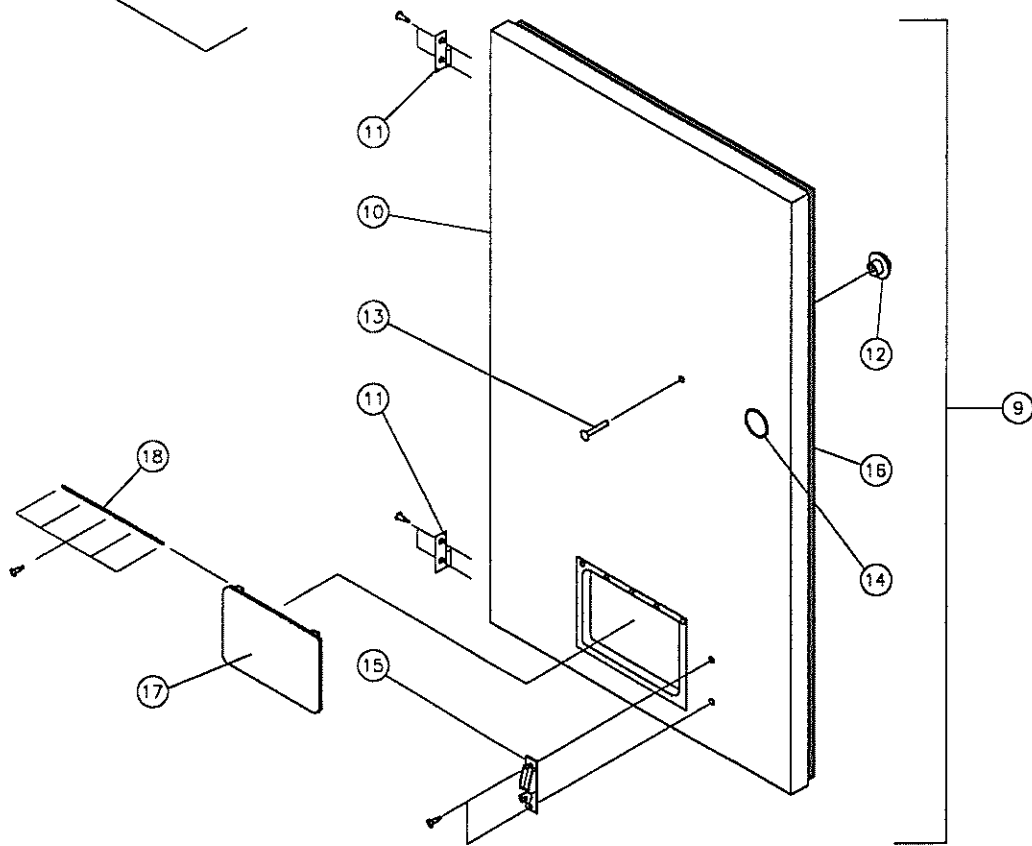
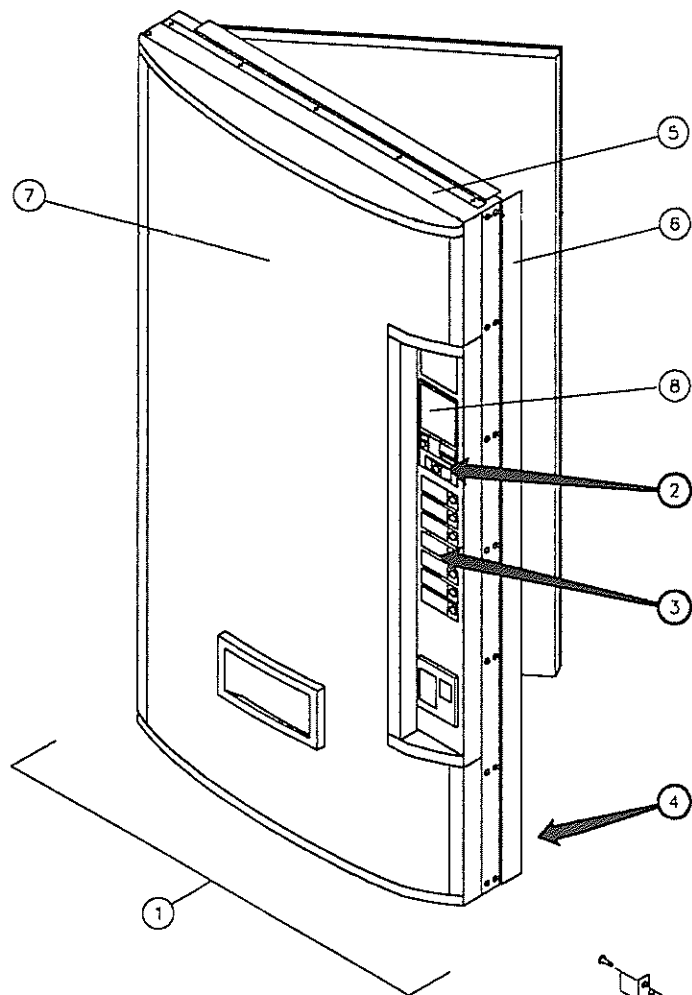


“UNIVENDOR”
COCA-COLA 3D
PARTS SECTION

390150 F

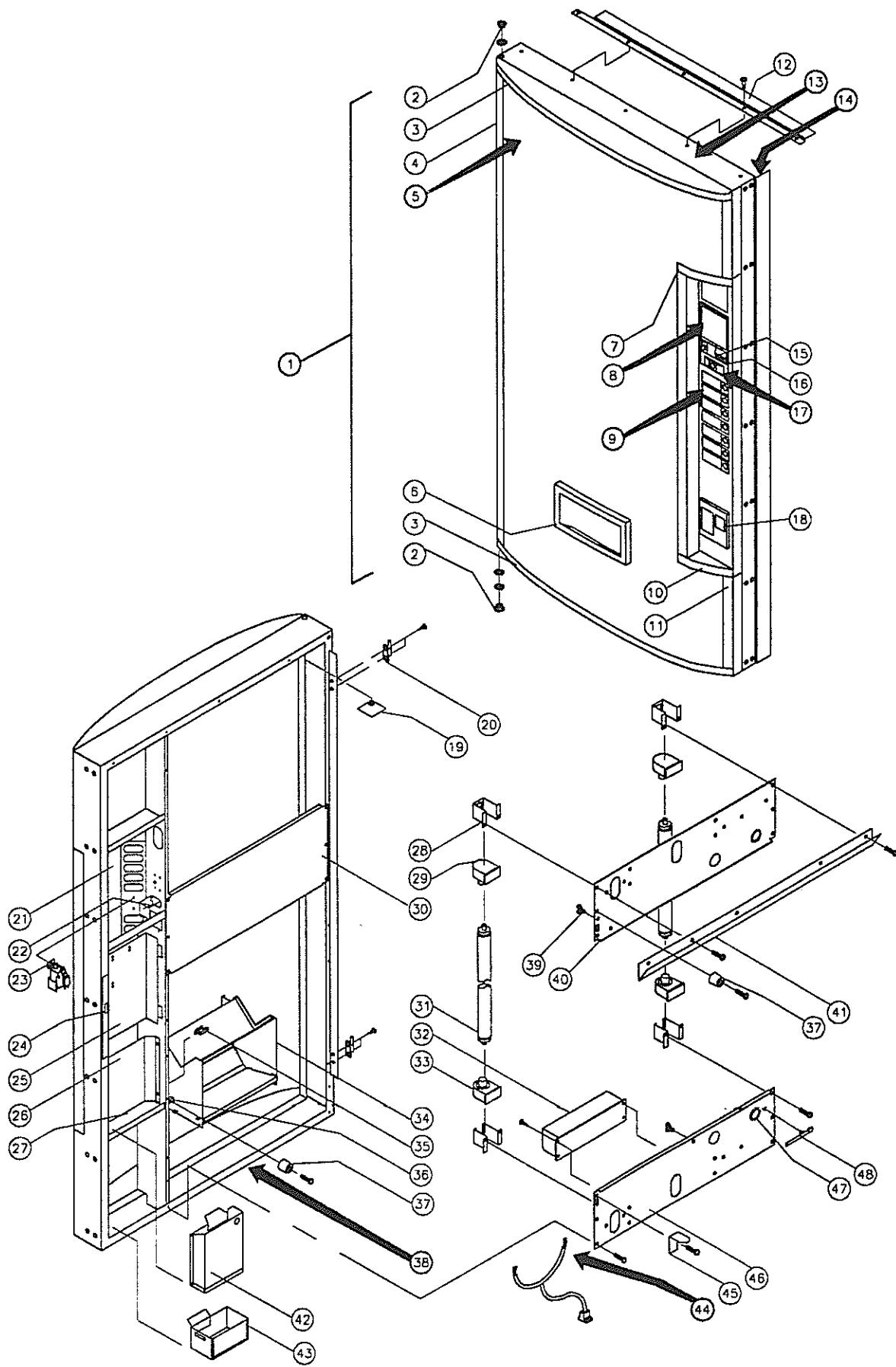




"UNIVENDOR" COKE MAIN DOOR 3D

ITEM NO.	PART NAME & DESCRIPTION	REQ.	MODEL NUMBER →		ITEM LETTER
			510 - 516	600 - 606	
			PART NO.	PART NO.	
1	OUTER DOOR COKE-7 SELECT	1	133505-1	133505	
~	OUTER DOOR DIET COKE-7 SELECT	1	133505-6	133505-5	
~	OUTER DOOR COKE-6 SELECT	1	133505-17	133505-16	
~	OUTER DOOR DIET COKE-6 SELECT	1	133505-20	133505-19	
~	OUTER DOOR COKE- 8 SELECT	1	133505-23	133505-22	
~	OUTER DOOR DIET COKE-8 SELECT	1	133505-28	133505-27	
~	OUTER DOOR COKE-9 SELECT	1	133505-10	133505-11	
~	OUTER DOOR DIET COKE-9 SELECT	1	133505-12	133505-13	
~	OUTER DOOR COKE-10 SELECT	1	133505-33	133505-32	
~	OUTER DOOR DIET COKE-10 SELECT	1	133505-36	133505-35	
2	T-HANDLE ASS.-SEE PG. F-4	1	~	~	
3	SELECTION PANEL-SEE PG. F-6	1	~	~	
4	DOOR HARNESS - SEE PG. A-4	1	133394	133394	
5	DOOR FRAME WELD	1	133432-1	133432	
6	DOOR GUARD - COKE	1	133629-1	133629	
~	DOOR GUARD - DIET COKE	1	133629-4	133629	
7	SIGN FACE - COKE	1	388114-1	388114	
~	SIGN FACE - DIET COKE	1	388450-1	388450	
8	VALIDATOR PLUG	1	388216	388216	OO
9	INNER DOOR ASSEMBLY (FINAL)	1	133434-1	133434	
10	INNER DOOR PANEL	1	133438-1	133438	
11	HINGE - INNER DOOR	2	388148	388148	C
12	DOOR HANDLE	1	388305	388305	
13	CARRIAGE BOLT - HANDLE	1	V329258	V329258	
14	GROMMET	2	388090	388090	
15	LATCH MECHANISM	1	388435	388435	
16	GASKET - SEE PAGE A-5	1	~	~	
17	DELIVERY EYELET DOOR	1	387270	387270	
18	HINGE PIN	1	389985	389985	C

NOTE: ITEM LETTER "HARDWARE" LISTED ON PAGE A-14

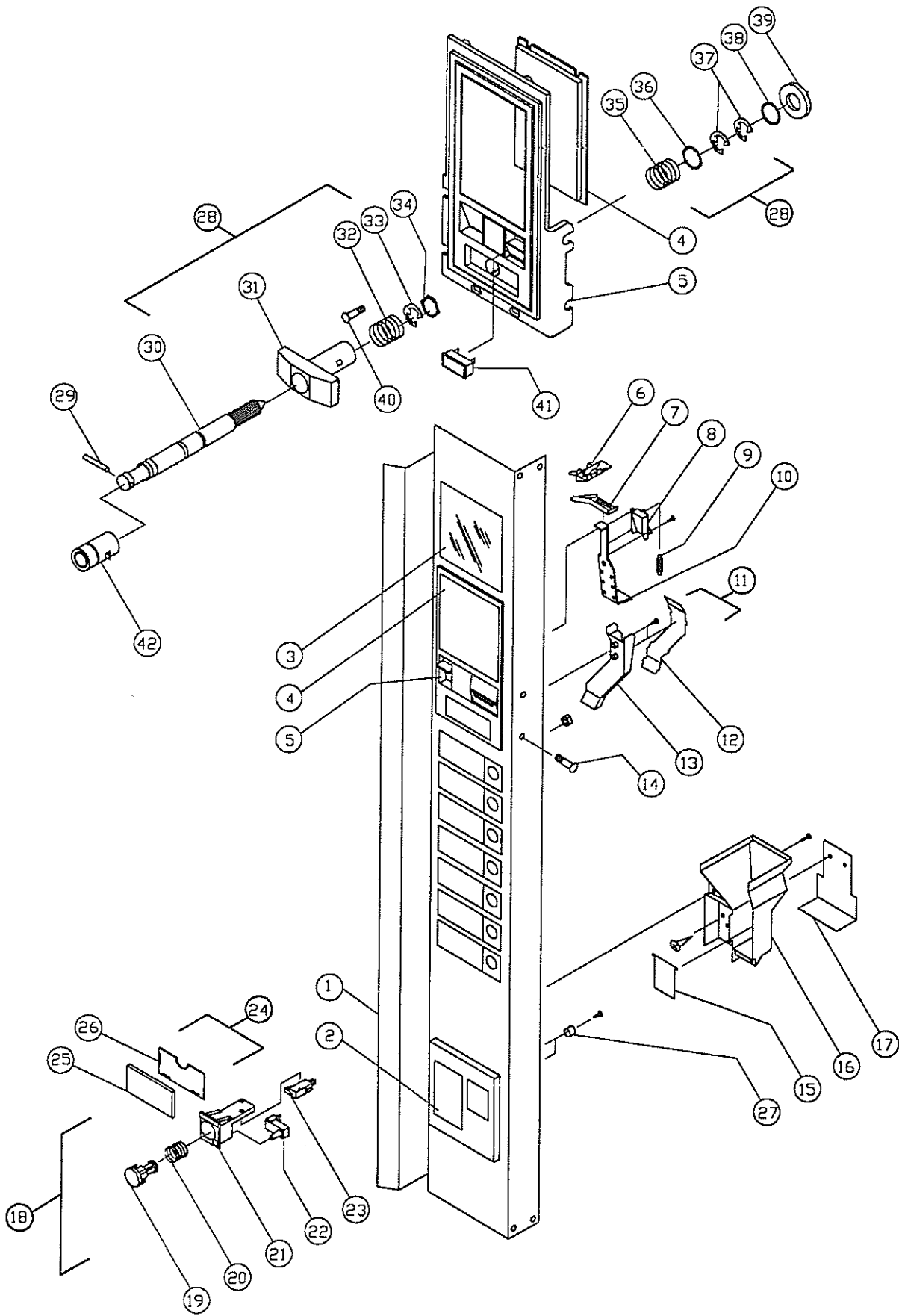


"UNIVENDOR"® COKE OUTER DOOR

ITEM NO.	MODEL NUMBERS →		510 - 516	600 - 606	ITEM LETTER
	PART NAME & DESCRIPTION	REQ.	PART NUMBER	PART NUMBER	
1	OUTER DOOR-SEE PG. F-2	1	~	~	
2	BUSHING - DOOR HINGE	2	388094	388094	NN,EE
3	SIGN CAP - TOP/BOTTOM	2	388121	388121	
4	SIGN FRAME - LEFT	2	388125-2	388125	CC
5	SIGN FACE-SEE PG. F-2	1	~	~	
6	EYELET TRIM	1	388271	388271	FF
7	SIGN CAP - SELECTION PANEL TOP	1	388139	388139	
8	VALIDATOR PLUG	1	388216	388216	
9	SELECTION PANEL-SEE PG. F-6	1	~	~	
10	SIGN CAP - SELECTION PANEL BOTTOM	1	388140	388140	
11	SIGN CAP -RIGHT	1	388125-3	388125-1	
12	DOOR RAIN GUARD	1	133647	133647	R
13	DOOR FRAME WELD - SEE PAGE B-2	1	~	~	Q, I
14	DOOR GUARD-SEE PG. F-2	1	~	~	
15	CORRECT CHANGE LAMP	1	387124	387124	
16	COIN INSERT CASTING	1	389782	389782	
17	T-HANDLE ASSY. - SEE PAGE B-6	1	~	~	
18	TRIM - COIN RETURN	1	389791	389791	
19	BACKING PLATE	1	388443	388443	
20	HINGE - INNER DOOR	2	388149	388149	CC
21	MID PANEL	1	388107	388107	
22	CREDIT RELAY	1	353343	353343	
23	SEQUENCER RELAY - 387804-1 <i>Double switch</i>	1	387804	387804	
24	LATCH - COINAGE DOOR	1	389612	389612	
25	COINAGE DOOR ASSEMBLY	1	133435	133435	E
26	BARRIER PANEL	1	388244	388244	
27	BULKHEAD	1	388119	388119	
28	BRACKET - LAMPHOLDER	1	388409	388409	
29	LAMP HOLDER - PLUNGER	2	388407	388407	
30	SHEAR PANEL - MIDDLE	1	388295	388295	
31	FLUORESCENT LAMP	2	388408-1	388408	
32	BALLAST - LAMP	1	388405	388405	□
33	LAMP HOLDER - FIXED	2	38406	388406	
34	DELIVERY HOPPER ASSEMBLY	1	133534-1	133534-1	
~	EXTENTIONS - HOPPER (NOT SHOWN)	2	389088	389088	
35	TIE-DOWN PANEL MOUNT	A/R	388359-1	388359-1	CC
36	STRIKE	1	388433	388433	
37	BUMPER - DOOR	2	369466	369466	CC
38	DOOR HARNESS-SEE PG. A-4	1	~	~	
39	HARNESS CLIP	3	384692-2	384692-2	
40	SHEAR PANEL - TOP	1	388117	388117	CC
~	SAIL PANEL - TOP	1	~	~	CC
41	RAIN GUTTER	1	388581-1	388581-1	CC
42	COIN BOX	1	133563	133563	
43	CROWN BOX	1	133552	133552	
44	LIGHT HARNESS-SEE PG. A-4	~	~	~	
45	RAMP - INNER DOOR	1	388367	388367	
46	SHEAR PANEL - BOTTOM	1	388117	388117	CC
47	GROMMET	1	327021	327021	
48	HARNESS TIE	2	388359-1	388359-1	

NOTE: FOR LABELS AND DECALS SEE PAGE A-6

NOTE: ITEM LETTER "HARDWARE" LISTED ON PAGE A-14



"UNIVENDOR" COKE CONTROL PANEL 3D

ITEM NO.	PART NAME AND DESCRIPTION	NO. REQ.	PART NUMBER	ITEM LETTER
~	CONTROL PANEL ASSEMBLY - 6 SELECT	1	133506	
~	CONTROL PANEL ASSEMBLY - 7 SELECT	1	133506-1	
~	CONTROL PANEL ASSEMBLY - 8 SELECT	1	133506-3	
~	CONTROL PANEL ASSEMBLY - 9 SELECT	1	133506-2	
~	CONTROL PANEL ASSEMBLY - 10 SELECT	1	133506-5	
1	CONTROL PANEL - 6 SELECT	1	134763-1	J
~	CONTROL PANEL - 7 SELECT	1	134763-2	
~	CONTROL PANEL - 8 SELECT	1	134763-3	
~	CONTROL PANEL - 9 SELECT	1	134763-4	
~	CONTROL PANEL - 10 SELECT	1	134763-5	
2	COIN RETURN TRIM	1	389791	
~	"POINT OF SALE" WINDOW - COKE	1	388130	I
3	"POINT OF SALE" WINDOW - DIET COKE	1	388130-1	I
4	VALIDATOR PLUG	1	388216	
5	COIN INSERT CASTING -	1	389782	
6	T-HANDLE CHUTE	1	389240	
7	SCAVENGER CHUTE	1	388684	
8	RETAINER - LEVER	1	388220	U
9	SPRING - LEVER	1	387849	
10	SCAVENGER LEVER	1	388690	
11	COIN INSERT CHUTE ASSEMBLY	1	133428	
12	COIN INSERT CHUTE	1	389065	U
13	COVER - COIN INSERT CHUTE	1	389066	
14	CARRIAGE BOLT	2	389748-2	
15	COIN RETURN DOOR	1	389790	
16	CUP - COIN RETURN/CROWN PULLER	1	388111	CC, FF
17	CROWN BLOCKER	1	388455	
18	SELECTION BUTTON ASSEMBLY	AR	133430	
19	SELECTION BUTTON	1	388250	
20	SPRING	1	388286	
21	BUTTON HOUSING	1	388388	
22	SOLD-OUT LAMP	1	388277	
23	SELECTION SWITCH	1	388287	MM
24	SELECTION WINDOW ASSEMBLY	AR	133431	
25	WINDOW	1	388223	
26	BACK - WINDOW	1	388116	
27	CUP WASHER - TRIM	2	337241-1	FF
28	LOCK ASSEMBLY	1	133461	
29	PIN - STUD	1	387601	
30	LOCKING STUD (BOLT)	1	388131	
31	"T" HANDLE	1	387603	
32	SPRING	1	387598	
33	"E" RING RETAINER	1	388589	
34	HEX WASHER	1	387600	
35	SPRING - HEAVY DUTY	1	389691	
36	FLAT WASHER	1	387718	
37	"E" RING RETAINER	2	387719	
38	WASHER - 1/2"	1	388132	
39	VAPOR SEAL	2	V801023	
40	COVER PLATE	1	388758	
41	CORRECT CHANGE LAMP	1	387124	
42	FLEX ACE LOCK (SPECIFY CODE NO.)	1	~	
43	KEY (NOT SHOWN) (SPECIFY KEY NO.)	1	~	

NOTE: ITEM LETTER "HARDWARE" LISTED ON PAGE A-14

NOTE: FOR FLAVOR LABELS - SEE PAGE A-8 FOR LABELS AND DECALS - SEE PAGE A-6