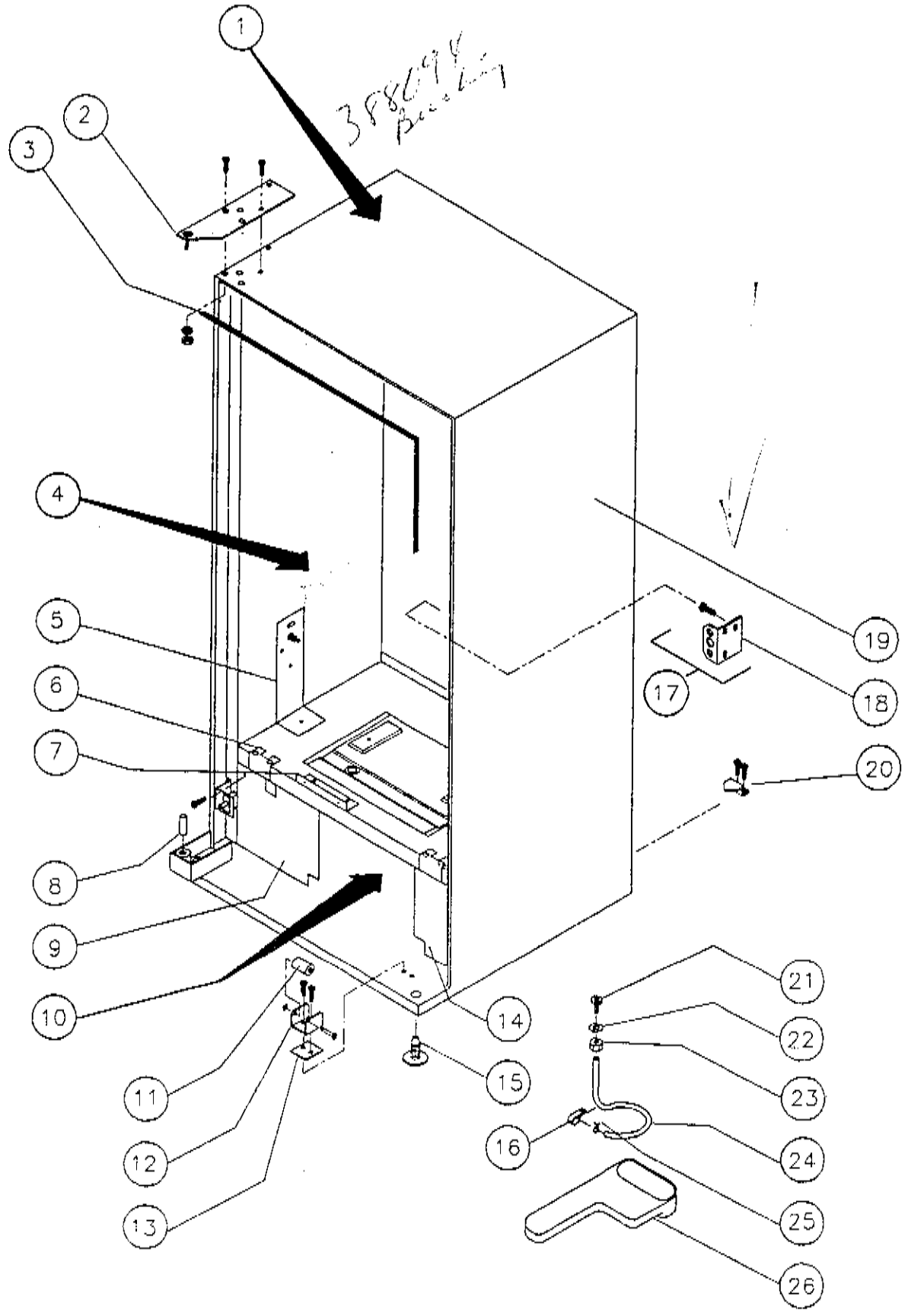




“UNIVENDOR”[®]
COMMON 3D
PARTS SECTION

390150 B



INSTALLATION INSTRUCTIONS

PART NUMBER
390301
DATE
July 6, 1990

PAGE 1 of 2

KIT NUMBER: 134911 FOR 8 COLUMN VENDERS, 134912 FOR 10 COLUMN
VENDERS

MACHINE: ALL 3D UNIVENDORS

PURPOSE: TO UPDATE 3D VENDERS TO PREVENT JAMMING

SPECIAL NOTE YOU DO NOT HAVE TO REMOVE ANY PRODUCT FROM THE COLUMNS
TO REWORK THE VENDER, THE ONLY PRODUCTS TO BE REMOVED WILL BE IN THE
VEND BUCKET.

1. Remove the vender from its power source before starting the rework.
2. Remove the vend mech cover to gain access to the motors, gate links, and the buckets.
3. Remove the three screws that hold the motors, you may want to unplug the harnesses to prevent any strain on the motor connections.
4. Rotate the buckets to remove any product that may still be in them. Remove the "C" ring using the "C" ring extractor tool. Insert the notched end of the tool into the open end of the bucket that you have just removed the motor from, now place a finger onto one end of the "C" ring that holds the bucket to stabilize it as you are turning the tool to the left to remove the ring. Remove the ring.
5. Push the bucket back out of the front mech plate, and by pulling it forward, you can remove it from the rear mech plate.
6. With the bucket out of position, you will have easy access to the gate links, and at this time remove the spring and the "E" ring from the links, the products will remain in the columns by the action of the gate resting on the cutouts in the front and rear mech plates. Remove the gate links and replace them with the reworked ones furnished.
7. Check the front and rear pivot bearings of the buckets to see if they are in place in the cutouts of the mech plates. If not, install them from the ones furnished in the kit.
8. Install the new buckets and as you install them, turn the cavity of the bucket so that it faces downward in the same position as it was when you removed the old ones. When you install the "C" ring to the bucket, use the edge of a screwdriver, or needle nose pliers to insert it into the groove. Install all vend motors, then remove the retainer cam and the motor cam, attach the new motor cam #390360 in the same position as the previous cam, reinstall the retainer cam. At this time, if the vend bucket happens to be 180 degrees out of time, remove retainer cam and motor cam and rotate motor cam 180 degrees, reinstall cam assembly. When power is applied, the cam will return to standby.

AFTER YOU HAVE THE BUCKETS INSTALLED AND ALL THE PARTS IN PLACE, PLUG THE VENDER INTO ITS POWER SOURCE, AND PLUG THE MOTORS IN AND MANUALLY ACTUATE EACH MOTOR SWITCH TO TEST THEM. THIS WILL ALSO LOAD THE BUCKETS TO BE READY TO VEND PRODUCTS.

INSTALLATION INSTRUCTIONS

PART NUMBER
390301
DATE
July 6, 1990

PAGE 2 OF 2

UPDATE OF 3D UNIVENDORS

SPECIAL NOTE: WE HAVE INCLUDED THE SPRINGS, BUSHINGS, SCREWS, AND THE "C"/"E" RINGS IN THIS KIT IN CASE YOU MAY LOSE THEM IN THE PROCESS OF THE REWORK. IF YOU DO NOT REQUIRE THEM, SAVE THEM AS THEY ARE USED ON OTHER VENDERS.

WE WILL BE SENDING THE "C" RING EXTRACTOR TOOL UNDER SEPARATE COVER, YOU WILL NOT HAVE TO ORDER IT.

PARTS LIST (QUANTITIES)

		<u>8 COLUMN VENDERS</u>	<u>10 COLUMN VENDERS</u>
GATE LINK "E" RING	V801080	8	10
GATE LINK (NEW)	390320	8	10
SPRING	387849	8	10
BEARING	385603-7	4	4
ANTI-THEFT CLIP	389712	16	20
SCREWS	V801422	16	16
BUCKETS (NEW)	390280	8	10
"C" RING	V802049	8	10
CAM	390360	8	10

After you have completed the rework of the vender, dispose of the old parts in an appropriate manner. We do not need them returned to The Vendo Company.

*7/25/90
759/100*

*Black bucket
390300*

*For
Black bucket
only*

"UNIVENDOR" CABINET ASSEMBLY 3D

ITEM NO.	MODEL NUMBERS		510	516	600	606	ITEM LETTER
	PART NAME & DESCRIPTION	NO. REQ.	PART NO.	PART NO.	PART NO.	PART NO.	
**1	CABINET (FOAM) ASSEMBLY - BLACK	1	134834		134834-5		
2	TOP HINGE WELD ASSEMBLY	1	134478		134478		P, CC
3	RAIN GASKET	1	389463		389463		
4	STACK ASSEMBLY - SEE PAGE B-3	1	~		~		
5	STACK SUPPORT - SEE PAGE B-6	2	~		~		
6	CLOSURE CAP	2	388143		388143		
7	BRACKET - CHUTE	1	388086		388086		
8	HINGE PIN	1	389071		389071		
9	AIR DAM LEFT	1	388403-1		388403-1		
10	REFRIGERATION ASSEMBLY-SEE PG. B-9	1	~		~		
11	ROLLER	1	368656		368656		
12	ROLLER BRACKET - DOOR LIFT	1	388096		388096		GG, HH, II
13	SHIM - BRACKET	AR	388097		388097		
14	AIR DAM RIGHT	1	388917		388917		
15	LEVELING LEG	4	389788		389788		
16	STRAP ADJUSTABLE - TUBING	1	342621		342621		
*17	QUICK-LOCK ASSEMBLY	1	134626		134626		
18	LATCH BRACKET	1	389027		389027		
19	SIDE DECAL - SEE PAGE A-6	2	~		~		
20	BRACKET - REFRIGERATION	2	388387		388387		II
21	DRAIN TUBE -	1	388245		388245		
22	WASHER -	1	387837		387837		
23	NUT - DRAIN TUBE -	1	387925		387925		
24	DRAIN TUBING -	AR	340061		340061		
25	CLIP - TUBING TO PAN	1	321304		321304		
26	CONDENSATE PAN	1	339840		339840		
27	DELIVERY CHUTE (NOT SHOWN)	1	389472		389472		

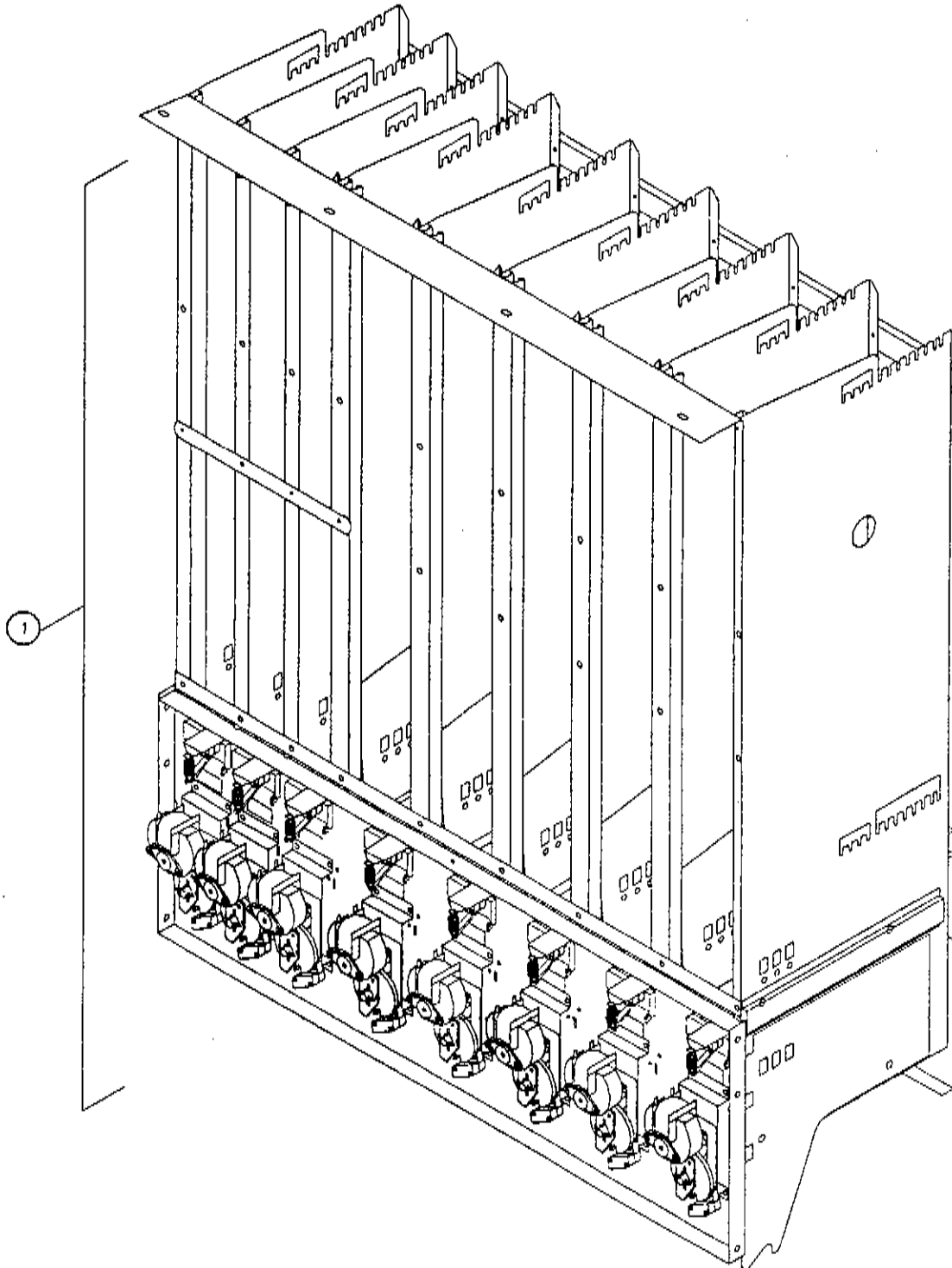
NOTE: ITEM LETTER "HARDWARE" LISTED ON PAGE A-14

- * NOTE: WHEN ORDERING PART SPECIFY COLOR AND/OR FRANCHISE
- ** NOTE: SEE PAGE B-11 FOR QUICK LOCK ASSEMBLY

STACK - VEND MECH COMPLETE ASSEMBLY

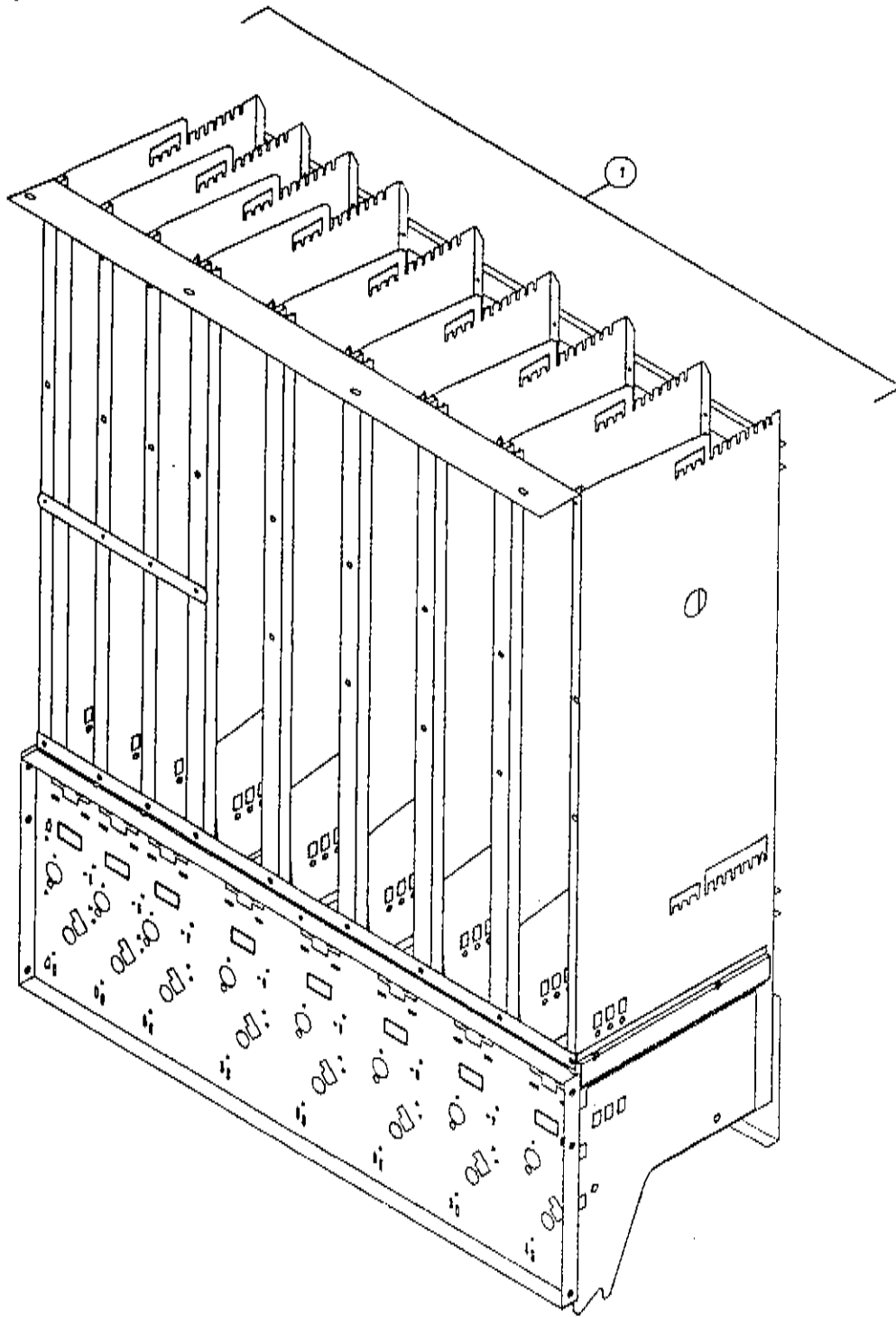
ITEM NO.	MODEL NUMBER	CABINET SIZE	STACK CONFIGURATION	NO. REQ'D	PART NUMBER
1	510	39 X 72	0 + 10	1	134900
~	516	39 x 72	3 + 5	1	134900-1
~	600	39 x 79	0 + 10	1	134900-2
~	606	39 X 79	3 + 5	1	134900-3

NOTE: VEND MECH HARNESSES ARE NOT INCLUDED IN STACK - VEND MECH COMPLETE ASSEMBLY.



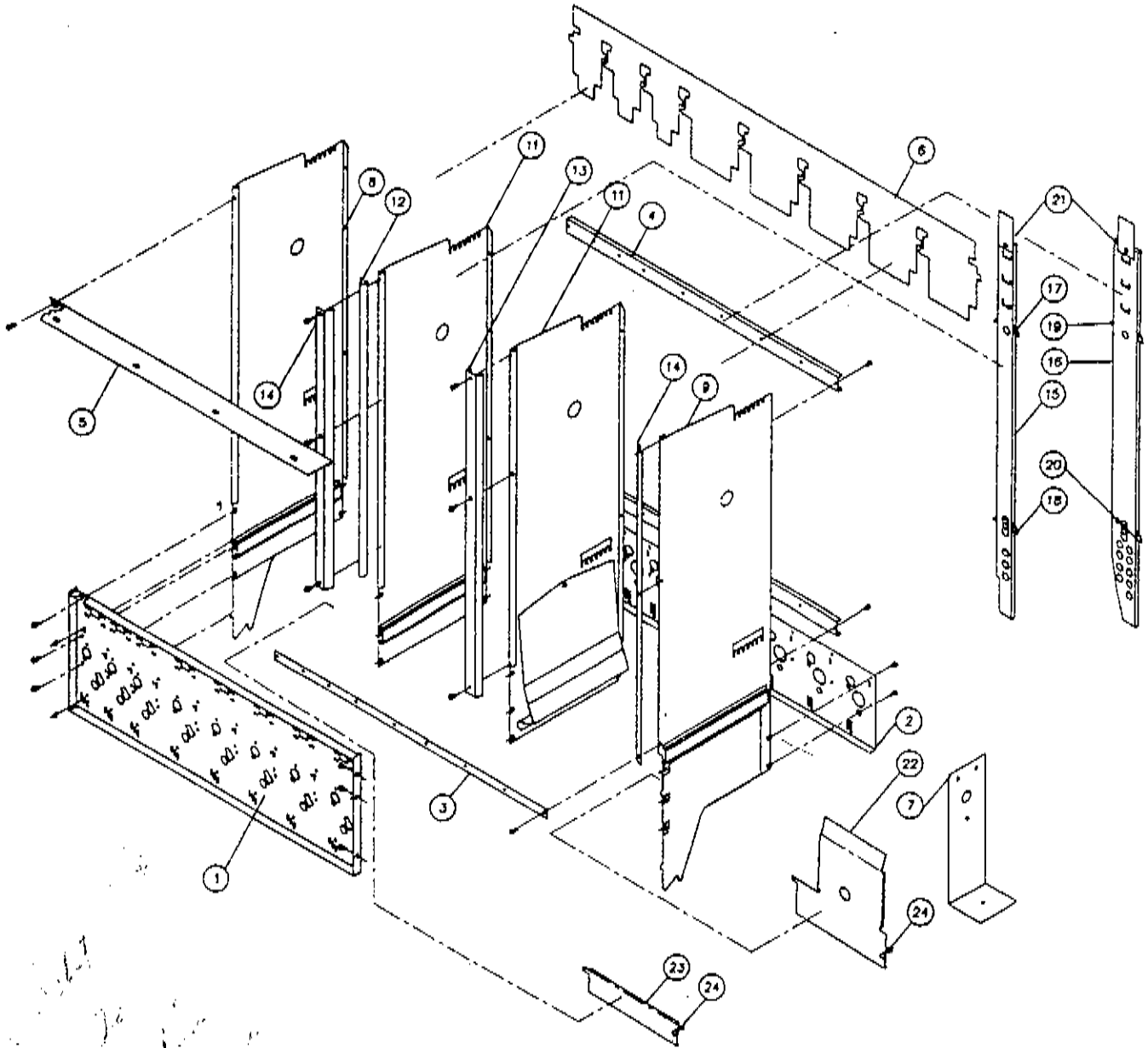
4 pages
to R. Van Horn

Vendo®



"UNIVENDOR" STACK CHASSIS

ITEM NUMBER	MODEL	PART NAME & DESCRIPTION	PART NUMBER		NUMBER REQUIRED
			MACHINE HEIGHT		
			79"	72"	
1	510	STACK CHASSIS ASSEMBLY	134836-4	134836	1
~	516	STACK CHASSIS ASSEMBLY	134836-5	134836-1	1
~	600	STACK CHASSIS ASSEMBLY	134836-6	134836-2	1
~	606	STACK CHASSIS ASSEMBLY	134836-7	134836-3	1



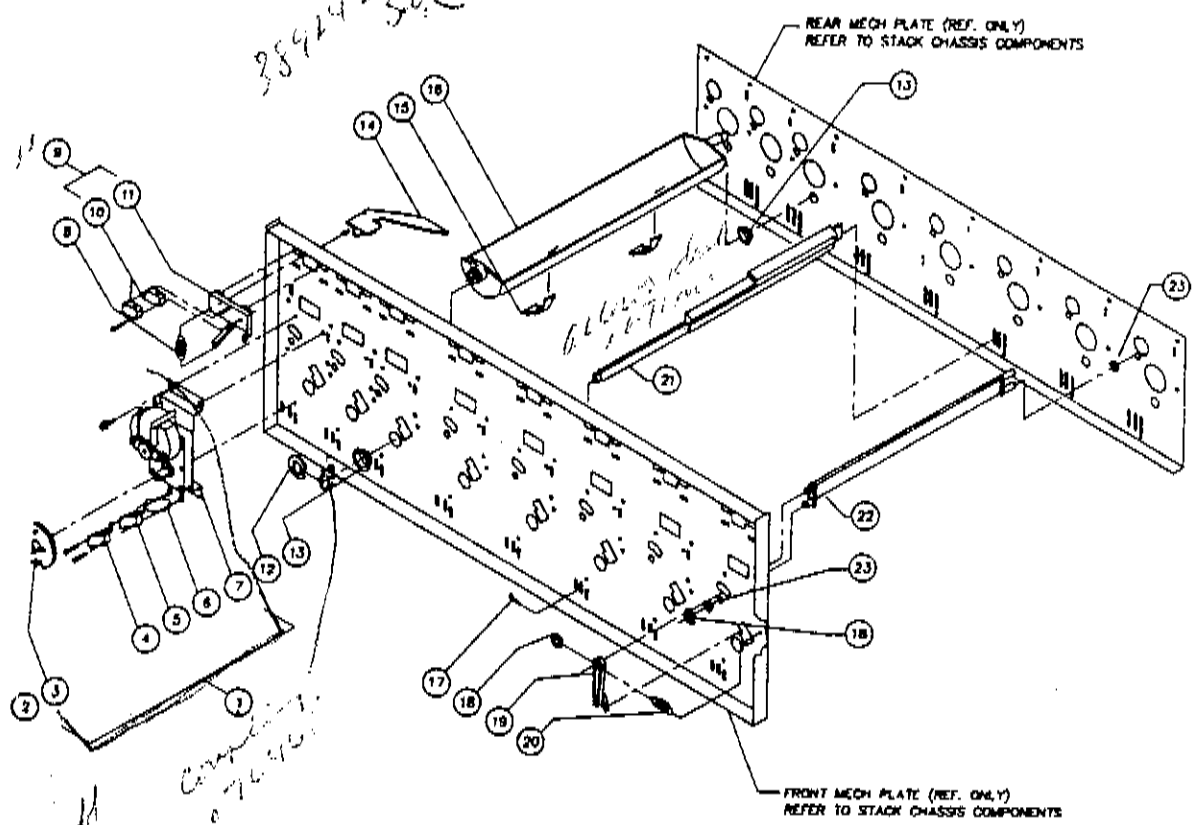
"UNIVENDOR" STACK CHASSIS COMPONENTS 3D

ITEM NO.	MODEL NUMBER		510	516	600	606	ITEM LETTER
	PART NAME & DESCRIPTION	NO. REQ	PART NO.	PART NO.	PART NO.	PART NO.	
1	FRONT MECH PLATE	1	389652	389640	389652	389640	P, DD
2	REAR MECH PLATE	1	389653	389641	389653	389641	P
3	FRONT STRAP	1	389655	389643	389655	389643	P
4	REAR STRAP	2	389654	389642	389654	389642	P
5	TOP SUPPORT	1	389656	389644	389656	389644	
6	AIR BAFFLE	1	389657	389645	389657	389645	
7	STACK SUPPORT ASSEMBLY	2	133685-6	133685-8	133685-6	133685-8	
8	PARTITION WELD LEFT SIDE	1	134659-1	134659-1	134659	134659	
9	PARTITION WELD RIGHT SIDE	1	134659-5	134659-3	134659-4	134659-2	
10	PARTITION WELD NARROW COLUMN	9	134659-7	~	134659-6	~	
~	PARTITION WELD NARROW COLUMN	4	~	134659-7	~	134659-6	
11	PARTITION WELD WIDE COLUMN	3	~	134659-9	~	134659-8	
12	PRODUCT RETAINER SINGLE COLUMN	2	390073-5	390073-5	390073-4	390073-4	P
13	PRODUCT RETAINER STAG. COL.	2	~	388947-5	~	388947-4	P
14	PRODUCT RETAINER SIDE	2	~	388948-5	~	388948-4	P
15	BACK SPACER SINGLE COLUMN	5	~	388694-5	~	388694-4	P
~	BACK SPACER SINGLE COLUMN	10	388694-5	~	388694-4	~	
16	BACK SPACER STAGGERED COLUMN	3	~	388783-5	~	388783-4	
17	BACK SPACER HANGER SINGLE COL.	10	389470	~	389470	~	
~	BACK SPACER HANGER SINGLE COL.	5	~	389470	~	389470	
18	BOTTOM HANGER SINGLE COL.	10	389471	~	389471	~	
~	BOTTOM HANGER SINGLE COL.	5	~	389471	~	388471	
19	TOP HANGER STAGGERED COL.	3	~	389468	~	389468	
20	BOTTOM HANGER STAGGERED COL.	3	~	389469	~	389469	
21	KEEPER BACK SPACER	10	389992	~	389992	~	
~	KEEPER BACK SPACER	8	~	389992	~	389992	
22	SIDESPACER-STAGGERED COLUMN	A/R	~	389506	~	389506	
23	SIDESPACER-SINGLE COLUMN	A/R	389509	389509	389509	389509	
24	HAIR SPRING COTTER PIN	A/R	387450	387450	387450	387450	
THE FOLLOWING ITEMS ARE NOT SHOWN:							
25	MOUNTING BRACKET TOP - CHUTE	A/R	388086	388086	388086	388086	
26	MOUNTING BRACKET BOT. - CHUTE	A/R	389470	388087	388087	388087	
27	VEND MECH HARNESS-SEE PG. A-5	1	~	~	~	~	
28	PLASTIC CLAMP-VEN MECH HARNESS	A/R	384692	384692	384692	384692	
29	VERTICAL AIR BAFFLE	2	388916	388916	388916	388916	
30	MECH COVER	1	389606	389606	389606	389606	
31	VEND CHUTE	1	389472	389472	389472	389472	

NOTE: ITEM LETTER "HARDWARE" LISTED ON PAGE A-14

* NOTE: SEE SERVICE SECTION PAGE 9

25924 Start (check instructions)



"UNIVENDOR" VEND MECH ASSEMBLY 3D

ITEM NO.	PART NAME & DESCRIPTION	REQ.	PART NO.	ITEM LETTER
1	VEND MOTOR ASSEMBLY	AR	134837	
2	RETAINER - CAM	1	389401	1113244
3	TIMING CAM	1	389400	111224
4	CARRIER SWITCH	1	388687	A
5	START SWITCH	1	388688	
6	INSULATOR	1	340025-3	
7	VEND MOTOR	1	388637	P
8	SPRING	1	387849	
9	SOLD OUT LEVER ASSEMBLY	AR	134838	
10	SWITCH - SOLD OUT	2	368299	A
11	SWITCH MOUNT - SOLD OUT	1	388629	
12	C-CLIP - VEND BUCKET	AR	V802049	
13	BUSHING - VEND BUCKET REAR	AR	385603-7	
14	SOLD OUT LEVER	1	388630	
15	* ANTI-THEFT CLIP	AR	389712	
16	VEND BUCKET	AR	390152	
17	COTTER CLIP - GAGE BAR	AR	387450	
18	E-CLIP - GATE	AR	V801080	
19	GATE LINK	AR	388632	
20	SPRING	AR	387849	
21	GAGE BAR	AR	389399	
22	GATE	AR	389398	
23	BUSHING - GATE (FRONT & REAR)	AR	385603-5	

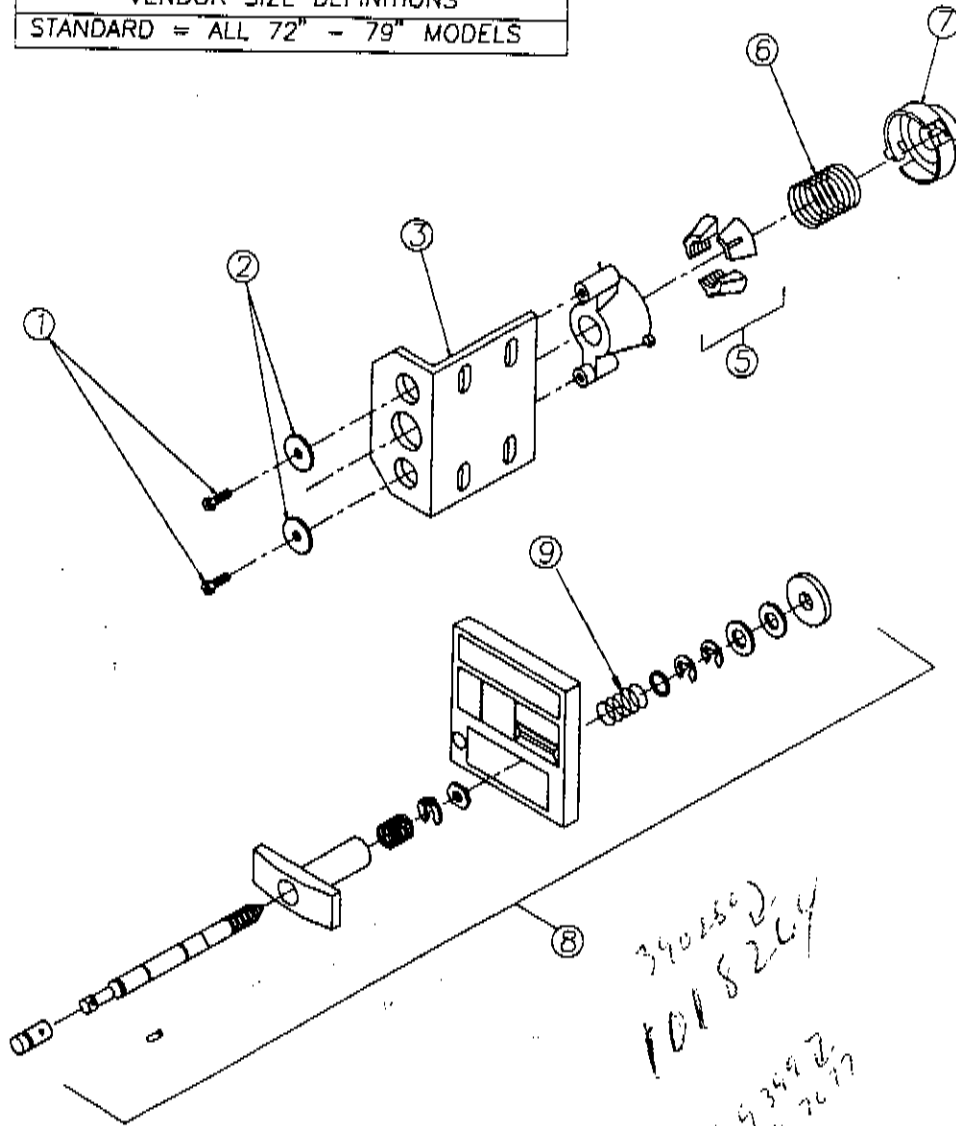
NOTE: ITEM LETTER "HARDWARE" LISTED ON PAGE A-14
 *NOTE: SEE KIT LISTS ON PAGE A-5 AND PAGE 9 OF THE SERVICE SECTION

"UNIVENDOR" QUICK-LOCK ASSEMBLY (HEAVY DUTY)

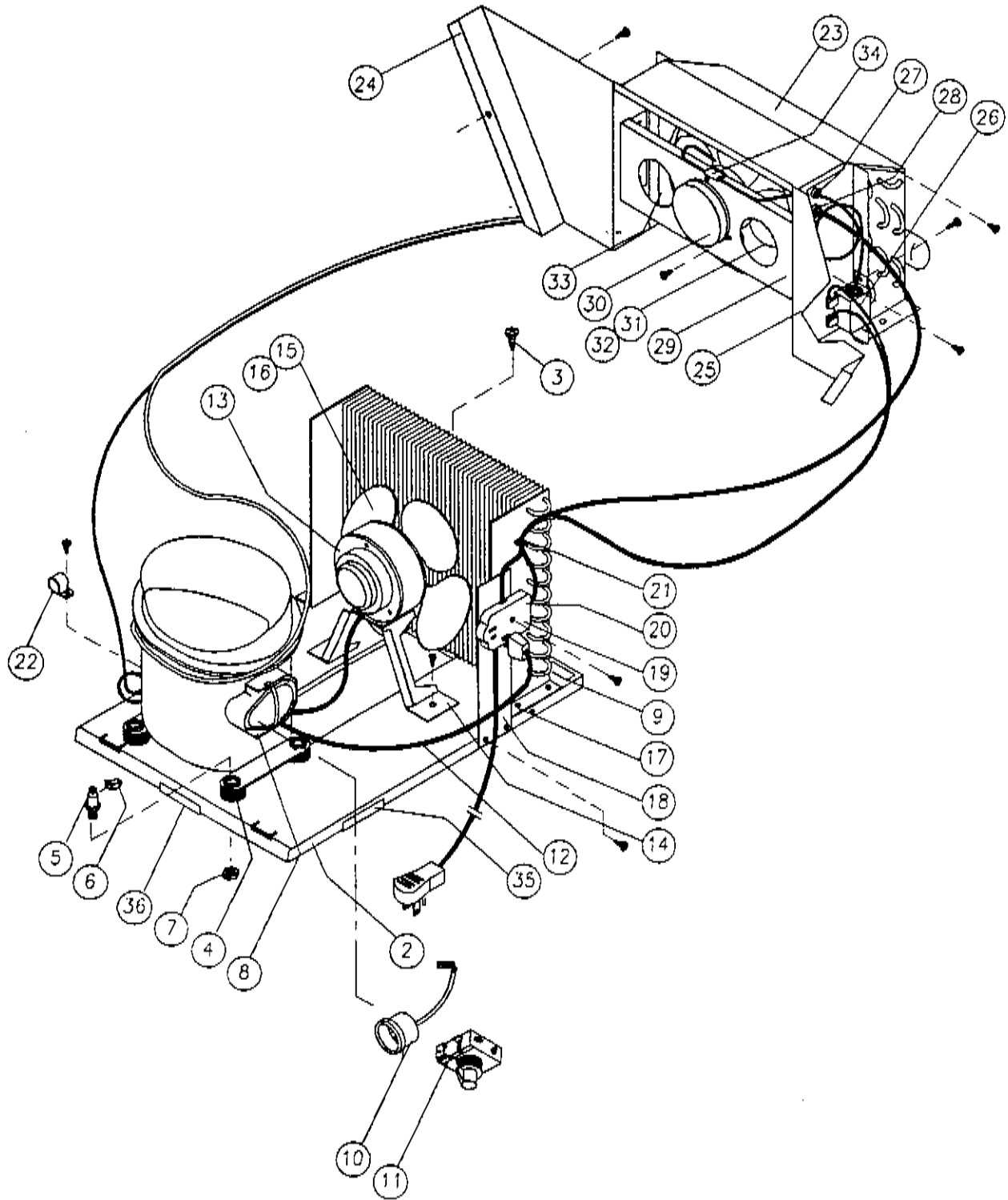
ITEM NUMBER	PART NAME & DESCRIPTION	NUMBER REQUIRED	PART NUMBER
~	QUICK-LOCK ASS'Y - STANDARD VENDOR	1	134560
1	SCREW TAPPING	2	V801474
2	WASHER	2	389026
3	LATCH BRACKET - STANDARD VENDOR	1	389516
4	RETAINER NUT	1	389022
5	NUT SEGMENT	3	389023
6	SPRING - HEAVY DUTY	1	389690
7	CAP - HEAVY DUTY	1	389689
8	T-HANDLE ASS'Y - SEE NOTE BELOW	1	~
9	SPRING - HEAVY DUTY	1	389691

NOTE: HEAVY DUTY SPRING MUST BE USED IN T-HANDLE ASSEMBLY, IF HEAVY DUTY QUICK-LOCK ASSEMBLY IS USED.
 ALL PARTS ARE INTERCHANGEABLE BETWEEN STANDARD AND SMALL VENDORS WITH THE EXCEPTION OF THE LATCH BRACKET.
 ALL PARTS ARE INTERCHANGEABLE BETWEEN HEAVY DUTY AND STANDARD QUICK-LOCK ASSEMBLIES WITH THE EXCEPTION OF THE SPRING AND CAP.

VENDOR SIZE DEFINITIONS
STANDARD = ALL 72" - 79" MODELS



Handwritten notes:
 389023
 1015264
 389349
 1027077



388

"UNIVENDOR" REFRIGERATION ASSEMBLY 3D

ITEM NO.	PART NO. SUPER 1/3 HP	QTY. REQ.	DESCRIPTION	ITEM LETTER
1	133398	1	REPLACEMENT REFRIGERATION SYSTEM	
2	388907	1	BASE - REFRIGERATION	
3	V384174-1	1	SCREW - REFRIG. SYSTEM HOLD-DOWN	
4	323090-1	4	GROMMET - COMPRESSOR MOUNT	
5	343872	2	STUD - COMPRESSOR MOUNT	
6	343874	2	CLIP - COMPRESSOR MOUNT	
7	V800949	2	NUT - COMPRESSOR STUD	
8	344308	1	COVER - OVERLOAD	
~	344306	1	BAIL STRAP - COVER	
9	~	1	NAME PLATE - REFRIGERATION	
10	45052-33	1	OVERLOAD PROTECTOR	
11	333894-19	1	START RELAY	
12	344105	1	COMPRESSOR CORD	JJ
13	42321-36	1	FAN MOTOR - CONDENSER	
14	389797	1	BRACKET - CONDENSER FAN	II
15	320766...	1	FAN BLADE - CONDENSER FAN	
16	321304	1	RETAINER CLIP - FAN BLADE	
17	916923	2	TINNERMAN - CONDENSER MOUNT	KK
18	334052-1	1	BRACKET - SERVICE CORD	CC
19	134754	1	SERVICE CORD	LL
20	V800892	2	BRASS NUT - CORD EYELET	
21	384692-3	1	CLAMP - WIRE ROUTING	
22	324099-3	1	CLAMP - DRIER	CC
23	389556	1	TOP COVER - EVAPORATOR	
24	389554-1	1	LEFT EXTENSION - EVAPORATOR	CC
25	389554	1	RIGHT EXTENSION - EVAPORATOR	CC
26	368794	1	TEMPERATURE CONTROL	CC
27	389747	1	BUSHING - TEMP. CONTROL PROBE	
28	327699-2	1	BUSHING - EVAP. FAN WIRE	
29	389038	1	BRACKET - EVAP. FAN MOTOR	
~	388731	1	BRACKET-EVAP. FAN MOTOR(SLIM LINE MILITARY)	CC
30	42321-17	2	FAN MOTOR - EVAPORATOR	JJ
31	328579	2	FAN BLADE - EVAP. FAN	
32	343874	2	RETAINER CLIP - FAN BLADE	
33	360820	1	ORIFICE PLATE - EVAP. FAN	CC
34	914161	1	CLIP - TEMP. CONTROL PROBE	
35	388304-1	2	EDGE TRIM - BASE (SHORT) NOT SHOWN	
36	388304	1	EDGE TRIM - BASE (LONG)	

NOTE: ITEM LETTER "HARDWARE" LISTED ON PAGE A-14