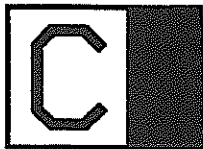
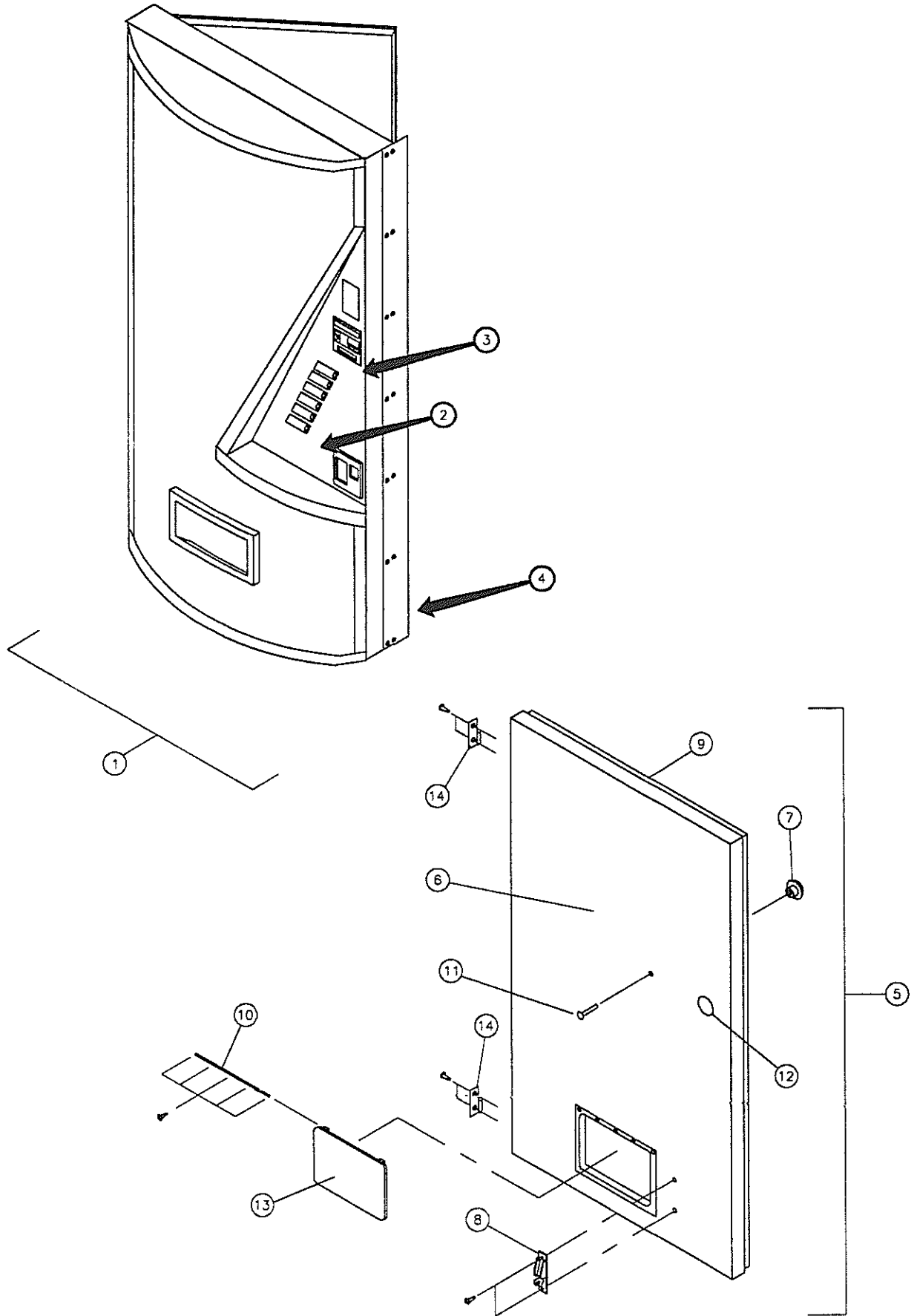


1702

“UNIVENDOR”[®]
DR. PEPPER 3D
PARTS SECTION



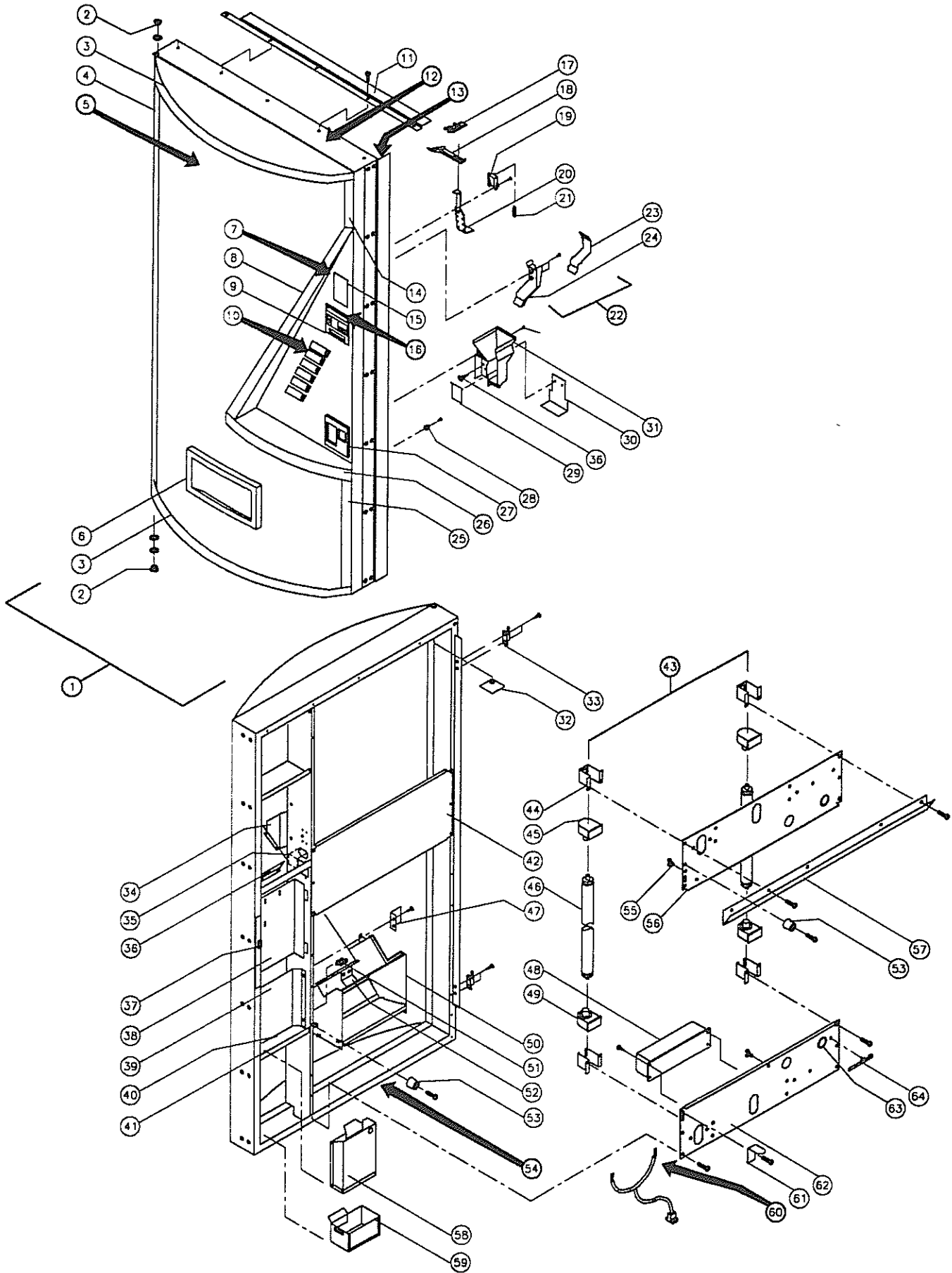
390150 C



"UNIVENDOR"®

ITEM NO.	DR. PEPPER—MAIN DOOR 3D			510-516	600-606	ITEM LETTER
	PART NAME & DESCRIPTION	REQ.	PART NO.	PART NO.		
1	OUTER DOOR ASSEMBLY - 8 SEL.	1	133792-6	133792-5		
2	SELECTION ASSY (SEE PG. C 6)	1	~	~		
3	COIN INSERT ASSY (SEE PG. C 6)	1	~	~		
4	DOOR HARNESS (SEE PAGE A4)	1	1	~		
5	INNER DOOR ASSEMBLY (FINAL)	1	134302-8	134302-9		
6	INNER DOOR ASSEMBLY (FOAMED)	1	133438-8	133438-9		
7	DOOR KNOB	1	388305	388305		
8	LATCH MECHANISM	1	388435	388435	CC	
9	DOOR GASKET KIT (SEE PAGE A5)	1	~	~		
10	PIN HINGE	1	389985	389985	C	
11	BOLT - KNOB	1	V329258	V329258		
12	GROMMET	2	388090	388090		
13	DELIVERY DOOR	1	387270	387270		
14	HINGE LEAF	2	388148	388148	CC	

NOTE: ITEM LETTER "HARDWARE" LISTED ON PAGE A-14
 NOTES: FOR LABELS AND DECALS SEE PAGE A6
 FOR FLAVOR LABELS SEE PAGE A14

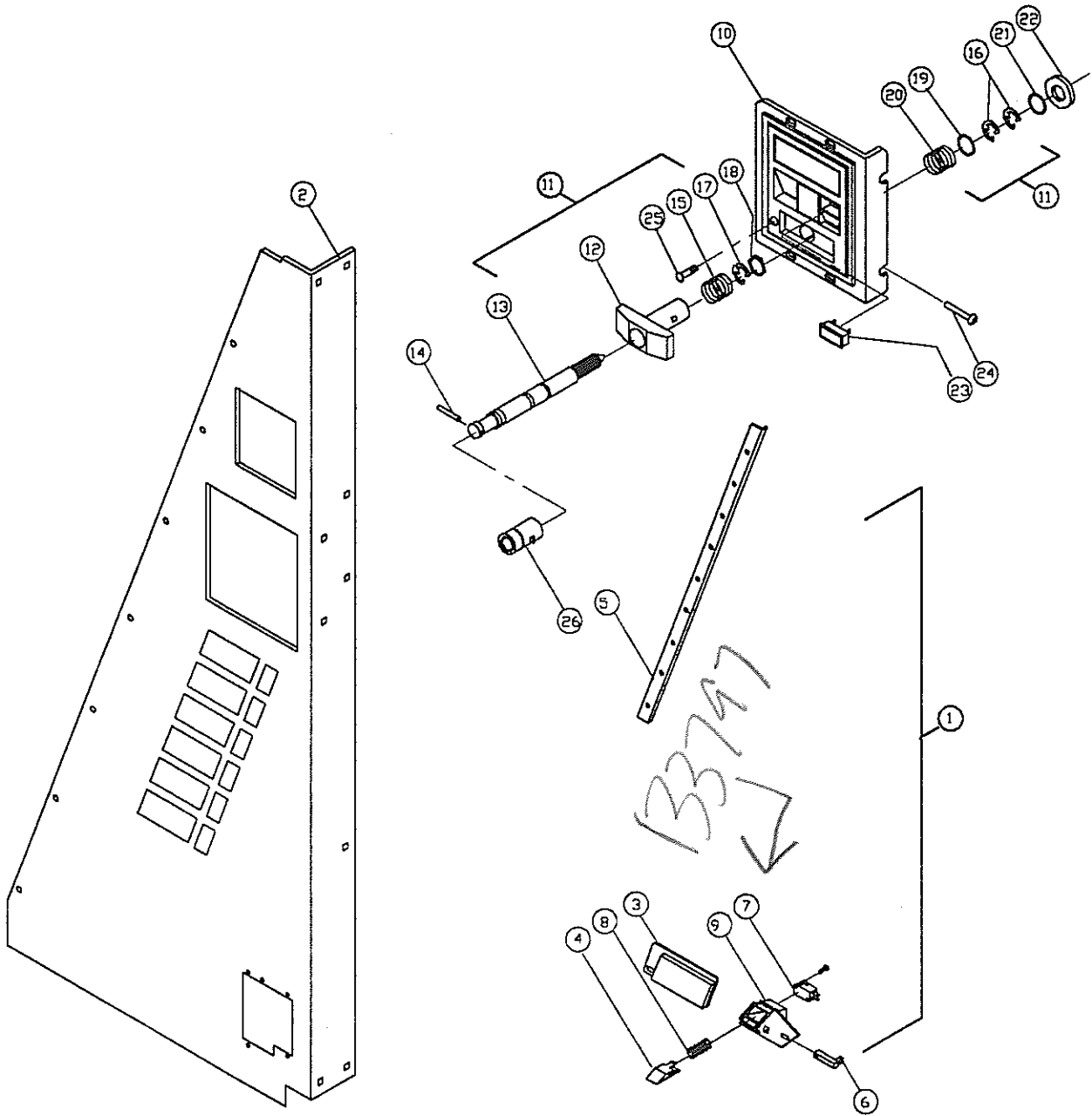


"UNIVENDOR" DR. PEPPER OUTER DOOR - 3D

ITEM NO.	DESCRIPTION	REQ.	MODEL NUMBERS		ITEM LETTER
			510 - 516	600 - 606	
			PART NO.	PART NO.	
1	OUTER DOOR ASSEMBLY - SEE PAGE C-2	1	~	~	
2	BUSHING - DOOR HINGE	2	388094	388094	NN,EE
3	SIGN CAP - TOP/BOTTOM	2	388121	388121	
4	SIGN FRAME - LEFT	1	388125-2	388125	CC
5	SIGN FACE	1	388826-1	388826	
6	EYELET TRIM	1	388271	388271	FF
7	VALIDATOR PLUG - SEE PAGE C-6	1	~	~	
8	SIGN FRAME - CONTROL PANEL	1	388906	388906	
9	COIN INSERT CASTING	1	389780	389780	
10	SELECTION PANEL - SEE PAGE C-6	1	~	~	
11	DOOR RAIN GUARD - BLACK	1	133647-2	133647-2	S
12	DOOR FRAME WELD - SEE PAGE C-2	1	~	~	
13	DOOR GUARD - SEE PAGE E-10	1	~	~	
14	SIGN FRAME - UPPER RIGHT	1	~	388125-7	Q
15	CORRECT CHANGE LAMP	1	387124	387124	
16	T-HANDLE ASSY. - SEE PAGE C-6	1	~	~	
17	T-HANDLE CHUTE	1	389240	389240	
18	SCAVENGER CHUTE	1	388944	388944	
19	RETAINER - LEVER	1	388220	388220	U
20	SCAVENGER LEVER	1	388690	388690	
21	SPRING - LEVER	1	387849	387849	
22	COIN INSERT CHUTE ASSEMBLY	1	133428	133428	
23	COVER - CHUTE	1	389066	389066	
24	COIN INSERT CHUTE	1	389065	389065	
25	SIGN FRAME - LOWER RIGHT	1	388125-6	388125-6	U
26	MID CAP	1	388857	388857	
27	COIN RETURN TRIM	1	389791-1	389791-1	
28	CUP WASHER - TRIM	2	337241-1	337241-1	FF
29	COIN RETURN DOOR	1	389790	389790	
30	CROWN BLOCKER	1	388455	388455	
31	CUP - COIN RETURN	1	388111	388111	FF,CC
32	BACKING PLATE	1	388443	388443	
33	HINGE - INNER DOOR	2	388149	388149	
34	BARRIER PANEL - UPPER	1	388853	388853	CC
35	RAIN GUTTER - CONTROL PANEL	1	388927	388927	
36	CREDIT RELAY	1	353343	353343	
37	LATCH - COINAGE DOOR	1	389612	389612	
38	COINAGE DOOR ASSEMBLY	1	133435	133435	E
39	BARRIER PANEL	1	388244	388244	
40	BULKHEAD	1	388119	388119	
41	STRIKE	1	388433	388433	
42	SHEAR PANEL - MIDDLE	1	389834-1	389834-1	
43	LIGHT ASSEMBLY	1	134308-8	134308-16	
44	LAMP HOLDER - PLUNGER (SLIM LINE)	2	388260	388260	
45	BRACKET - LAMPHOLDER	1	388409	388409	
46	FLUORESCENT LAMP (SLIM LINE)	2	388320-1	388320	
47	SUPPORT BRACKET	1	388852	388852	
48	BALLAST - LAMP (SLIM LINE)	1	388259	388259	
49	LAMP HOLDER - FIXED (SLIM LINE)	2	388261	388261	
~	DELIVERY HOPPER ASSEMBLY	1	134789	134789	
50	EXTENTIONS - HOPPER	2	389088	389088	
51	CLAMP	A/R	384692-2	384692-2	
52	SUPPORT BRACKET - HOPPER	1	388933	388933	
53	BUMPER - DOOR	2	369466-2	369466-2	CC
54	DOOR HARNESS-SEE PG. A-4 (NOT SHOWN)	1	~	~	
55	HARNESS CLIP	3	384692	384692	
~	SHEAR PANEL - UPPER	1	388117	388117	
56	SAIL PANEL (NOT SHOWN)	1	~	~	
57	RAIN GUTTER	1	388581-1	388581-1	CC
58	COIN BOX	1	133563	133563	
59	CROWN BOX	1	133560	133560	
60	LIGHT HARNESS-SEE PG. A-4	~	~	~	
61	RAMP - INNER DOOR	1	388367	388367	
62	SHEAR PANEL - LOWER	1	388117	388117	
63	GROMMET	1	327021	327021	
64	HARNESS TIE	2	388359-1	388359-1	
64	SPLICE - TOP SHEAR PANEL (NOT SHOWN)	1	~	~	

NOTE: ITEM LETTER "HARDWARE" LISTED ON PAGE A-14

NOTE: FOR LABELS AND DECALS SEE PAGE A-6



"UNIVENDOR" DR. PEPPER 3D
SELECTION PANEL / DOOR LATCH

ITEMS BELOW ARE LISTED BY MODEL & NUMBER OF SELECTIONS

MODEL	ITEM NUMBER		1	2
	NUMBER OF SELECTIONS	NO. REQ.	BUTTON PANEL ASSY.	SELECTION PANEL
510-516 600-606	* 6 - SELECT	1	134770-3	1347693
510-516 600-606	7 - SELECT	1	134770-4	134769-4
	8 - SELECT	1	134770-5	134769-5
	9 - SELECT	1	134770-6	134769-6
	10- SELECT	1	134770-7	134769-7

ITEMS LISTED BELOW COMMON TO ALL CONFIGURATIONS

ITEM NO.	PART NAME & DESCRIPTION	NO. REQ'D.	PART NO.	ITEM LETTER
1	BUTTON ASSEMBLY	1	SEE ABOVE	
2	SELECTION PANEL	1	SEE ABOVE	
3 ***	SELECTION WINDOW - MEDIUM	AR	388832	
4	SELECTION BUTTON - SMALL	AR	388845	
5	BUTTON RETAINER	AR	388868	J
6	SOLD-OUT LAMP	AR	383991	
7	SELECTION SWITCH	AR	368299	MM
8	RETURN SPRING	AR	388858	
9	HOUSING - SELECTION BUTTON	AR	388829	
10	COIN INSERT CASTING	1	389780	
11	LOCK ASSEMBLY	1	134734	
12	"T" HANDLE	1	387603	
13	LOCKING STUD (BOLT)	1	388131	
14	PIN - STUD	1	387601	
15	SPRING	1	387598	
16	"E" RETAINER RING	2	387719	
17	"E" RETAINER RING	1	388589	
18	HEX FLAT WASHER	1	387600	
19	FLAT WASHER	1	387718	
20	SPRING (HEAVY)	1	389691	
21	FLAT WASHER - 1/2"	2	V801023	
22	VAPOR SEAL	1	388132	
23	CORRECT CHANGE LIGHT	1	387124	
24	CARRIAGE BOLT	AR	389748-2	
25	CARRIAGE BOLT	1	V802005	
26 **	KEY AND LOCK ASSEMBLY	AR	~	

NOTE: ITEM LETTER "HARDWARE" LISTED ON PAGE A-14

* NOTE: 6 SELECT SHOWN

*** NOTE: FOR FLAVOR LABELS, SEE PAGES A8 THRU A13

** NOTE: KEY AND LOCK CAN BE ORDERED THROUGH VENGUARD

