

PARTS MANUAL

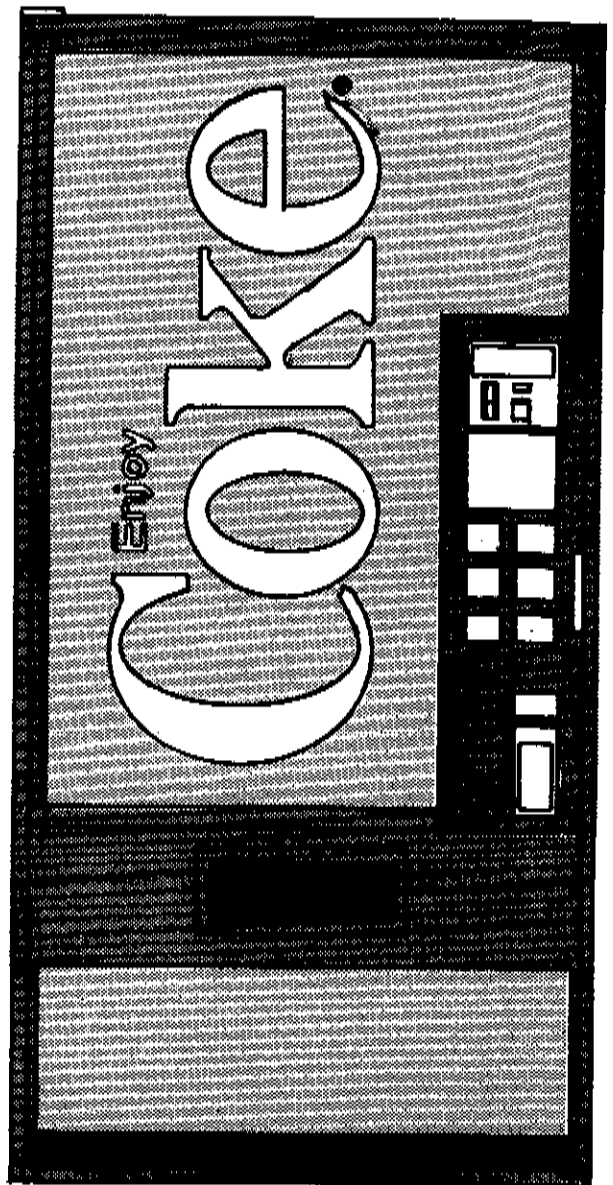
E-Z LOAD SUPER - STACK

CANS

214
220
276
322
340
420
476
544

BOTTLES

118AE
125AC
156AE
182AE
190AC
231AE
266AG
304AU



Vendo[®]

Literature No. 384666A



TABLE OF CONTENTS

MODEL DESIGNATION; SPECIFICATIONS.....	1
PARTS ORDERING PROCEDURE.....	1, 2
MATERIAL RETURN PROCEDURE.....	2, 3
REFRIGERATION RETURN, READING A PARTS LIST.....	3
OUTER DOOR - 118, 125, 156, 182.....	4, 5
OUTER DOOR - 190, 231, 266, 304.....	6, 7
CONTROL PANEL.....	8, 9
DOOR HARNESS.....	10, 11
COINAGE PANEL.....	12
DOOR LATCH.....	13
INNER DOOR - 118, 125, 156, 182, 190.....	14, 15
INNER DOOR - 231, 266, 304.....	16, 17
REFLECTOR ASSEMBLY - 231.....	18
REFLECTOR ASSEMBLY - 118, 125, 156, 182.....	19
STACK - 118, 125, 156, 182.....	20, 21
STACK - 190, 231, 266, 304.....	22, 23
VEND. MECH. HARNESS.....	24
VEND. MOTOR.....	25
CABINET - 118, 125, 190.....	26, 27
CABINET - 156, 182, 231, 266, 304.....	28, 29
REFRIGERATION.....	30, 31
FLAVOR STRIPS, PRICE LABELS.....	32
VENDO WARRANTY.....	33



MODEL IDENTIFICATION

This manual applies to any 1981 Super Stack Vender. When requesting information about your Vender, please refer to the complete MANUFACTURERS NUMBERS AND SERIAL NUMBER. This information may be obtained from the metal identification plate attached to the side of the cabinet.

SPECIFICATIONS

NOTE: All Electrical Requirement 115 Volt AC - 60 Hertz

SALES MODELS	HEIGHT	WIDTH	DEPTH	SHIPPING WEIGHT	BOTTLES * 6 1/2 OZ. (Return.)	BOTTLES ** 10 OZ. **	CANS-12 OZ. RIMLESS OR ALUMINUM	CANS-12 OZ. RIMMED STEEL	REFRIG H/P
118/214	64"	32"	24 3/8"	510 lbs.	118	113	209	209	1/5
125/220	64"	32"	24 3/8"	510 lbs.	125	120	215	215	1/5
156/276	66"	38 1/2"	24 3/8"	605 lbs.	156	150	270	270	1/5
182/322	66"	38 1/2"	24 3/8"	635 lbs.	182	175	316	316	1/5
231/420	72"	38 1/2"	24 3/8"	690 lbs.	231	224	413	399	1/3
190/340	79"	32"	24 3/8"	590 lbs.	190	185	335	325	1/5
266/476	79"	38 1/2"	24 3/8"	715 lbs.	266	259	469	455	1/3
304/544	79"	46 7/32"	24 3/8"	830 lbs.	304	296	536	520	1/2

* TOTAL CAPACITY

**NON-RETURNABLE POLYLABELED DOUBLE DEPTH LOADING

PARTS ORDERING PROCEDURE

When ordering parts, include the following information:

1. Shipping address.
2. Address where the invoice should be sent.
3. The number of parts required.



4. Always refer to the pertinent parts and/or service manual for the correct part number and description of a specific part.
 - a. If you do not have the right parts manual at the time you order, contact The Vendo Company, 1967 North Gateway Blvd., Fresno, California 93727.

Don't hold the order pending receipt of the parts manual; use the most accurate description you can (and the model number and serial number of the machine); include the name of the assembly in which the part is used and, if practical, a sample part. Furnish any information which will enable our order department to pinpoint the exact part needed.
 - b. When "RIGHT" and "LEFT" are used in connection with the name of a part, it is taken to mean that the person is facing the machine.
5. Always include model number and the serial number of the machines for which the parts are needed on the order.
6. List any special shipping instructions.
 - a. Always note on the order if you require air or air special, truck, parcel post or rail. If a specific carrier is desired, note it on the order.
7. Sign the order and note the date entered on the order.
8. When a purchase order number is used, be sure that it is legible and visible.

Mail your order to: The Vendo Company
 1967 North Gateway Blvd.
 Fresno, California 93727

All orders are carefully packed and inspected prior to shipment. Damage incurred during shipment should be reported at once and a claim filed with the terminating carrier.

MATERIAL RETURN PROCEDURE

All items returned must be accompanied by material return tags clearly stating the reason for return. (Tags are available on request.) To replace an inoperative part within the terms of the warranty, please follow these instructions.

1. If a replacement part was taken from the available parts stock and installed on the machine, proceed as follows:
 - a. Complete a parts return tag. Be sure all of the requested information is written in.
 - b. Keep the white (top) copy.
 - c. Attach the tag to the inoperative parts and send it by the cheapest method of transportation to: The Vendo Company, 4015 East Raines Road, Memphis, Tennessee 38118.
 - d. A like part will be shipped prepaid, at no charge if our inspection shows the inoperative part became defective in warranty.
 - e. If a part does not meet the terms of the warranty, it will be replaced with a new part and invoiced accordingly. The returned part will be scrapped to eliminate further handling charges.
2. If a spare part is not available to put on the machine, order the part required. Call 800-344-7216 (In California call 800-742-1815) for emergency requirements. The part will be shipped and invoiced to you. After the replacement is received, follow the procedure as outlined above under Number 1.

After exchange of the part on the machine, complete a material return tag. Check the box marked "Credit" and fill in the invoice number covering the part.

Attach the tag to the inoperative part and send it by the cheapest method of transportation to: The Vendo Company, 4015 East Raines Road, Memphis, Tennessee 38118.

If our inspection shows the inoperative part became defective in warranty, a credit will be issued to cancel the invoice on which the replacement part was shipped. This credit will include any prepaid transportation charges. To receive credit the inoperative part MUST be returned within 30 days from the date the replacement was shipped.

We do not issue cash credit for the return of any part or accessory.

REFRIGERATION & ICE MAKER RETURN PROCEDURE

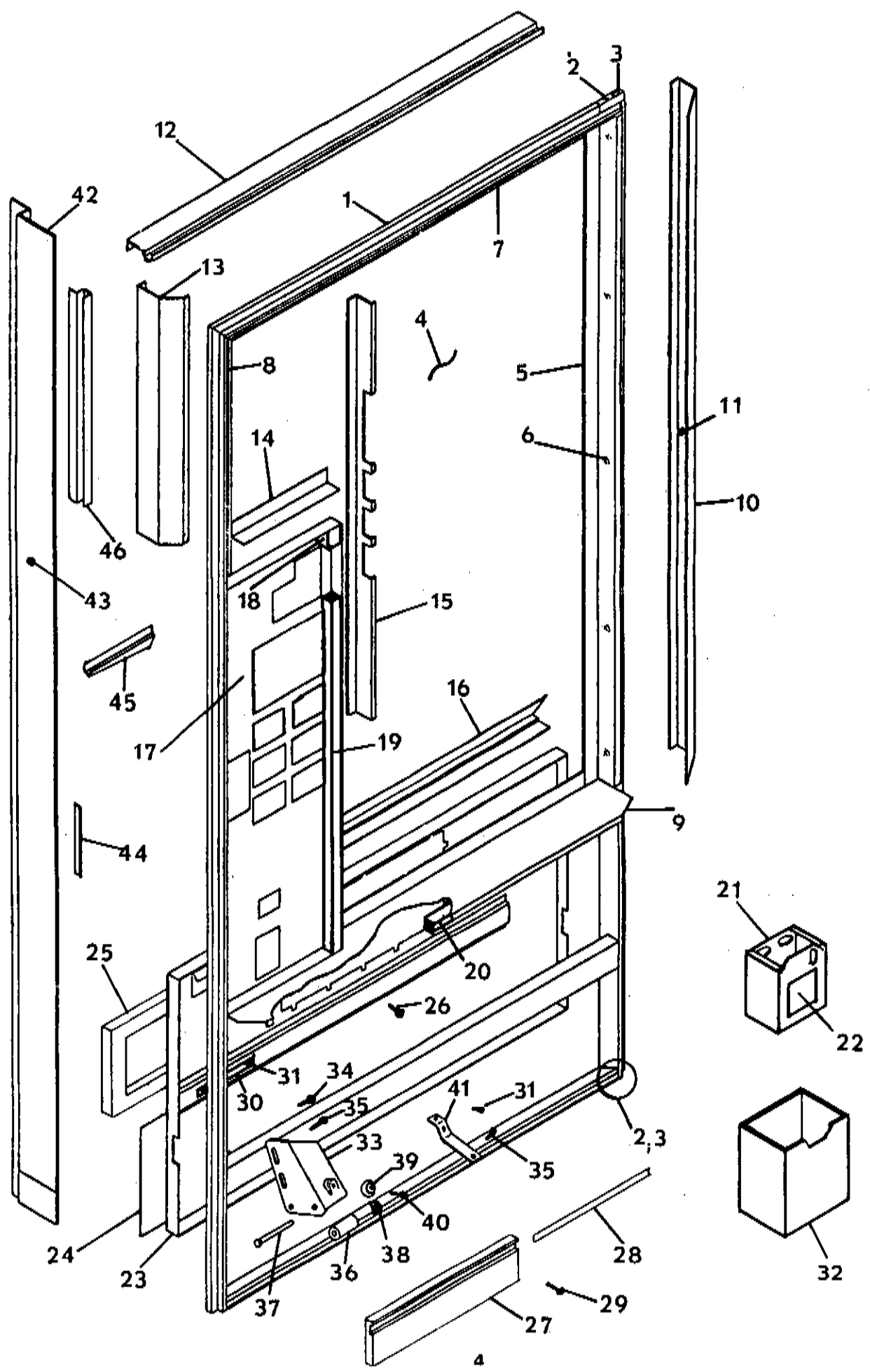
Refrigeration Units and Ice Makers require a separate tag for each item returned. The procedure is the same as for parts except the original is attached to the unit and the customer keeps the copy for his records. All refrigeration systems are to be returned to: The Vendo Company, 4015 East Raines Road, Memphis, Tennessee 38118.

The return tag should be filled out in its entirety.

READING A PARTS LIST

1. Step 1 is the Vend Motor Assembly. Anything indented (A) under that part is a detail part of the assembly and will be included in that part number.
2. Step 2 is an assembly which is a part of the Vend Motor Assembly. Example: Motor Hub Assembly. Any part indented (B) under the Motor Hub Assembly is a detail part of that Motor Hub Assembly.
3. Step 3. This step shows that the parts which are not a part of the Motor Hub Assembly, return to the left in line with the Motor Hub Assembly, thus continuing the Vend Motor Assembly. All parts indented under the Vend Motor Assembly are part of the Vend Motor Assembly and all parts indented under the Motor Hub Assembly make up the Motor Hub Assembly.
4. Step 4 shows individual parts. This shows that any part that is not indented under an assembly is not part of an assembly on that page.

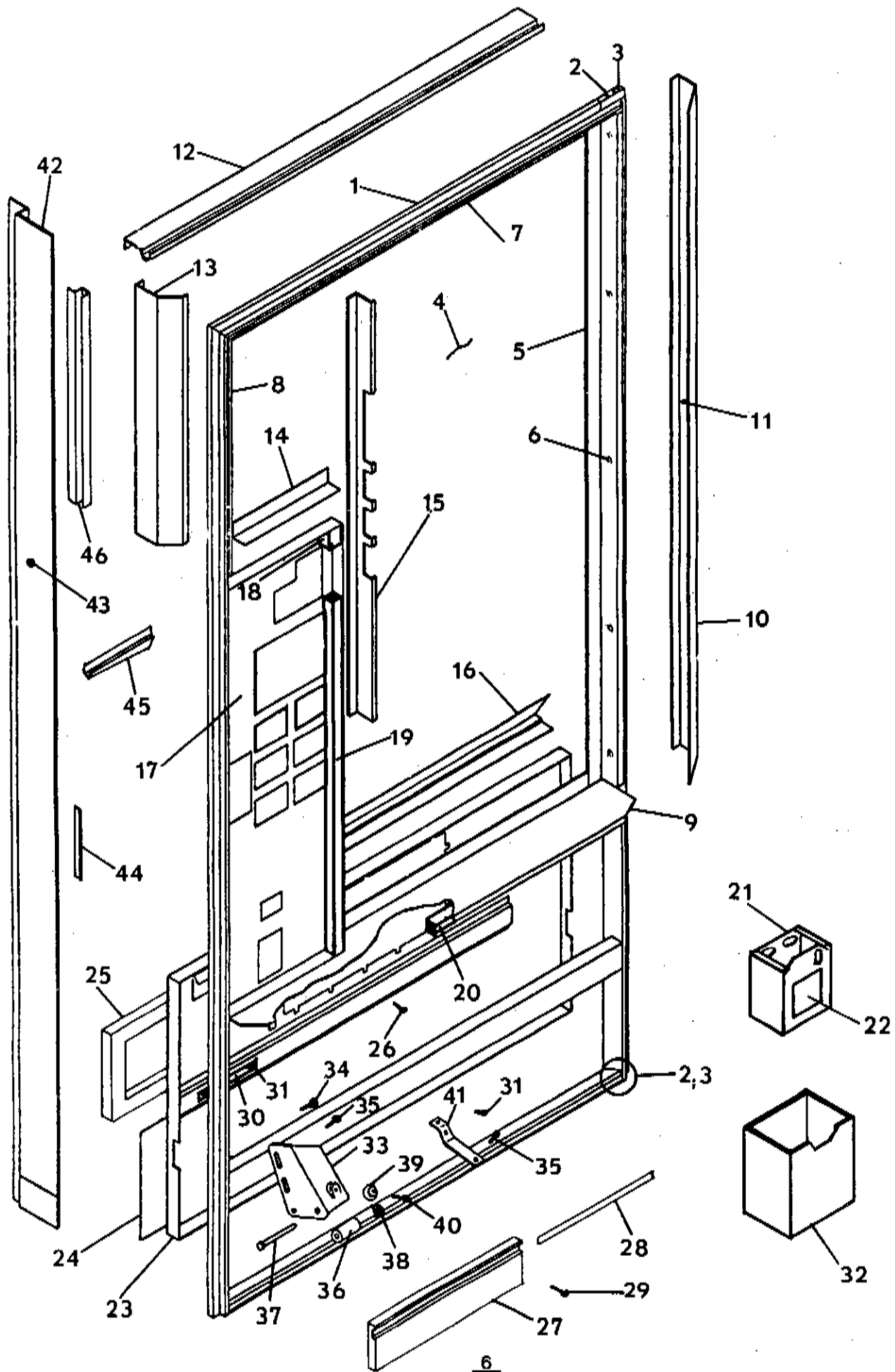
		ITEM NO.	PART NO.	NO. REQ.	PART NAME AND DESCRIPTION
		-	124553	1	Vend Motor Assembly
Step 1	"A"	1	370937	1	Hub - Cam
		2	V801147	1	Woodruff Key (Not Shown)
		3	370526	1	Cover Plate - Cam
		4	370527	1	Cam - Switch
		5	125321	1	Motor Hub Assembly
		6	371062	1	Motor
		7	368299	1	Switch (Motor Start)
		8	370781	1	Insulator - Switch
		9	V800276	3	Machine Screw
		10	321289-2	1	Lock Washer
		11	V800899	1	Screw
		12	V800570	1	Nut





OUTER DOOR ASSEMBLY

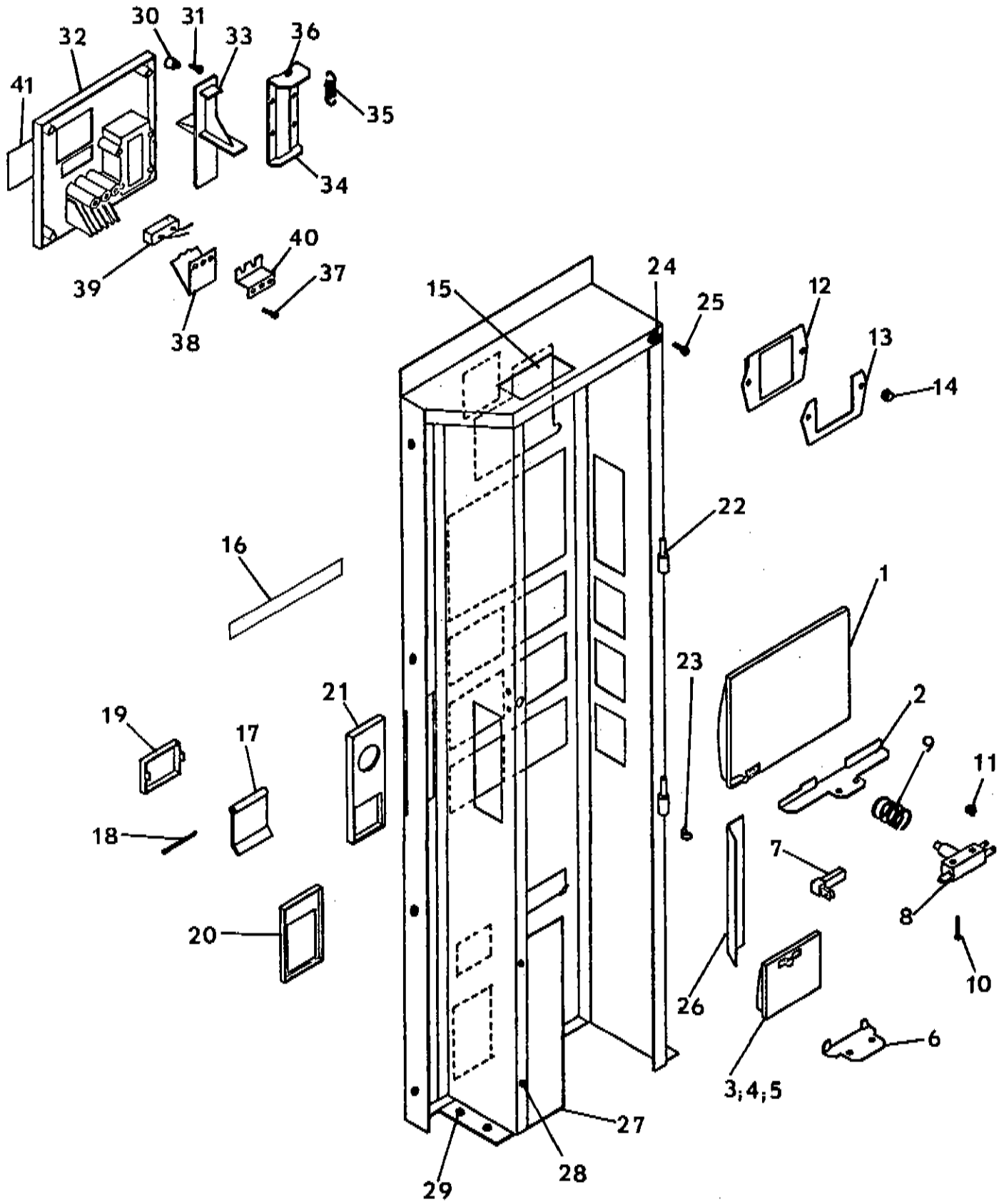
ITEM NO.	118 PART NO.	125 PART NO.	156/182 PART NO.	NO. REQ.	PART NAME AND DESCRIPTION
1	131606-3	131606-3	131606-4	1	Door Frame Weld
2	383616	383616	383616	2	Hinge Pin Casting
3	V801418	V801418	V801418	A/R	Rivet - Hinge Pin Casting
4	383955-4	383955-4	383955-5	1	Sign Face
5	383907-3	383907-3	383907-2	1	Sign Frame - Left Side
6	V801422	V801422	V801422	A/R	Tapping Screw
7	384031	384031	384031-1	1	Sign Frame - Top
8	-	-	-	-	Sign Frame - Right Side (Top)
9	383891	383891	383891-1	1	Sign Frame - Bottom
10	383921-3	383921-3	383921-2	1	Sign Retainer - Left Side
11	V800503	V800503	V800503	A/R	Tapping Screw
12	383909	383909	383909-1	1	Sign Retainer - Top
13	-	-	-	-	Sign Retainer - Right Side (Top)
14	-	-	-	-	Sign Retainer - Control Panel
15	384030	384030	384030-1	1	Sign Retainer - Right Side
16	383593	383593	383593-1	1	Sign Retainer - Bottom
17	131488-7	131488-7	131488-8	1	Control Panel Weld Assembly
18	383918	383918	383918	1	Bracket - Coin Connector
19	383919	383919	383919	1	Duct - Coinage Harness
20	383920	383920	383920-1	1	Duct - Door Harness
21	131548	131548	131548	1	Coin Box Weld
22	376433	376433	376433	1	Label - Coinage
23	131457-6	131457-6	131457-7	1	Door Panel Weld
24	384012-6	384012-6	384012-7	1	Vinyl Door Panel
25	384337	384337	384337	1	Trim - Eyelet
26	V800570	V800570	V800570	A/R	Tapping Screw
27	384335	384335	384335	1	Bumper - Eyelet
28	384552	384552	384552	1	Retainer - Bumper
29	V800572	V800572	V800572	A/R	Tapping Screw
30	320928	320928	320928	1	Bracket Crown Box
31	V801421	V801421	V801421	A/R	Tapping Screw
32	320943	320943	320943	1	Crown Box
33	382958	382958	382958	1	Roller Bracket - Door
34	V801312	V801312	V801312	2	Tapping Screw
35	V342624	V342624	V342624	1	Self Drill Screw
36	368656	368656	368656	1	Roller
37	368657	368657	368657	1	Pin
38	V801368	V801368	V801368	1	Retainer
39	369466	369466	369466	1	Bumper - Door
40	V800498	V800498	V800498	1	Tapping Screw
41	384696	384696	384696	1	Brace - Bottom Frame
42	383102-1	383102-1	383104-4	1	Door Guard
43	383118	383118	383118	A/R	Drive Rivet
44	384223	384223	384223	8"	Neoprene Foam Tape (In Inches)
45	384293	384293	384293	1	Trough - Rain (Control Panel)
46	384292	384292	384292	1	Trough - Rain
47	383978-1	383978-1	383978-1	1	Base Vinyl





OUTER DOOR ASSEMBLY

ITEM NO.	190 PART NO.	231 PART NO.	266 PART NO.	304 PART NO.	NO. REQ.	PART NAME AND DESCRIPTION
1	131606	131606-5	131606-1	131606-2	1	Door Frame Weld
2	383616	383616	383616	383616	2	Hinge Pin Casting
3	V801418	V801418	V801418	V801418	A/R	Rivet - Hinge Pin Casting
4	383955	383955-3	383955-1	383955-2	1	Sign Face
5	383907	383907-1	383907	383907	1	Sign Frame - Left Side
6	V801422	V801422	V801422	V801422	A/R	Tapping Screw
7	383906	383906-1	383906-1	383906-2	1	Sign Frame - Top
8	383903	383903-1	383903	383903	1	Sign Frame - Right Side (Top)
9	383891	383891-1	383891-1	383891-2	1	Sign Frame - Bottom
10	383921	383921-1	383921	383921	1	Sign Retainer - Left Side
11	V800503	V800503	V800503	V800503	A/R	Tapping Screw
12	383909	383909-1	383909-1	383909-2	1	Sign Retainer - Top
13	383908	383908-1	383908	383908	1	Sign Retainer - Right Side (Top)
14	383915	383915	383915	383915	1	Sign Retainer - Control Panel
15	383922	383922	383922	383922	1	Sign Retainer - Right Side
16	383953	383953-1	383953-1	383953-2	1	Sign Retainer - Bottom
17	131449	131449-1	131449-1	131449-2	1	Control Panel Weld Assembly
18	383918	383918	383918	383918	1	Bracket - Coin Connector
19	383919	383919	383919	383919	1	Duct - Coinage Harness
20	383920	383920-1	383920-1	383920-2	1	Duct - Door Harness
21	131548	131548	131548	131548	1	Coin Box Weld
22	376433	376433	376433	376433	1	Label - Coinage
23	131457-6	131457-7	131457-7	131457-8	1	Door Panel Weld
24	384012-6	384012-7	384012-7	384012-8	1	Vinyl Door Panel
25	384337	384337	384337	384337	1	Trim - Eyelet
26	V800570	V800570	V800570	V800570	A/R	Tapping Screw
27	384335	384335	384335	384335	1	Bumper - Eyelet
28	384552	384552	384552	384552	1	Retainer - Bumper
29	V800572	V800572	V800572	V800572	A/R	Tapping Screw
30	320928	320928	320928	320928	1	Bracket Crown Box
31	V801421	V801421	V801421	V801421	A/R	Tapping Screw
32	320943	320943	320943	320943	1	Crown Box
33	382958	382958	382958	382958	1	Roller Bracket - Door
34	V801312	V801312	V801312	V801312	2	Tapping Screw
35	V342624	V342624	V342624	V342624	1	Self Drill Screw
36	368656	368656	368656	368656	1	Roller
37	368657	368657	368657	368657	1	Pin
38	V801368	V801368	V801368	V801368	1	Retainer
39	369466	369466	369466	369466	1	Bumper - Door
40	V800498	V800498	V800498	V800498	1	Tapping Screw
41	384696	382942	384696	384696	1	Brace - Bottom Frame
42	383102-10	383102-7	383102-10	383102-10	1	Door Guard
43	383118	383118	383118	383118	A/R	Drive Rivet
44	384223	384223	384223	384223	8"	Neoprene Foam Tape (in inches)
45	384293	384293	384293	384293	1	Trough-Rain (Control Panel)
46	384291	384291	384292	384291	1	Trough-Rain
47	383978-1	383978-1	383978-1	383978-1	1	Base Vinyl

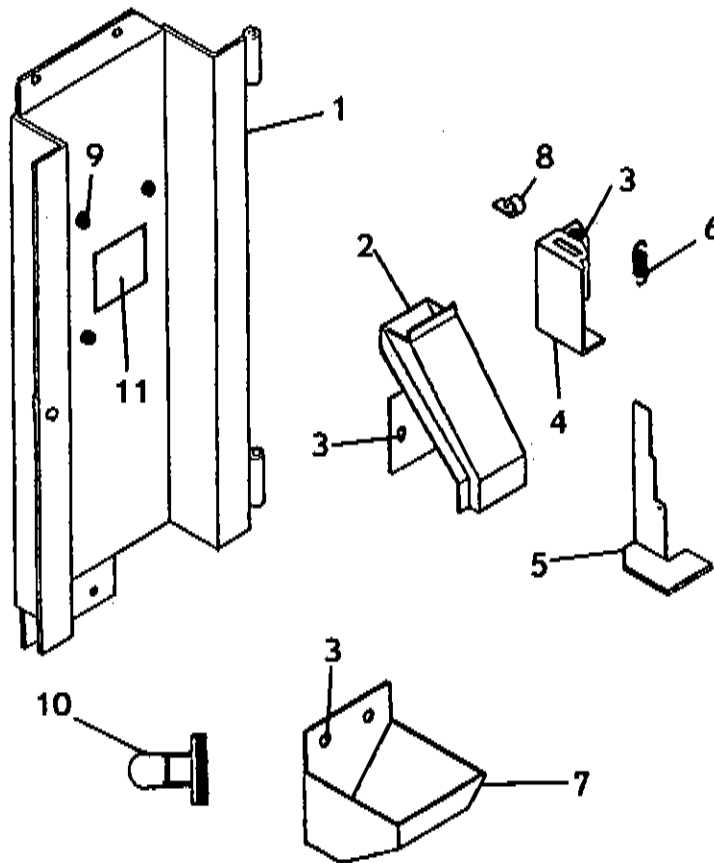


CONTROL PANEL

ITEM NO.	PART NO.	NO. REQ.	PART NAME AND DESCRIPTION
-	131488-7	1	Control Panel Weld - 118; 125
-	131488-8	1	Control Panel Weld - 156; 182
-	131449	1	Control Panel Weld - 190
-	131449-1	1	Control Panel Weld - 231; 266
-	131449-2	1	Control Panel Weld - 304
1	383403	1	Button - Large (Coke)
2	383818	1	Stop - Large Button
3	370841-1	A/R	Button - No Label
4	384228	A/R	Button - "Tab"
5	384229	A/R	Button - "Sprite"
6	383879	A/R	Stop - Small Button
7	383991	A/R	Sold Out Lamp
8	323007	A/R	Switch - Selection
9	383109	A/R	Spring
10	V800337	A/R	Machine Screw
11	V800955	A/R	Hex Nut & Lockwasher
12	384034	1	Lens - Price Window
13	384035	1	Bracket - Price Label
14	V800952	1	Hex Nut & Lockwasher
15	384076	1	Window
16	384556	1	Decal - Push & Hold...
17	320934-1	1	Door - Coin Return
18	320935	1	Pin
19	320932	1	Trim - Coin Return
20	356467-1	1	Trim - Crown Tab
21	369526	1	Trim - Latch
22	131451	1	Coinage Panel Assy. (See Page)
23	384279	1	Stop - Coinage Door
24	369466-1	A/R	Bumper - Door
25	V800791	A/R	Tapping Screw
26	383993	1	Reflector
27	384022	1	Baffle (Security)
28	V801421	A/R	Tapping Screw
29	V801422	A/R	Tapping Screw (Panel Mount)
30	337241-1	4	Cup Washer
31	V800747	4	Tapping Screw
-	131452	1	Coin Insert Assembly
32	379595-4	1	Casting
33	383343	1	Handle
34	383912	1	Bracket
35	383994	1	Spring
36	37960	1	Bumper
37	V800787	7	Tapping Screw
38	384002	1	Coin Guide
39	124435	1	Lamp (Correct Change)
40	384003	1	Clamp - Lamp
41	384014	1	Instruction Plate (Label)

Vendo®

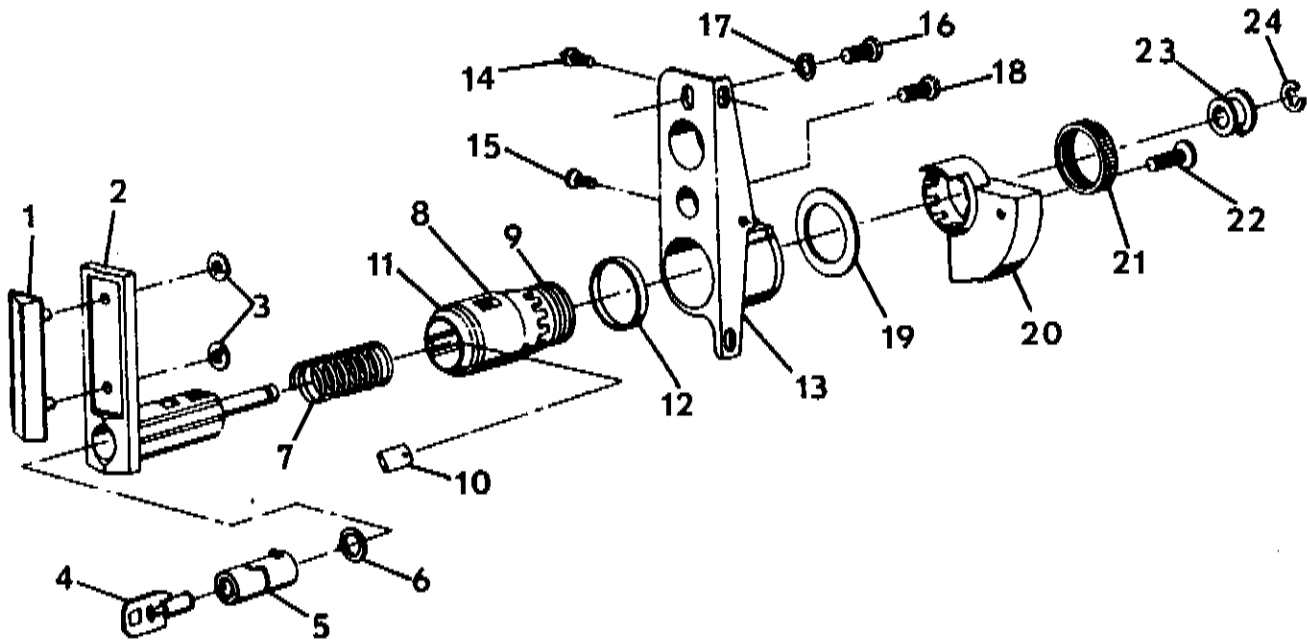
COINAGE PANEL



ITEM NO.	PART NO.	NO. REQ.	PART NAME AND DESCRIPTION
-	131451	1	Coinage Panel Assembly
1	131366	1	Coinage Door Weld
2	131459	1	Coin Chute Weld
3	V800787	8	Tapping Screw
4	383911	1	Bracket - Scavenger
5	383913	1	Actuator - Scavenger
6	383994	1	Spring - Scavenger
7	383902	1	Chute - Coin Return
8	324099-4	1	Clamp
9	V800766	3	Screw
10	379407-2	1	Latch
11	384221	1	Decal (Changer Harness)

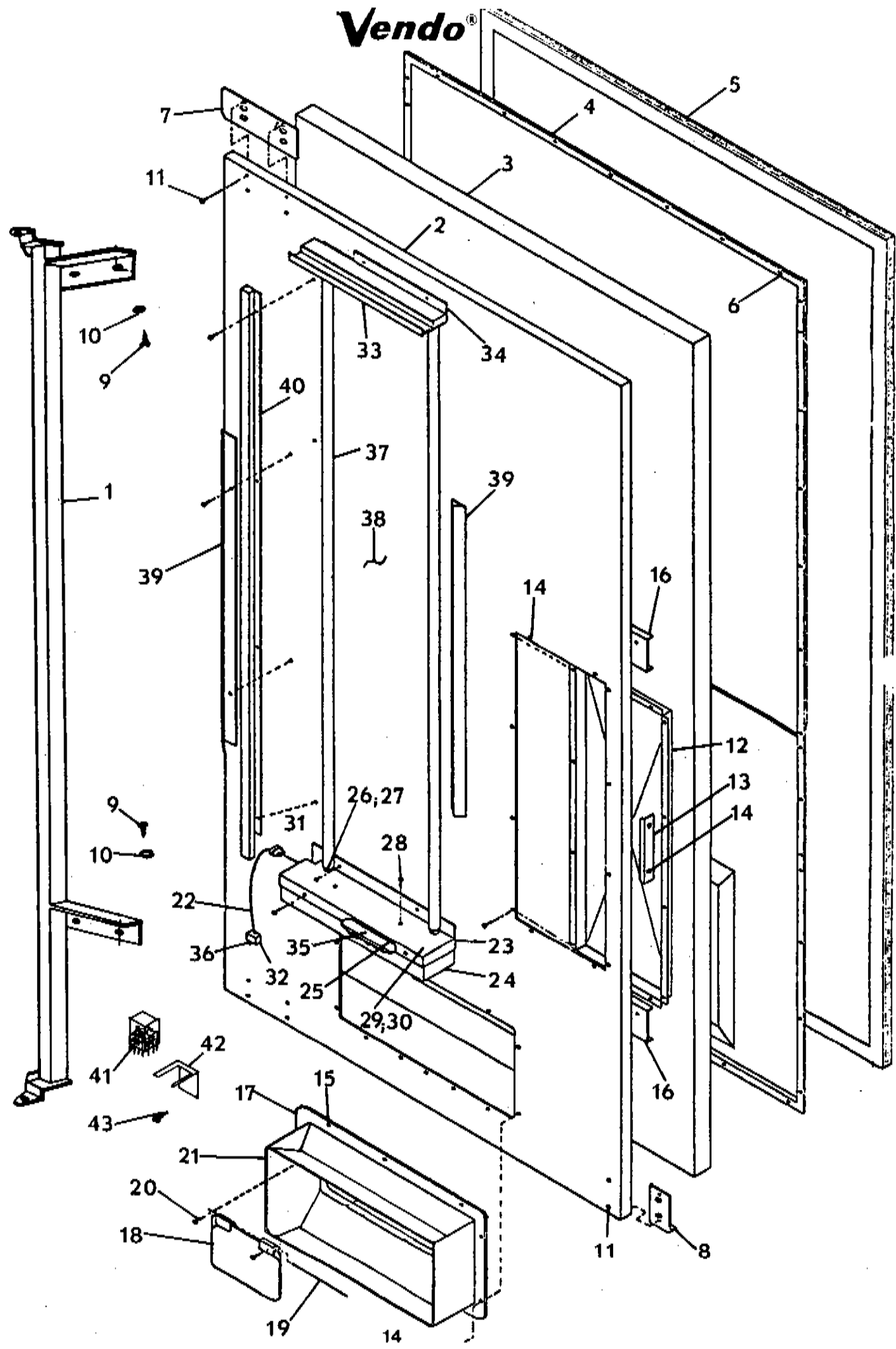
Vendo®

DOOR LATCH ASSEMBLY (110 DEGREE CAM)



ITEM NO.	PART NO.	NO. REQ.	PART NAME AND DESCRIPTION
-	127161-3	1	Door Latch Assy. (110° Cam - L. Rad.)
1	365665-1	1	Trim - Lock Handle
2	375351	1	Handle - Latch
3	V801339	2	Push On Nut
-	123298-0001	1	Lock - Flex Ace Assembly
4	346118-0001	1	Key (Specify Key Number)
5	368688-0001	1	Lock-Flex Ace (Specify Key Number)
6	375352	1	Spacer Lock
7	365664	1	Spring
8	127162	1	Operating Tube Assembly
9	374806	1	Operating Tube
10	374805	2	Spacer - Drive
11	366499	1	Washer
12	369076	1	Bearing - Cam
13	365668	1	Housing - Latch
14	V801313	2	Tapping Screw
15	V342624-3	1	Self Drill Screw
16	V800821	1	Tapping Screw
17	V801011	1	Flat Washer
18	V800831	1	Tapping Screw
19	384285	1	Cam Assembly
20	365777	1	Nut Lock
21	V800824	1	Tapping Screw
22	375353	1	Bushing - Nylon
23	V801080	1	Retainer Ring
-	369526	1	Trim - Latch (See Control Panel)

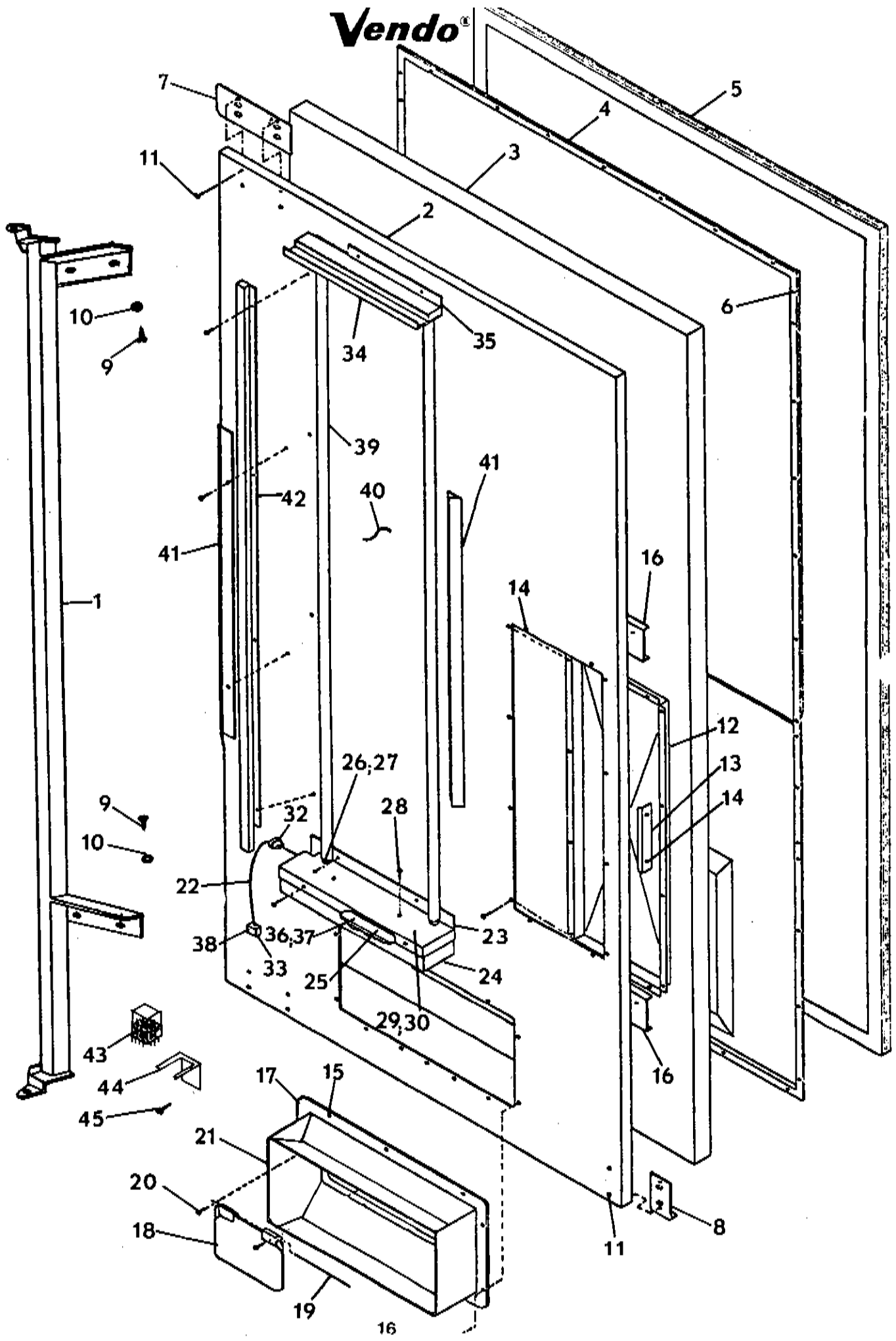
Vendo®



INNER DOOR ASSEMBLY

ITEM NO.	118/125 PART NO.	156/182 PART NO.	190 PART NO.	NO. REQ.	PART NAME AND DESCRIPTION
-	131511-2	131512-2	131441-2	1	Inner Door Assembly
1	131608-1	131608-2	131608	1	Torque Tube - Weld Assembly
2	384038-1	384082-1	383935-1	1	Inner Door Panel
3	383434-9	383434-10	383434-6	1	Insulation - Inner Door
4	383356-1	374134-1	383202-1	1	Liner - Door
5	383043	383044	383203	1	Magnetic Gasket
6	329409	329409	329409	A/R	Clip
7	371941	371941	371941	2	Door Support - Corner
8	371942	371942	371942	1	Door Support - Bottom
9	384174	384174	384174	A/R	Screw
10	V801016	V801016	V801016	A/R	Flat Washer
11	V800622	V800622	V800622	A/R	Tapping Screw
12	383897	383897	383897	1	Pan - Inner Door
13	383896	383896	383896	1	Handle - Inner Door
14	V800548	V800548	V800548	A/R	Tapping Screw
15	V800572	V800572	V800572	A/R	Tapping Screw
16	383937	383937-1	383937	2	Stiffener - Inner Door
-	131582	131582	131582	1	Delivery Eyelet Assembly
17	384336	384336	384336	1	Eyelet - Delivery
18	384334	384334	384334	1	Door - Delivery
19	46122-2	46122-2	46122-2	1	Hinge Pin
20	V800570	V800570	V800570	A/R	Tapping Screw
21	131585	131585	131585	1	Hopper Weld Assembly
-	112930-8	112930-8	-	1	Reflector Assy. (see Page 19)
22	-	-	131444	1	Reflector Harness Assembly
23	-	-	363975	1	Bracket - Lamp (Lower)
24	-	-	383973	1	Cover - Ballast
25	-	-	383982	1	Ballast - 2 Lamp
26	-	-	342622	4	Lamp Holder
27	-	-	V800024	8	Machine Screw
28	-	-	V801421	4	Tapping Screw
29	-	-	V800128	2	Machine Screw
30	-	-	V800952	2	Hex Nut & Lockwasher
31	-	-	327699-2	1	Bushing - Strain Relief
32	-	-	345005-1	1	Plug - 2 Terminal
33	-	-	383974	1	Bracket - Lamp (Upper)
34	-	-	383971	1	Duct - Wire
35	-	-	41707	10	Connector (Small)
36	-	-	320196	2	Terminal - Male
37	-	-	383980	2	Lamp-Fluorescent
38	384568	384568	384568	2	Lamp Shield
39	384163-3	384163-3	384163-3	2	Retainer - Light Shield
40	-	-	383972	1	Duct - Wire
-	324099-2	324099-2	324099-2	1	Clamp (Not Shown)
41	353343	353343	353343	1	Relay
42	384559	384559	384559	1	Bracket - Relay
43	V800622	V800622	V800622	3	Tapping Screw

Vendo®

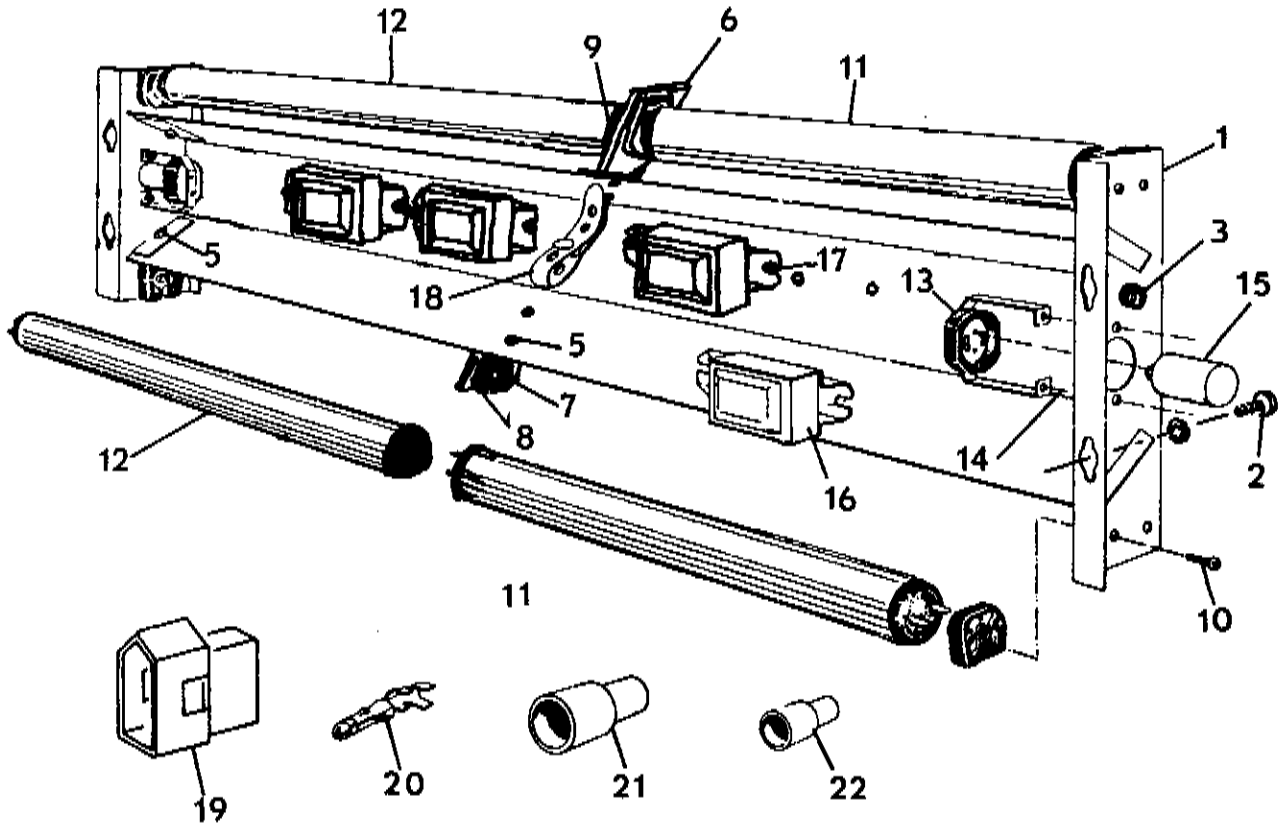


INNER DOOR ASSEMBLY

ITEM NO.	231 PART NO.	266 PART NO.	304 PART NO.	NO. REQ.	PART NAME AND DESCRIPTION
-	131513-2	131442-2	131443-2	1	Inner Door Assembly
1	131608-3	131608	131608	1	Torque Tube - Weld Assembly
2	384081-1	3839341	383936-1	1	Inner Door Panel
3	383434-11	383434-7	383434-8	1	Insulation - Inner Door
4	357012-4	368075-2	344977-4	1	Liner - Door
5	383045	383046	383047	1	Magnetic Gasket
6	329409	329409	329409	A/R	Clip
7	371941	371941	371941	2	Door Support - Corner
8	371942	371942	371942	1	Door Support - Bottom
9	384174	384174	384174	A/R	Screw
10	V801016	V801016	V801016	A/R	Flat Washer
11	V800622	V800622	V800622	A/R	Tapping Screw
12	383897	383897	383897	1	Pan - Inner Door
13	383896	383896	383896	1	Handle - Inner Door
14	V800548	V800548	V800548	A/R	Tapping Screw
15	V800572	V800572	V800572	A/R	Tapping Screw
16	383937-1	383937-1	383937-2	2	Stiffener - Inner Door
-	131582	131582	131582	1	Delivery Eyelet Assembly
17	384336	384336	384336	1	Eyelet - Delivery
18	384334	384334	384334	1	Door - Delivery
19	46122-2	46122-2	46122-2	1	Hinge Pin
20	V800570	V800570	V800570	A/R	Tapping Screw
21	131585	131585	131585	1	Hopper Weld Assembly
-	131521	-	-	1	Reflector Assembly (See Page 18)
22	-	131444	131445	1	Reflector Harness Assembly
23	-	383975	384033	1	Bracket - Lamp (Lower)
24	-	383973	384004	1	Cover - Ballast
25	-	-	383981	1	Ballast
26	-	383982	383982	1	Ballast - 2 Lamp
27	-	342622	342622	A/R	Lamp Holder
28	-	V800024	V800024	A/R	Machine Screw
29	-	V801421	V801421	A/R	Tapping Screw
30	-	V800128	V800128	A/R	Machine Screw
31	-	V800952	V800952	A/R	Hex Nut & Lockwasher
32	-	327699	327699-2	1	Bushing - Strain Relief
33	-	345005-1	345005-1	1	Plug - 2 Terminal
34	-	383974	384032	1	Bracket - Lamp
35	-	383971	384001	1	Duct - Wire (Upper)
36	-	41707	41707	A/R	Connector - Small
37	-	-	43842	2	Connector - Large
38	-	320196	320196	2	Terminal - Male
39	-	383980	383980	A/R	Lamp - Fluorescent
-	-	-	384166	3	Fluorescent Lamp Guard
40	384568	384568	384708	A/R	Light Shield
41	384163-3	384163-3	383927	A/R	Retainer - Light Shield
42	-	-	383972	1	Duct - Wire
-	324099-2	324099-2	324099-2	1	Clamp (Not Shown)
43	353343	353343	353343	1	Relay
44	384559	384559	384559	1	Bracket - Relay
45	V800622	V800622	V800622	3	Tapping Screw

Vendo®

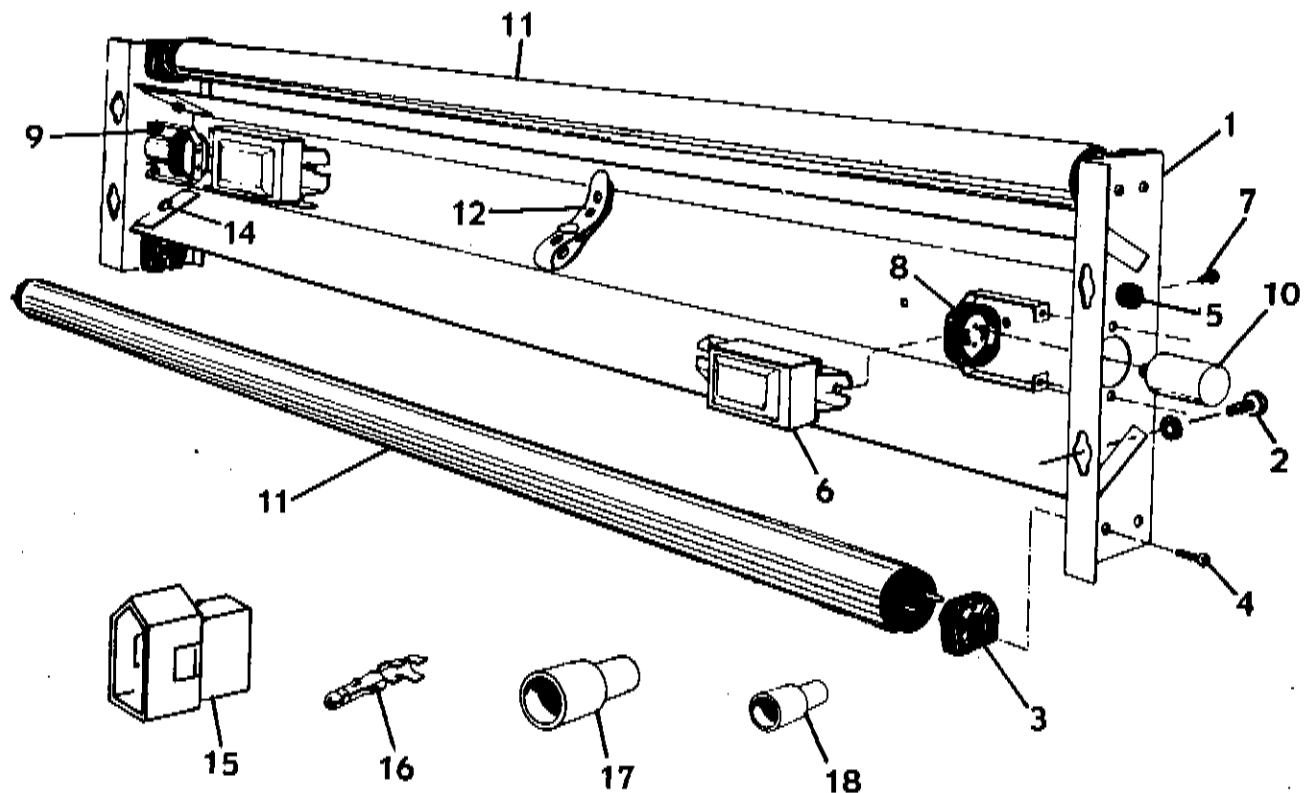
REFLECTOR ASSEMBLY



ITEM NO.	231 PART NO.	NO. REQ.	PART NAME AND DESCRIPTION
-	131521	1	Reflector Assembly
1	341331	2	End Bracket
2	V800622	4	Tapping Screw
3	327699-2	1	Bushing - Strain Relief
4	384148	1	Reflector
5	V800496	8	Tapping Screw
6	384147	2	Center Bracket - Reflector
7	384146	2	Lamp Holder
8	V800029	4	Machine Screw
9	342622	6	Lamp Holder
10	V800024	8	Machine Screw
11	384162	2	Lamp - Florescent
12	332974	2	Lamp - Florescent
13	327675-2	4	Socket - Starter
14	V800060	8	Machine Screw
15	321350	4	Starter
16	321345-3	4	Ballast
17	V801329	8	Tapping Screw & Lockwasher
18	342621	3	Strap - Adjustable
19	345005-1	1	Plug - 2 Terminal
20	320196	2	Terminal - Male
21	43842	2	Connector (Large)
22	41707	2	Connector (Small)

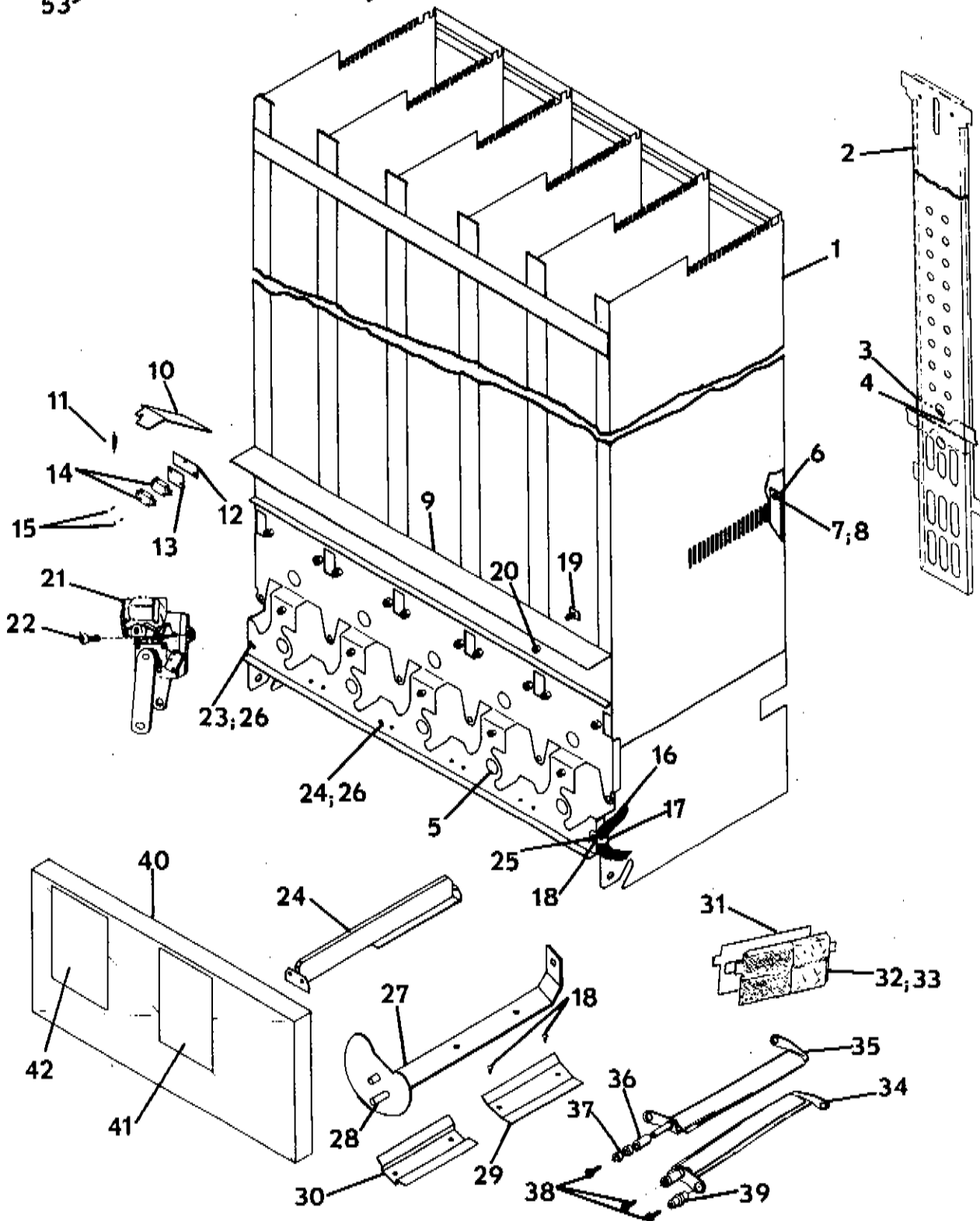
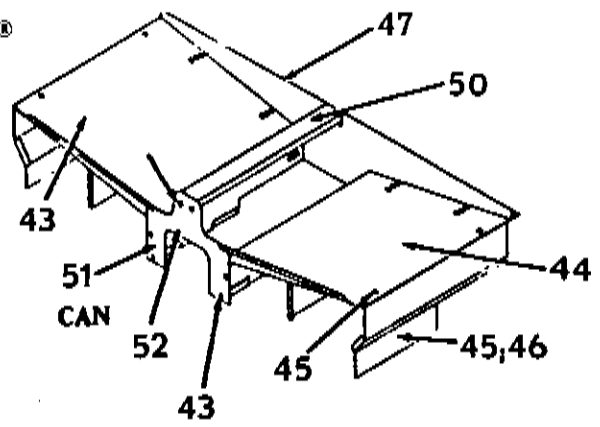
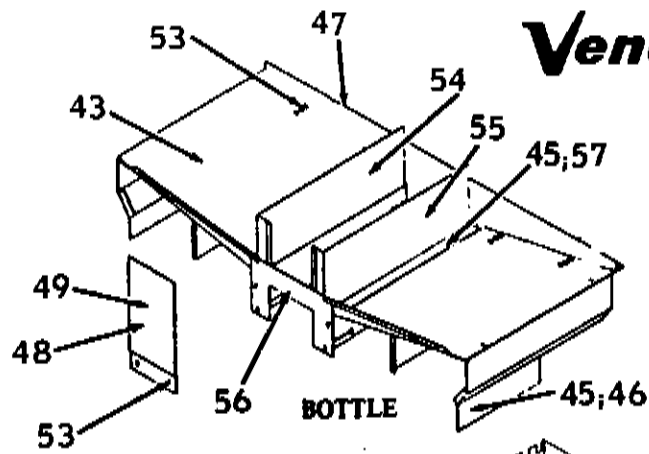
Vendo®

REFLECTOR ASSEMBLY



ITEM NO.	118/125 156/182 PART NO.	NO. REQ.	PART NAME AND DESCRIPTION
-	112930-8	1	Reflector Assembly
1	341331	2	End Bracket - Reflector
2	V800622	4	Tapping Screw (W/Lockwasher)
3	342622	4	Lamp Holder
4	V800024	8	Machine Screw
5	327699-2	1	Bushing - Strain Relief
6	321345-3	2	Ballast
7	V801329	4	Screw
8	327675-1	2	Socket - Starter
9	V800060	4	Machine Screw
10	321350	2	Starter
11	332974	2	Lamp - Florescent
12	342621	1	Strap - Adjustable
13	341330	1	Reflector
14	V801329	4	Tapping Screw
15	331335-5	1	Plug - 2 Terminal
16	332746	2	Terminal
17	43842	2	Connector (Large)
18	41707	2	Connector (Small)
		A/R	

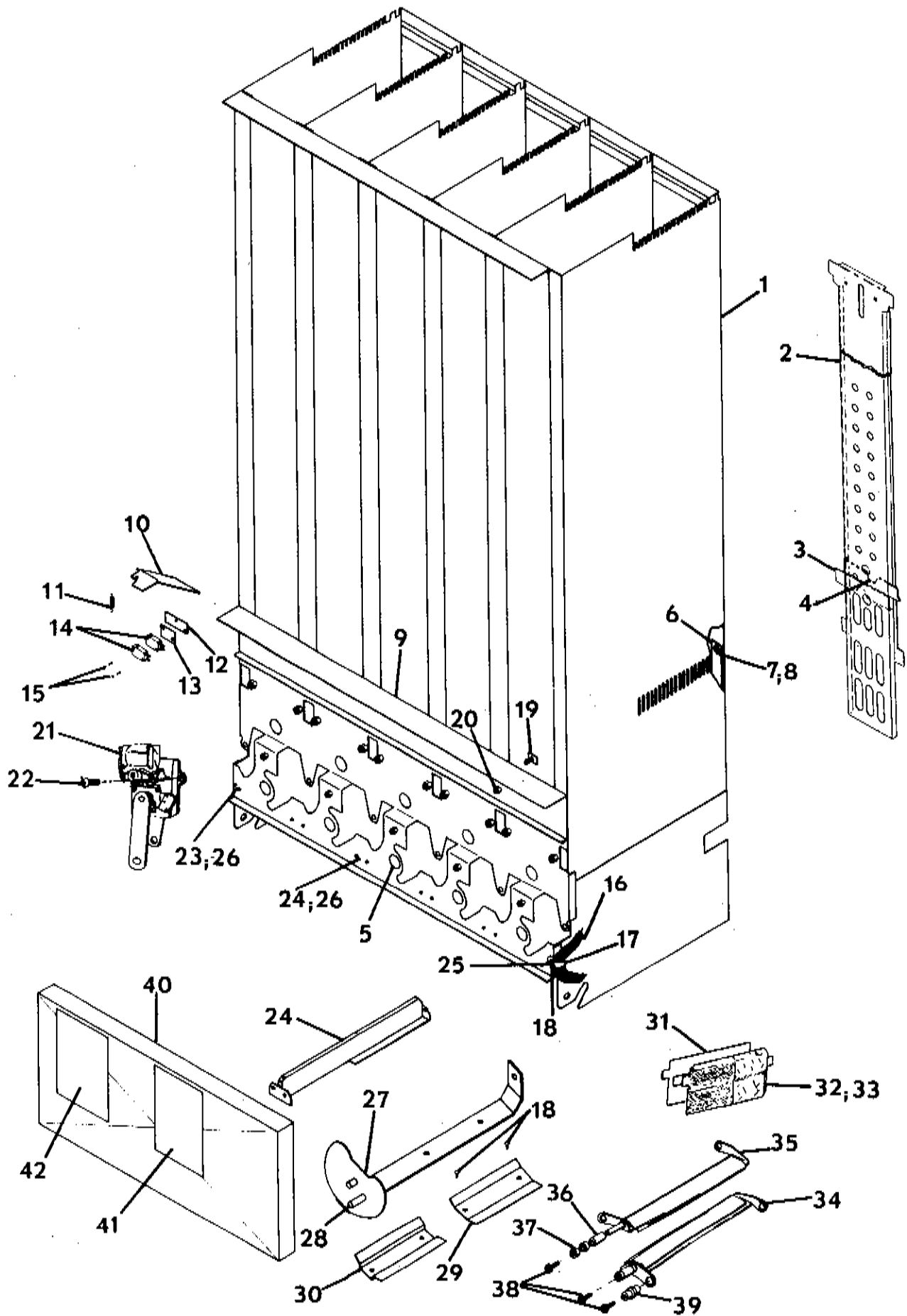
Vendo®



STACK ASSEMBLY

ITEM NO.	118 PART NO.	125 PART NO.	156 PART NO.	182 PART NO.	NO. REQ.	Part Name and Description
-	131590-1	131590-4	131590-13	131590-16	1	Stack Final Assy (Single Depth)
-	131590	131590-3	131590-12	131590-15	1	Stack Final Assy.(Double Depth)
1	131127-5	130874-19	130874-21	130874-22		Stack Weld Assy.
2	370927	370927	370927	370927	A/R	Bearing
-	130868-3	130868	130868	130868	A/R	Back Spacer Assy.
3	382957-3	382957	382957	382957	A/R	Back Spacer
4	370778	370778	370778	370778	A/R	Latch Slide
5	359367	359367	359367	359367	A/R	Latch Spring
6	370856	370856	370856	370856	A/R	Support - Spacer
7	V800060	V800060	V800060	V800060	A/R	Machine Screw
8	V800955	V800955	V800955	V800955	A/R	Hex Nut
-	131576-2	131576-2	131576-3	131576-4	1	Sold Out Channel Assy.
9	384318-1	384318-1	384318-2	384318-3	1	Sold Out Channel
10	384322	384322	384322	384322	A/R	Lever - Sold Out
-	384322-2	384322-2	384322-2	384322-2	A/R	Lever (Large Diameter Bottle)
-	384322-1	384322-1	384322-1	384322-1	A/R	Lever (Special)
11	600656	600656	600656	600656	A/R	Spring
12	384324	384324	384324	384324	A/R	Spacer - Switch
13	384550	384550	384550	384550	A/R	Insulator
14	368299	368299	368299	368299	A/R	Switch
15	384341	384341	384341	384341	A/R	Machine Screw
16	131563	131563	131561	131562	1	Vend Mechanism Harness
17	324099-3	324099-3	324099-3	324099-3	1	Clamp (Harness)
18	V800787	V800787	V800787	V800787	A/R	Tapping Screw
19	V328761	V328761	V328761	V328761	A/R	'Tee' Bolt
20	V800952	V800952	V800952	V800952	A/R	Hex Nut & Lockwasher
21	131580	131580	131580	131580	A/R	Vend Motor Assy.
22	V800267	V800267	V800267	V800267	A/R	Machine Screw
23	384589	384589	384589	384589	1	Spacer Bar - Left
24	384587	384587	384587	384587	A/R	Spacer Bar - Center
25	384588	384588	384588	384588	1	Spacer Bar - Right
26	V800639	V800639	V800639	V800639	A/R	Tapping Screw
27	131578	131578	131578	131578	A/R	Bail Weld Assy.
28	V801084	V801084	V801084	V801084	A/R	Retainer
29	384325	384325	384325	384325	A/R	Bracket - Bail
30	384326	384326	384326	384326	A/R	Bail Bracket (10 oz. Double Depth)
31	370864	370864	370864	370864	A/R	Spacer - Side Shim
32	106284-1	106284-1	106284-1	106284-1	A/R	Form Spacer Weld (L)
33	106284-2	106284-2	106284-2	106284-2	A/R	Form Spacer Weld (R)
-	123916-1	123916-1	123916-1	123916-1	A/R	Shelf Assy.-Left
-	124255-1	124255-1	124255-1	124255-1	A/R	Shelf Assy.-Right
34	123915	123915	123915	123915	A/R	Shelf Rivet Assy. (L)
35	123915-1	123915-1	123915-1	123915-1	A/R	Shelf Rivet Assy. (R)
36	370756	370756	370756	370756	A/R	Bearing - Needle
37	370714	370714	370714	370714	A/R	Spacer
38	370780	370780	370780	370780	A/R	Screw
39	336837	336837	336837	336837	A/R	Bushing
40	370782-8	370782-8	370782-9	382724-1	1	Mechanism Cover
41	384599	384599	384599	384599	1	Label - Loading Instructions
42	384569-1	384569-15	384569-3	384569-5	1	Decal - Mechanism Cover
-	384569-16	384569-18	384569-17	384569-12	1	Decal - Mechanism Cover (Big Button)
43	131151	-	-	-	1	Shelf - Left
44	131151-1	-	-	-	1	Shelf - Right
45	V800457	-	-	-	A/R	Screw
46	352837	-	-	-	4	Nut (Tinnerman)
47	383393	-	-	-	1	Shelf Retainer
48	383417	-	-	-	1	Back Spacer Extension (Bottle)
49	383444	-	-	-	4	Back Spacer Extension (Bottle & Can)
50	383399	-	-	-	1	Upper Guide
51	383441	-	-	-	1	Shelf Spacer
52	383364	-	-	-	1	Label (Can)
53	V800570	-	-	-	10	Screw
54	383415	-	-	-	1	Retainer - Left
55	383416	-	-	-	1	Retainer - Right
56	383443	-	-	-	1	Shelf Spacer
57	V800952	-	-	-	4	Nut

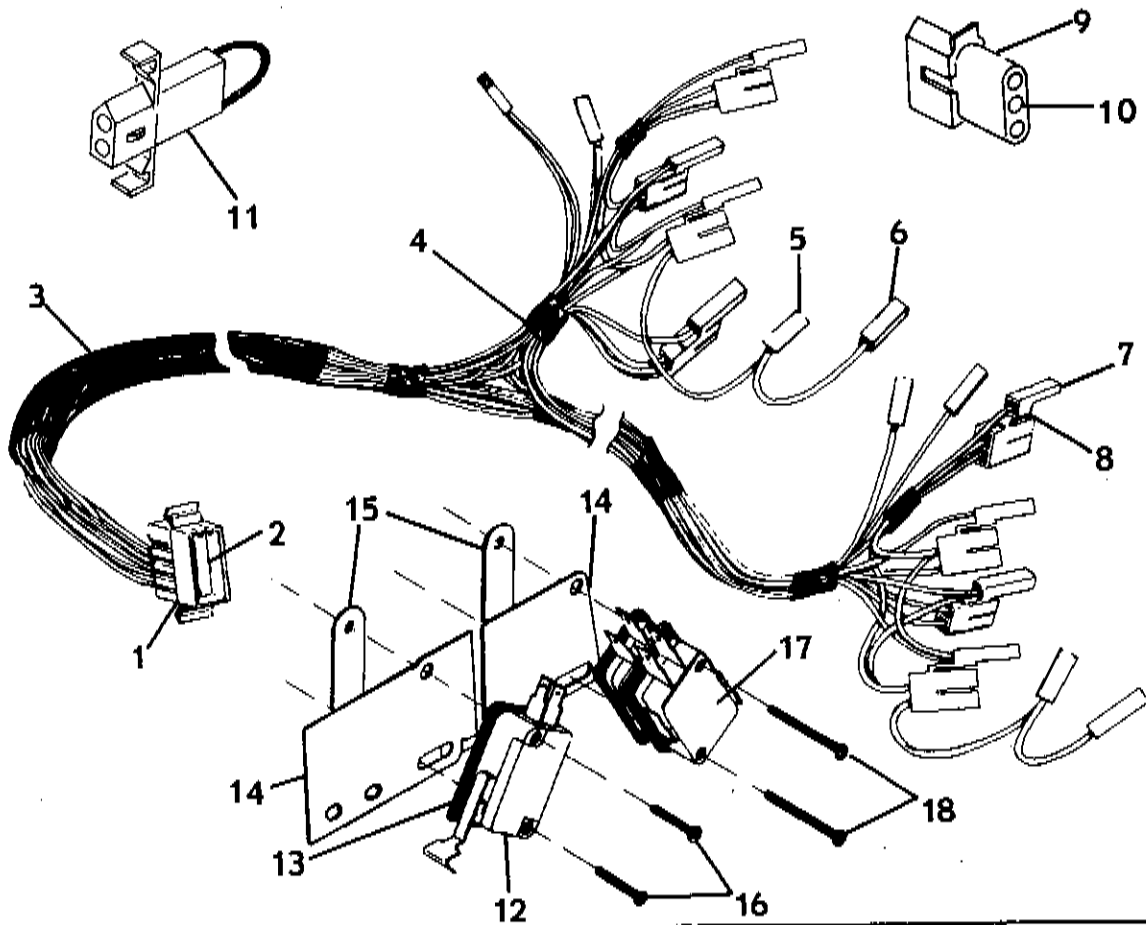
Vendo®



STACK ASSEMBLY

ITEM NO.	190 PART NO.	231 PART NO.	266 PART NO.	304 PART NO.	NO. REQ.	PART NAME AND DESCRIPTION
-	131590-10	131590-19	131590-22	131590-27	1	Stack Final Assy. (Single Depth)
-	131590-11	131590-18	131590-21	131590-26	1	Stack Final Assy. (Double Depth)
1	130874-24	130874-23	130874-20	130874-18	1	Stack Weld Assy.
2	370927	370927	370927	370927	A/R	Bearing
-	130868-2	130868-1	130868-2	130868-2	A/R	Rackspacer Assy.
3	382957-2	382957-1	382957-2	382957-2	A/R	Back Spacer
4	370778	370778	370778	370778	A/R	Latch Slide
5	359367	359367	359367	359367	A/R	Latch Spring
6	370856	370856	370856	370856	A/R	Support - Spacer
7	V800060	V800060	V800060	V800060	A/R	Machine Screw
8	V800955	V800955	V800955	V800955	A/R	Hex Nut
-	131576-2	131576-4	131576-4	131576-5	1	Sold Out Channel Assy.
9	384318-1	384318-3	384318-3	384318	1	Sold Out Channel
10	384322	384322	384322	384322	A/R	Lever - Sold Out
-	384322-2	384322-2	384322-2	384322-2	A/R	Lever (Large Diameter Bottle)
-	384322-1	384322-1	384322-1	384322-1	A/R	Lever (Special)
11	600656	600656	600656	600656	A/R	Spring
12	384324	384324	384324	384324	A/R	Spacer - Switch
13	384550	384550	384550	384550	A/R	Insulator
14	368299	368299	368299	368299	A/R	Switch
15	384341	384341	384341	384341	A/R	Machine Screw
16	131563	131562	131562	131560	1	Vend Mechanism Harness
17	324099-3	324099-3	324099-3	324099-3	1	Clamp (Harness)
18	V800787	V800787	V800787	V800787	A/R	Tapping Screw
19	V328761	V328761	V328761	V328761	A/R	'Tee' Bolt
20	V800952	V800952	V800952	V800952	A/R	Hex Nut & Lockwasher
21	131580	131580	131580	131580	A/R	Vend Motor Assy.
22	V800267	V800267	V800267	V800267	A/R	Machine Screw
23	384589	384589	384589	384589	1	Spacer Bar - Left
24	384587	384587	384587	384587	A/R	Spacer Bar - Center
25	384588	384588	384588	384588	1	Spacer Bar - Right
26	V800639	V800639	V800639	V800639	A/R	Tapping Screw
27	131578	131578	131578	131578	A/R	Bail Weld Assy.
28	V801084	V801084	V801084	V801084	A/R	Retainer
29	384325	384325	384325	384325	A/R	Bracket - Bail
30	384326	384326	384326	384326	A/R	Bail Bracket (10 oz. Double Depth)
31	370864	370864	370864	370864	A/R	Spacer - Side Shim
32	106284-1	106284-1	106284-1	106284-1	A/R	Form Spacer Weld (L)
33	106284-2	106284-2	106284-2	106284-2	A/R	Form Spacer Weld (R)
-	123916-1	123916-1	123916-1	123916-1	A/R	Shelf Assy.
-	124255-1	124255-1	124255-1	124255-1	A/R	Shelf Assy. (Right)
34	123915	123915	123915	123915	A/R	Shelf Rivet Assy. (L)
35	123915-1	123915-1	123915-1	123915-1	A/R	Shelf Rivet Assy. (R)
36	370756	370756	370756	370756	A/R	Bearing - Needle
37	370714	370714	370714	370714	A/R	Spacer
38	370780	370780	370780	370780	A/R	Screw
39	336837	336837	336837	336837	A/R	Bushing
40	370782-8	382724-1	382724-1	370782-10	1	Mechanism Cover
41	384599	384599	384599	384599	1	Label - Loading Instructions
42	384569-13	384569-4	384569-4	384569-6	1	Decal - Mechanism Cover

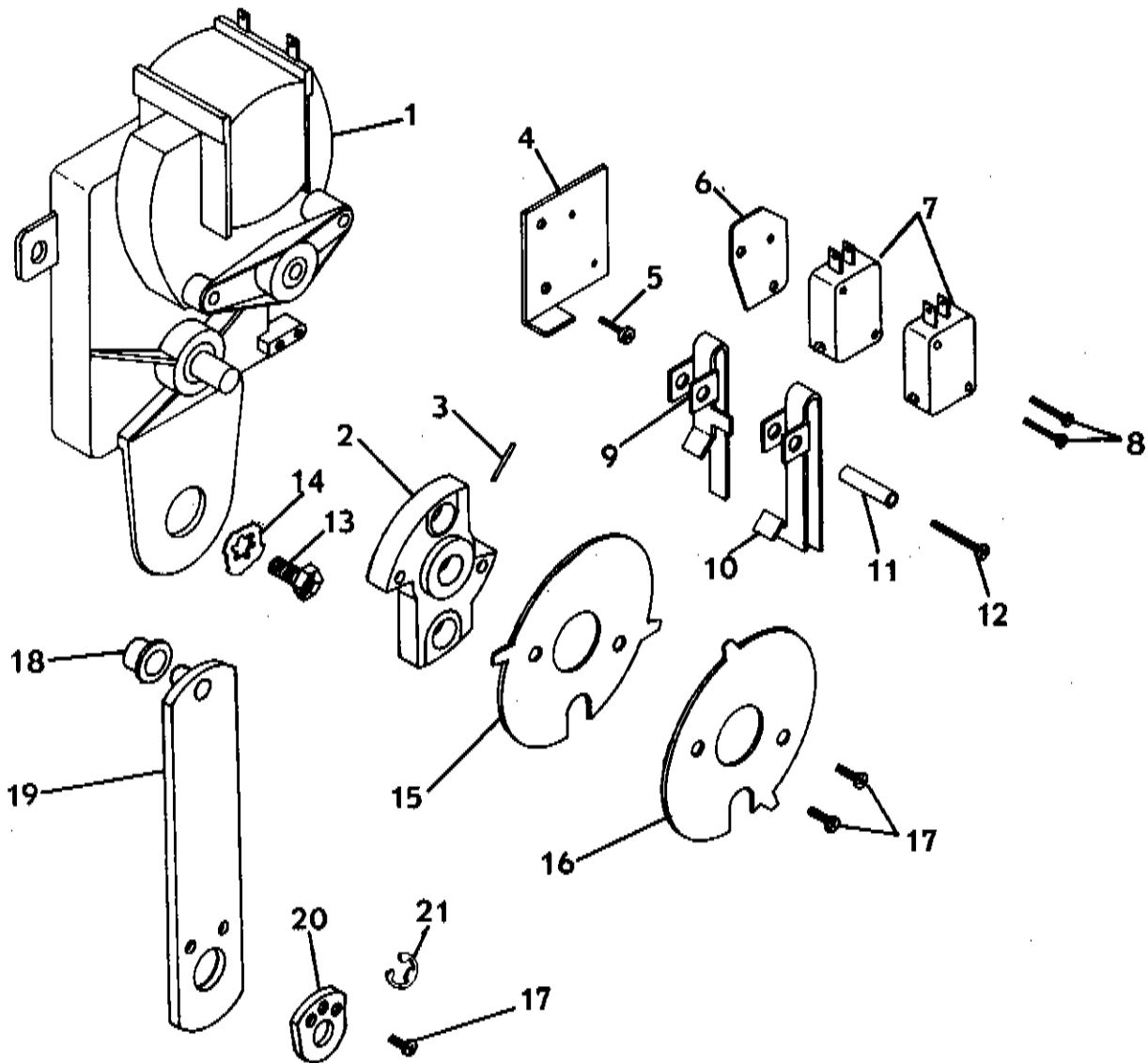
VEND MECHANISM HARNESS ASSEMBLY - SEQUENCER ASSEMBLY



ITEM NO.	118/125 190 PART NO.	156 PART NO.	162/231 266 PART NO.	304 PART NO.	NO. REQ.	PART NAME AND DESCRIPTION
-	131563	131561	131562	131560	1	Vend Mechanism Harness Assy.
1	345739-1	-	-	-	1	Plug - 12 Terminal
-	-	345006	345006	345006	1	Plug - 15 Terminal
2	320196	320196	320196	320196	A/R	Terminal - Male
3	V801165	V801165	V801165	V801165	A/R	Plastic Tubing
4	VM51048	VM51048	VM51048	VM51048	A/R	Tape
5	384184	384184	384184	384184	A/R	Terminal - Insulated
6	384186	384186	384186	384186	A/R	Terminal - Insulated
7	360805	360805	360805	360805	A/R	Terminal *
8	360806	360806	360806	360806	A/R	Cover - Terminal (Triple) *
-	336138	336138	336138	336138	A/R	Terminal **
-	384190	384190	384190	384190	A/R	Cover - Terminal (Triple) **
9	-	-	345734-1	345734-1	1	Receptacle - 3 Terminal
10	-	-	320195	320195	3	Terminal - Female
11	-	-	-	-	1	Sequencer Jumper
-	-	-	131166	131166	1	Sequencer Harness Assy.
-	-	-	131589	131589	1	Sequencer - Switch Bracket Assy.
12	-	-	351521	351521	1	Switch
13	-	-	340025	340025	2	Insulation
14	-	-	384558	384558	1	Bracket - Switch Mounting
15	-	-	337588-1	337588-1	1	Nut Plate
16	-	-	V800032	V800032	2	Machine Screw
-	-	-	131589-1	131589-1	1	Sequencer - Switch Bracket Assy.
17	-	-	337576	337576	1	Switch - Dual
-	-	-	340025	340025	1	Insulation
-	-	-	384558	384558	1	Bracket
-	-	-	337588-1	337588-1	1	Nut Plate
18	-	-	V800027	V800027	2	Machine Screw
-	-	-	V800083	V800083	4	Machine Screw (Single Depth)
-	-	-	V800956	V800956	4	Machine Screw Nut (Single Depth)

* These two items (terminal and cover) must be used together.

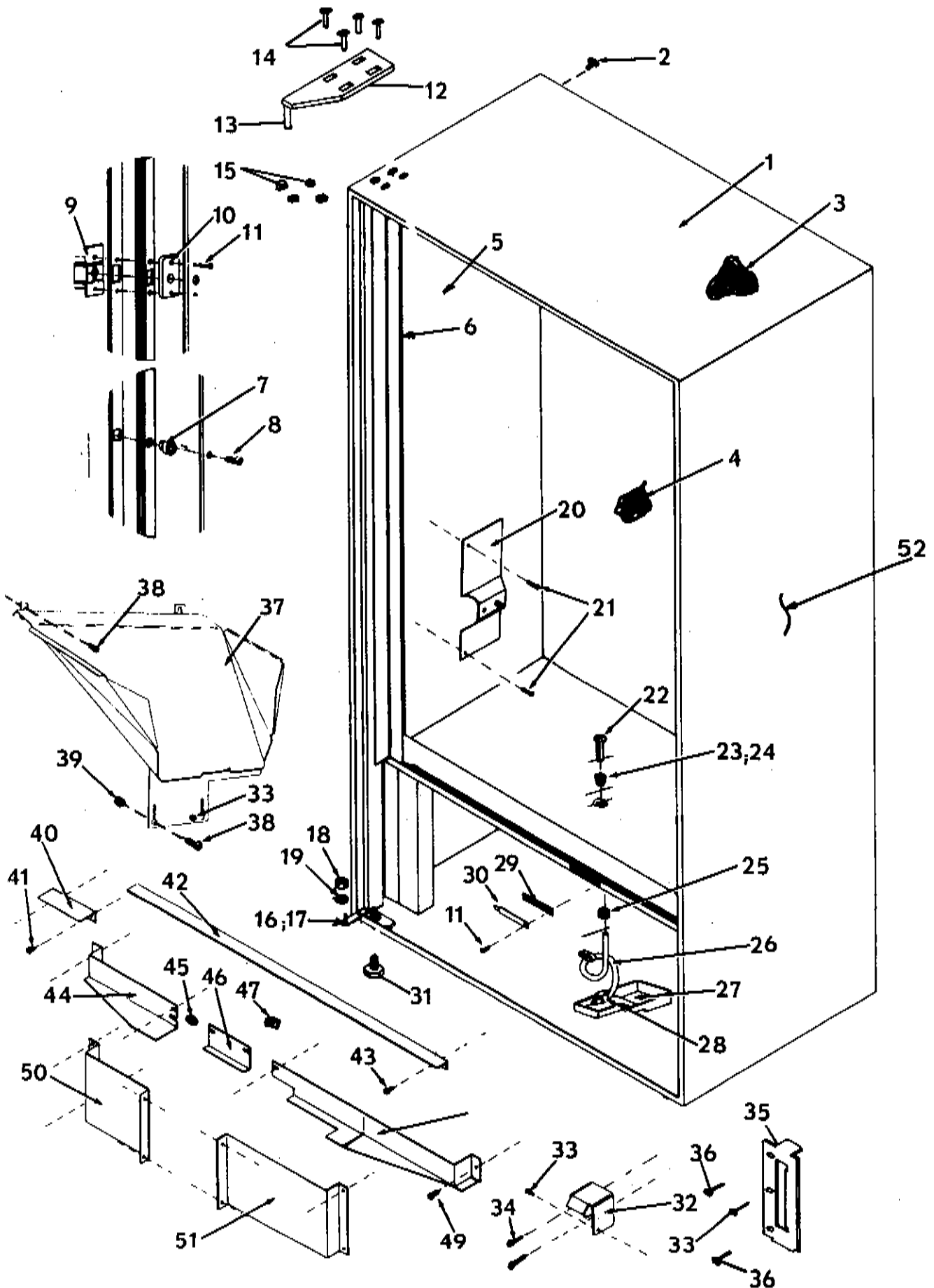
** These two items (terminal and cover) must be used together.



ITEM NO.	PART NO.	NO. REQ.	PART NAME AND DESCRIPTION
-	131580	1	Motor Assembly
-	131579	1	Motor Hub Assembly
1	384554	1	Motor
2	384317	1	Cam
3	V801382	1	Pin
4	384195	1	Switch Mounting Bracket
5	V801382	1	Tapping Screw
6	340025	1	Insulator - Switch
7	368299	2	Switch
8	384341	2	Tapping Screw
9	384329	1	Lever - Switch
10	384311	1	Lever - Switch
11	384327	1	Sleeve - Lever
12	384328	1	Tapping Screw - Lever
13	V800267	3	Tapping Screw
14	321289-2	1	Lockwasher
15	384320	1	Cam Cover - Main
16	384319	1	Cam Cover - Secondary
17	V800762	3	Tapping Screw
18	383983	1	Bushing
19	131362	1	Link Assembly
20	371544	1	Eccentric
21	V801080	1	Retainer

Vendo®

CABINET ASSEMBLY -

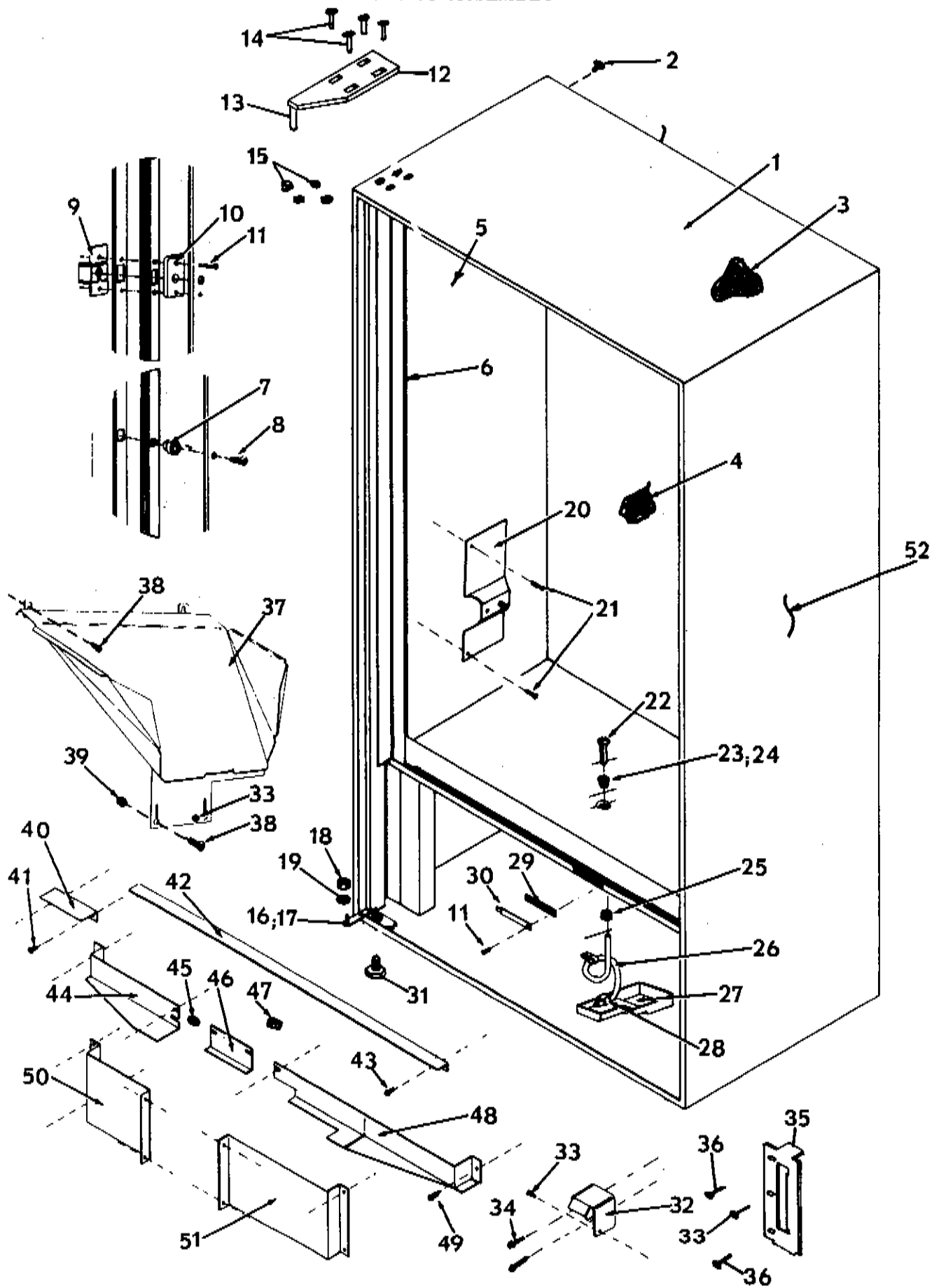


CABINET ASSEMBLY

ITEM NO.	118 PART NO.	125 PART NO.	190 PART NO.	NO. REQ.	PART NAME AND DESCRIPTION
1	128927-16	128927-16	131047-9	1	Cabinet Weld Assembly
2	380420	380420	380420	A/R	Plugs
3	380741-2	380741-2	380741-11	A/R	Insulation - Cabinet
4	366186-2	366186-2	366186-8	A/R	Insulation - Cabinet Back
5	130870-10	130870-8	130870-11	1	Liner Weld Assembly
6	377747	377747	377747	A/R	Gasket - Cabinet
7	377746	377746	377746	A/R	Nut - Snap-In
8	V800876	V800876	V800876	A/R	Tapping Screw
9	332497	332497	332497	A/R	Nut Retainer
10	369413	369413	369413	2	Spacer
11	V800514	V800514	V800514	A/R	Tapping Screw
-	131605	131605	131605	1	Upper Hinge Assembly
12	384621	384621	384621	1	Hinge - Top
13	365008-2	365008-2	365008-2	1	Pin - Hinge
14	V329258-2	V329258-2	V329258-2	A/R	Bolt
15	V800959	V800959	V800959	A/R	Hex Nut & Lockwasher
16	365841	365841	365841	1	Lower Hinge Plate
17	365008-1	365008-1	365008-1	1	Pin - Lower Hinge
18	365822	365822	365822	1	Hinge Spacer
19	365822-1	365822-1	365822-1	1	Hinge Spacer
20	130869-2	130869-2	130869-2	1	Mounting Plate Weld - Left
-	130869-3	130869-3	130869-3	1	Mounting Plate Weld - Right
21	V800265	V800265	V800265	A/R	Machine Screw
22	333985	333985	333985	1	Drain Tube
23	333986	333986	333986	1	Grommet
24	46212	46212	46212	1	Clip - Tinnerman (Not Shown)
25	38132	38132	38132	1	Grommet - Drain Tube
26	340061	340061	340061	A/R	Drain Tubing
27	339840	339840	339840	1	Condensate Pan
28	321304	321304	321304	1	Clip
29	368441	368441	368441	1	Gasket
30	366092	366092	366092	1	Closure Cap
31	324386	324386	324386	A/R	Leveling Screw
32	382956	382956	382956	1	Door Lift
33	V342624	V342624	V342624	A/R	Self Drill Screw
34	V800672	V800672	V800672	A/R	Tapping Screw
35	384283	384283	384283	1	Cabinet Latch
36	V800831	V800831	V800831	A/R	Tapping Screw
37	131584-2	131584-2	131584-2	1	Chute Weld Assembly
38	V800641	V800641	V800641	A/R	Tapping Screw
39	V801415	V801415	V801415	A/R	Nut - Tinnerman
40	372371-3	372371-3	372371-3	1	Extension
41	V800533	V800533	V800533	A/R	Tapping Screw
42	353107	353107	353107	2	Angle Plenum
43	V800522	V800522	V800522	A/R	Tapping Screw
44	-	-	-	1	Extension - Evaporator - Left
45	43410	43410	43410	1	Grommet - Rubber
46	-	-	-	1	Air Baffle
47	914161	914161	914161	A/R	Clip
-	-	-	-	1	Cover Plate (Not Shown)
48	-	-	-	1	Extension - Evaporator - Right
49	-	-	-	A/R	Tapping Screw
50	371548	371548	371548	1	Extension - Left Side
51	371549	371548	371548	1	Extension - Right Side
52	383956-2	383956-2	383956-1	2	Decal - Side

Vendo®

CABINET ASSEMBLY -

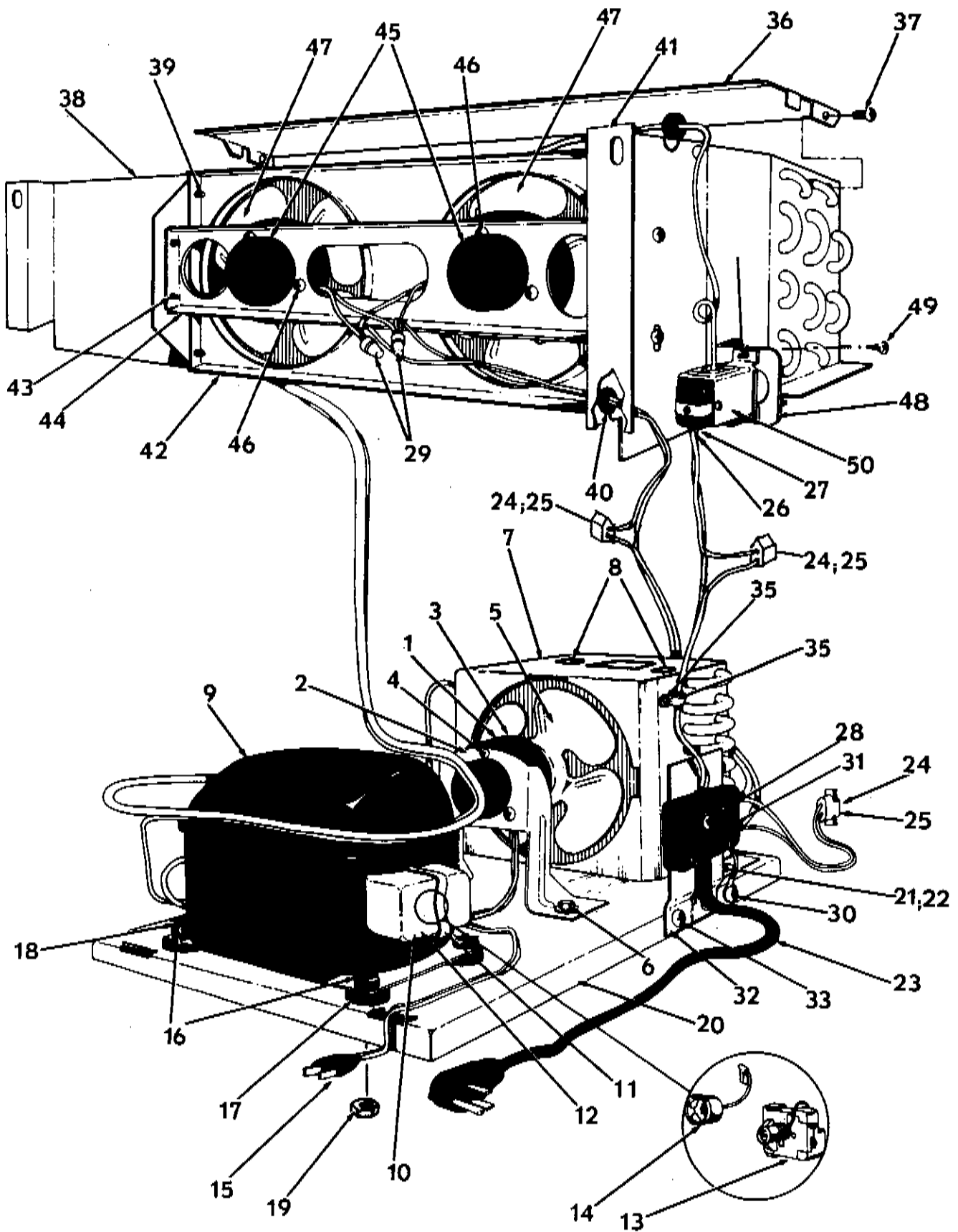


CABINET ASSEMBLY

ITEM NO.	156/182 PART NO.	231 PART NO.	266 PART NO.	304 PART NO.	NO. REQ.	PART NAME AND DESCRIPTION
1	131120-14	131121-12	130747-11	131245-11	1	Cabinet Weld Assembly
2	380420	380420	380420	380420	A/R	Plugs
3	380741-12	380741-11	380741-10	380741-7	A/R	Insulation - Cabinet
4	380741-12	366186-8	380741-10	366186-6	A/R	Insulation - Cabinet Back
5	130925-4	130870-11	130925-3	130870-7	1	Liner Weld Assembly
6	377747	377747	377747	377747	A/R	Gasket - Cabinet
7	377746	377746	377746	377746	A/R	Nut - Snap-In
8	V800876	V800876	V800876	V800876	A/R	Tapping Screw
9	332497	332497	332497	332497	A/R	Nut Retainer
10	369413	369413	369413	369413	2	Spacer
11	V800514	V800514	V800514	V800514	A/R	Tapping Screw
-	131605	131605	131605	131605	1	Upper Hinge Assembly
12	384621	384621	384621	384621	1	Hinge-Top
13	365008-2	365008-2	365008-2	365008-2	1	Pin-Hinge
14	V329258-2	V329258-2	V329258-2	V329258-2	4	Bolt
15	V800959	V800959	V800959	V800959	4	Hex Nut & Lockwasher
16	365841	365841	365841	365841	1	Lower Hinge Plate
17	365008-1	365008-1	365008-1	365008-1	1	Pin - Lower Hinge
18	365822	365822	365822	365822	1	Hinge Spacer
19	365822-1	365822-1	365822-1	365822-1	1	Hinge Spacer
20	383019	383019	383019	130869	1	Mounting Plate Weld - L
-	383019-1	383019-1	383019-1	130869-1	1	Mounting Plate Weld - R
21	V800401	V800401	V800401	322829	A/R	Machine Screw
22	333985	333985	333985	333985	1	Drain Tube
23	333986	333986	333986	333986	1	Grommet
24	46212	46212	46212	46212	1	Clip - Tinnerman (Not Shown)
25	38132	38132	38132	38132	1	Grommet - Drain Tube
26	340061	340061	340061	340061	A/R	Drain Tubing
27	339840	339840	339840	339840	1	Condensate Pan
28	321304	321304	321304	321304	1	Clip
29	368441	368441	368441	368441	1	Gasket
30	366092	366092	366092	366092	1	Closure Cap
31	324386	324386	324386	324386	A/R	Leveling Screw
32	382956	382956	382956	382956	1	Door Lift
33	V342624	V342624	V342624	V342624	A/R	Self Drill Screw
34	V800672	V800672	V800672	V800672	A/R	Tapping Screw
35	384283	384283	384283	384283	1	Cabinet Latch
36	V800831	V800831	V800831	V800831	A/R	Tapping Screw
37	131584-1	131584-1	131584-1	131584	1	Chute Weld Assembly
38	V800641	V800641	V800641	V800641	A/R	Tapping Screw
39	V801415	V801415	V801415	V801415	A/R	Nut - Tinnerman
40	372371-4	372371-4	372371-4	344946-2	1	Extension
41	V800552	V800552	V800552	V800533	A/R	Tapping Screw
42	382847	382847	382847	353107	2	Angle Plenum
43	V800552	V800552	V800552	V800552	A/R	Tapping Screw
44	-	-	-	371824	1	Extension - Evaporator - Left
45	43410	43410	43410	43410	1	Grommet - Rubber
46	-	-	-	345064-1	1	Air Baffle
47	914161	914161	914161	914161	A/R	Clip
-	371546	371546	371546	-	1	Cover Plate (Not Shown)
48	-	-	-	344961-1	1	Extension - Evaporator - Right
49	-	-	-	V800552	A/R	Tapping Screw
50	384167	371551	371551	328574	1	Extension - Left Side
51	384168	371550	371550	371825	1	Extension - Right Side
52	383956-3	383956-4	383956	383956	2	Decal - Side

Vendo®

REFRIGERATION ASSEMBLY





REFRIGERATION ASSEMBLY

ITEM NO.	118/125/156 182/190 PART NO.	231/266 PART NO.	304 PART NO.	NO. REQ.	PART NAME AND DESCRIPTION
-	114001	116504	116157	1	Refrigeration System Assembly
1	118887-2	118887-3	118887-4	1	Condenser - Fan Assembly
2	358154-1	358154-1	358154-1	1	Bracket - Motor Mounting
3	42321-25	42321-36	42321-29	1	Motor - Condenser Fan
4	V800371	V800371	V800371	4	Machine Screw & Lockwasher
5	42329	42329	42329	1	Blade - Condenser Fan
-	V42323	V42323	V42323	1	Speed Nut
6	V800836	V800836	V800836	2	Tapping Screw
7	343871	351172	329126	1	Shroud
8	336640	336640	-	2	Clip - Retainer (Shroud)
-	V800499	-	-	A/R	Tapping Screw
9	343852-900	350988-900	350485-900	1	Compressor *
10	344308	344308	344298	1	Cover - Terminal
11	344306	344306	344286	1	Bale Strap
12	344305	344305	344285	1	Overload Tension Spring
13	333894-6	333894-15	344292-3	1	Starting Relay
14	45052-12	45052-27	45052-25	1	Protector - Overload
15	344105	344105	344297	1	Compressor Cord
16	343874	343874	V800948	A/R	Spring Clip/Hex Nut & Lockwasher
17	323090-1	323090-1	323090	4	Grommet
18	343872	343872	343873	A/R	Compressor Mounting Studs
19	V800949	V800949	V800949	A/R	Hex Nut & Lockwasher
20	343839	343839	343839	1	Base - Refrigeration
21	V800267	V800267	V800267	A/R	Machine Screw
22	916923	916923	V800947	2	Dbl. Speednut/Hex Nut & Lockwasher
23	363670-1	363670-1	363670	1	Service Cord
24	345008	345008	345008	2	Receptacle - 2 Terminal
25	320195	320195	320195	4	Terminal - Female
26	44617	44617	44617	2	Terminal - Female
27	341203	341203	341203	2	Cover - Terminal
28	V800512	V800512	V800512	1	Tapping Screw
29	-	-	44485	2	Wire Connector
30	V800664	V800664	V800664	1	Tapping Screw
31	V800892	V800892	V800892	2	Machine Screw Nut
32	334052-1	334052-1	334052-1	1	Bracket - Service Cord
33	V800664	V800664	V800664	2	Tapping Screw
34	342099-6	342099-6	342099-4	1	Harness Clamp
35	V800539	V800539	V800539	A/R	Tapping Screw
36	321716	321716	328577	1	Extension - Evaporator (Top)
37	V800539	V800539	V800539	A/R	Tapping Screw
38	359175	371551	328574	1	Extension - Evaporator (Right)
39	V800539	V800539	V800539	A/R	Tapping Screw
40	332531-7	332531-7	-	1	Bushing - Snap-On
41	359174	371550	371825	1	Extension - Evaporator (Left)
42	320236	320236	328576	1	Orifice - Evaporator Fan
43	V800503	V800503	V800503	4	Tapping Screw
44	320266	320266-1	328578	1	Bracket - Evaporator Motor
-	V800503	V800503	V800503	A/R	Tapping Screw
45	42321-12	42321-13	42321-17	A/R	Motor - Evaporator
46	V800371	V800371	V800371	A/R	Machine Screw & Lockwasher
47	44910	323069	328579	A/R	Fan Blade
-	V42323	V42323	V42323	A/R	Speed Nut
48	42127	42127	42127	1	Bracket - Control
49	V800539	V800539	V800539	2	Tapping Screw
50	368794	368794	368794	1	Temperature Control
51	V800354	V800354	V800354	2	Machine Screw & Lockwasher
-	-	-	344744	1	Capacitor (Not Shown)
-	-	-	114123	1	Overload Harness (Not Shown)
52	131734	131734	131734	1	Jumper Plug
53	131735	131735	131735	1	EMS Jumper Assembly

* Part of the sealed refrigeration system shipped with oil and electrical components



FLAVOR STRIPS

384013		COKE	384013 - 8	FANTA GRAPE
384013	- 1	FRESCA	384013 - 9	FANTA ORANGE
384013	- 2	MELLO YELLO	384013 - 10	FANTA ROOT BEER
384013	- 3	SPRITE	384171 - 19	LEMON-LIME
384013	- 4	SUGAR FREE SPRITE	384171 - 20	GINGER ALE
384013	- 5	TAB	384171 - 21	CHERRY
384013	- 6	MR. PIBB	384171 - 22	STRAWBERRY
384013	- 7	SUGAR FREE MR. PIBB		

PRICE LABELS

384039		30¢
384039	- 1	35¢
384039	- 2	40¢
384039	- 3	45¢
384039	- 4	50¢
384039	- 5	60¢
384039	- 6	55¢
384039	- 8	65¢
384039	- 7	70¢
384039	- 9	75¢

Vendo® WARRANTY

NEW EQUIPMENT

1. This is a limited warranty.
2. The Vendo Company warrants to the original purchaser each part of each new vending machine for a period of fifteen (15) months from date of shipment, to be free from defects in material and workmanship. This warranty does not include light bulbs, fuses, finish or operating supplies.
3. In addition to the fifteen (15) month warranty on each part of each new vending machine, the hermetically-sealed refrigeration systems used in machines designed to vend only bottles and cans are warranted to be free from defects in material and workmanship for an additional four (4) years, providing the hermetically sealed portion of the system has not been opened.
4. Hermetically-sealed refrigeration systems do not include fan motors, temperature controls, capacitors, overload switches or starting relays which are covered by the fifteen (15) month warranty.
5. To qualify for warranty replacement, all returns must be completed within the warranty period and accompanied by a record of the cabinet model and serial number. If found to be inoperative due to defects in material and/or workmanship, we will, at our option, repair or furnish a reconditioned or new replacement part or refrigeration system, at no charge.
6. The Vendo Company will pay normal transportation charges on parts and refrigeration systems replaced under this warranty. If special handling or premium transportation is requested, the charges are assumed by the purchaser.
7. Any parts and/or refrigeration systems replaced during the warranty period are warranted for the time remaining on the original warranty.
8. This warranty does not apply to machines located outside the United States, to reconditioned equipment, to equipment sold "as is" or to components designed to work on current other than 110/120 volts, 60-cycle as specified on the serial tag.
9. Title and risk of loss pass to the purchaser on delivery to the common carrier of the vending machine, replacement part and/or refrigeration system. All loss and damage claims are the responsibility of the purchaser and must be filed with the delivering carrier.
10. This warranty does not include servicing.
11. The Vendo Company reserves the right to make design changes, additions to, and improvements upon any of our products without incurring any obligations to incorporate same on any products previously manufactured.
12. This warranty is in lieu of all other express warranties or other obligations or liabilities on our part, and we neither assume nor authorize any person to assume for us, any other obligation for liability in connection with the sale of said machine or other part thereof. All implied warranties beyond the term of this limited warranty are disclaimed by the company.

THE VENDO COMPANY

