

COCA-COLA

1212

66

**Vendo<sup>®</sup>**

**1966 SERVICE AND PARTS MANUAL**

**FOR**

**HA 56 C**

**VISUAL SELECTIVE MODEL**

Published by  
THE VENDO COMPANY  
Customer Services

"Coca-Cola" and "Coke" are the registered trademarks which identify only the product of the Coca-Cola Company.

HA56C PARTS & SERVICE "COCA-COLA"



## ORDERING PROCEDURE

*The following branches  
provide Parts & Service:*

THE VENDO COMPANY  
Customer Services  
999 Corrington Avenue  
Kansas City, Missouri 64126

THE VENDO COMPANY  
Customer Services  
2700 South Broadway  
Los Angeles, California 90007

THE VENDO COMPANY  
Customer Services  
2001 Arthur Avenue  
Elk Grove Village, Illinois 60007

THE VENDO COMPANY  
Customer Services  
#1 Plant Road  
P.O. Box 153  
Hasbrouck Heights, New Jersey 07604

### TO ORDER PARTS:

1. Use purchase order or form Y-2A.
2. All parts will be shipped F.O.B. shipping point.  
(Cost of transportation will be offset by credit if it  
has been established that parts proved to be  
defective during warranty period.)

*The following branches  
provide Service only:*

THE VENDO COMPANY  
Customer Services  
452 Armour Circle, N.E.  
Atlanta, Georgia 30324

THE VENDO COMPANY  
Customer Services  
3070 West 117th Street  
Cleveland, Ohio 44111

THE VENDO COMPANY  
Customer Services  
2688 Freewood Drive  
Dallas, Texas 75220

### TO RETURN PARTS ON WARRANTY EXCHANGE:

1. In order to obtain full benefits under the Vendo  
Warranty, be sure to furnish Vendo Cabinet Serial  
number and all other information requested on the  
Material Return Tag, Z-55.
2. Attach this tag to defective part and return  
cheapest way collect to nearest branch.
3. Z-55 available on request.

## TABLE OF CONTENTS

INITIAL INSTALLATION .....	4
LOADING .....	5
CLEANING .....	6
LUBRICATION .....	6
TROUBLE CHART .....	6
ADJUSTMENTS .....	7
VEND CYCLE .....	8-9
CABINET DOOR ASSEMBLY .....	10-11
ACCESS DOOR ASSEMBLY .....	12-13
CABINET ASSEMBLY .....	14-15
BOTTLE VEND. MECH. ASSEMBLY .....	16-17
CAN VEND. MECH. ASSEMBLY .....	18-19
REFRIGERATION UNIT ASSEMBLY .....	20
SIGN AND REFLECTOR ASSEMBLIES .....	21
KITS & SPARE PARTS .....	22
FLAVOR & COINAGE LABELS .....	23

## SPECIFICATIONS

<i>Vends Up To</i>	<i>Width</i>	<i>Depth</i>	<i>Height</i>	<i>Pre-Cools Up To</i>
56 Bottles or Cans	25"	21"	52"	16 Bottles or Cans

## INITIAL INSTALLATION

1. **Unpack.** Remove all packing and tape from vender. Remove shipping board from bottom of vender and replace leveling screws.
2. **Level the Vender.** Level the vender by turning the leveling screws with a wrench. When level, the main door will remain in any position without moving. Check with door in three positions: full open, straight out,  $\frac{1}{4}$  open. Vender must be level for efficient coin acceptor operation, as passages must not be blocked.

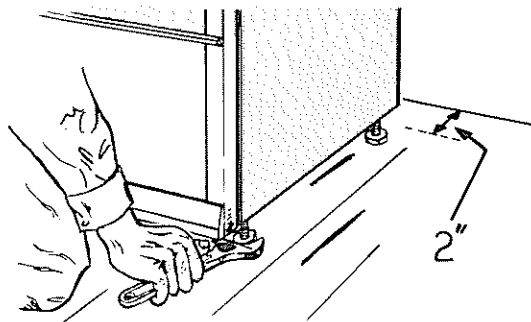


FIGURE 1

### 3. Install Packaged Parts.

- A. **Three wire adapter**—to be installed in wall socket if available socket is not grounding type. Pig-tail of adapter is to be secured under cover screw of wall socket.

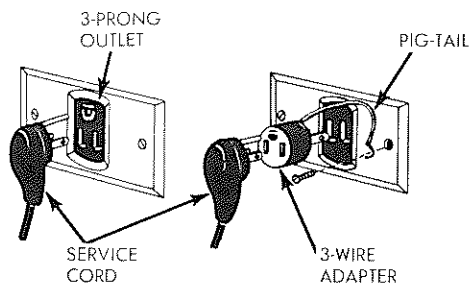


FIGURE 2

- B. **Coinage label**—to be installed on coin insert panel. Additional labels available from Vendo Customer Services.
  - C. **Flavor Identification**—can venders have flavor labels which are to be installed on the gate lever. Use bottle crowns on the face of the vend mechanism in bottle venders.
4. **Install Coin Mechanism.** The coin mechanism is shipped as a separate unit. Mount the coin mechanism on three screws on main door behind access door. Plug the changer plug into the receptacle on the door.
  5. **Condensate Pan.** The condensate pan is taped in place at the factory. It should be checked to see that the drain tubing leading to the pan is not kinked and that the tubing is secured to the pan with a clamp.

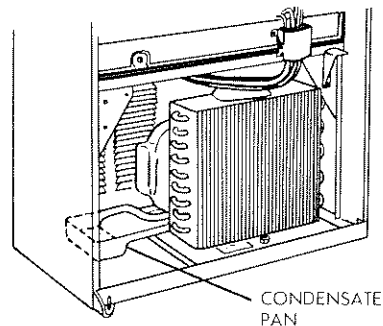


FIGURE 3

## LOADING

1. **Cans.** The can venders are set at the factory for 12 oz. cans. Check to be sure that the locating tab on the rear right hand side of the can shelf is hooked into the third hole from the back of the mounting bracket. The locating tab on the left end of the can shelf should be resting in the slot in the vend shelf. Load cans on the can shelf with the brand name end of the can facing out. Cans should roll freely to the vend shelf.

2. **Bottles.** Three adjustments should be made to allow for different sizes and shapes of bottles.

A. **Bottle Diameter.** A rod supports the right side of the vend shelf. The rod is inserted in one of three holes in the front and back of the vend mechanism. Insert the rod in the top hole for small diameter bottles; in the middle hole for medium, in the bottom hole for large. Make sure rod passes through identical hole in back. Check setting by placing several bottles on bottle shelf. If one of the bottles can not roll onto the vend shelf, move the rod down one hole. If bottles continue to roll onto the vend shelf when the gate is in the open (raised) position, raise the rod one hole.

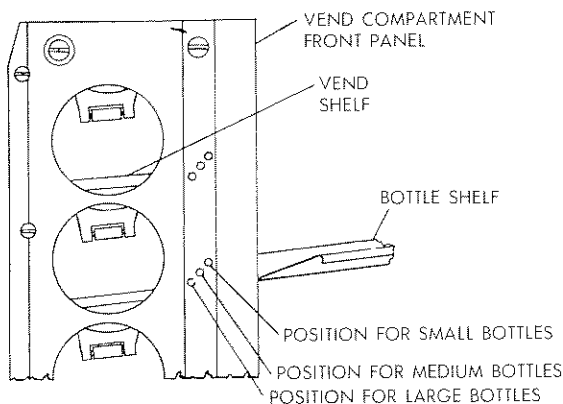


FIGURE 4

B. **Bottle Shape.** (This step applies to models 110 and 154 only.) A rail is provided for each bottle shelf which is to prevent the bottles from shifting forward as they roll down the shelf. The rail is mounted in slots in the shelf numbered 1 thru 10, counting from the back. Generally, 6 oz. thru 8 oz. bottles use the rail in slots numbered 6; 10 thru 12 oz. bottles use the rail in slots numbered 10. If bottles have a tendency to shift forward after several vends, move the rail toward the rear. Secure the rail with the screw provided.

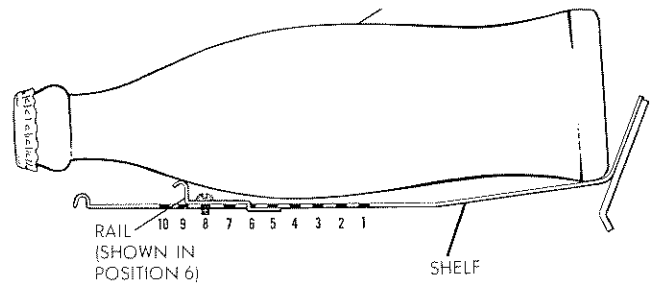


FIGURE 5

C. **Bottle Length.** There is a tab on the right end of the bottle shelf which should be hooked into one of eight slots in the shelf mounting bracket on the right wall of the cabinet. Similarly, there is a tab on the left end of the bottle shelf which should be inserted in one of eight holes on the vend shelf. If the right hand tab is hooked into the third hole from the back of the mounting bracket, then the left hand tab should be inserted in the third hole from the back on the vend shelf; if the right hand tab is hooked in 5th slot, the left hand tab should be inserted in 5th hole, etc. Mount the shelf so that the crown of the bottles clears the front panel of the vend mechanism by  $\frac{1}{4}$ " to  $\frac{9}{16}$ ".

## CLEANING

1. **Cleaning—Cabinet:** Wash the cooler with soap and water. Wax the exterior with automobile wax. Remove corrosion spots from interior with steel wool and touch-up with aluminum paint.
2. **Cleaning—Refrigeration Unit:** Face of condenser and evaporator must be kept clean for efficient operation. Clean with brush, vacuum cleaner or compressed air.
3. **Cleaning—Acceptor:** The following steps are recommended for cleaning the acceptor:
  - A. Place acceptor in boiling water and allow to soak for about 10 minutes.
  - B. After soaking, use a brush and kitchen cleaner to clean foreign matter.
  - C. Again, rinse in boiling water.
  - D. Dry thoroughly by using filtered compressed air. **NOTE:** Hot water is recommended as it evaporates rapidly and speeds the drying process.
  - E. Use powdered graphite on only the moving parts of the acceptor. Use care to keep the powdered graphite away from the paths that are followed by the coins. **DO NOT USE OIL.**

## LUBRICATION

Lubricate sparingly every six months as follows:

With Battenfield #462x57 (Part No. 323798):

1. Cabinet Door hinges, latch, latch strike.
2. Access Door lock, latch, latch strike.
3. Vend Mechanism master link, captive link, lock slide, latch, pivot points of solenoid lever.

With Lubriplate #2 (SAE #10 W. Oil) (Part No. 323132):

1. Gate pivot points.
2. Lock bar pivot points.
3. Pusher pivot points (can venders only).

## TROUBLE CHART

PROBLEM	POSSIBLE CAUSE	CORRECTION
Rejects all good coins.	Vender not level. Acceptor is dirty. Acceptor is out of adjustment.	Level vender—see page 4. See Cleaning—page 6. See proper coinage service manual.
Accepts coin but will not vend.	Coin switch defective. Vend solenoid is not energizing. Vend solenoid is out of adjustment. Torsion spring on the latch disconnected or broken.	Check continuity, replace if necessary. Check continuity, replace if necessary. See page 7 for adjustment. Reconnect (see illustration on page 7) or replace.
More than one can or bottle vended for one sale.	Vend shelf set incorrectly for diameter of bottle. Lock slide spring is weak, disconnected or broken. Lock slide or master link locking plate worn or broken.	See initial installation—see page 4. Reposition spring—(see adjustments, page 7) or replace. Replace.
Gates not returning to normal position after a vend.	Lock slide spring is under too much tension. Spring on captive links or master link is weak, disconnected, or broken. Springs on gate are weak, disconnected or broken.	Reposition spring (see adjustments—page 7). Reconnect or replace spring. Reconnect or replace.

## ADJUSTMENTS

The following adjustments should not be necessary on a new vender from the factory. However, after any repairs or after prolonged use, these adjustments should be checked to insure proper and efficient operation of the vender.

1. **Cabinet Latch Strike.** The latch strike for the cabinet door should be adjusted tight enough to give an air tight seal. Loosen two bolts and move the latch strike down and back to tighten seal; up and forward to loosen seal.

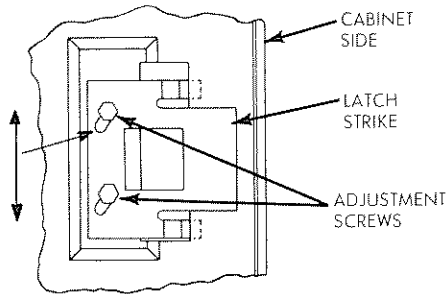


FIGURE 8

2. **Access Door Latch Strike.** The latch on the access door should clear the latch strike by 1/16". Loosen two bolts in latch strike and move latch strike up or down as necessary.

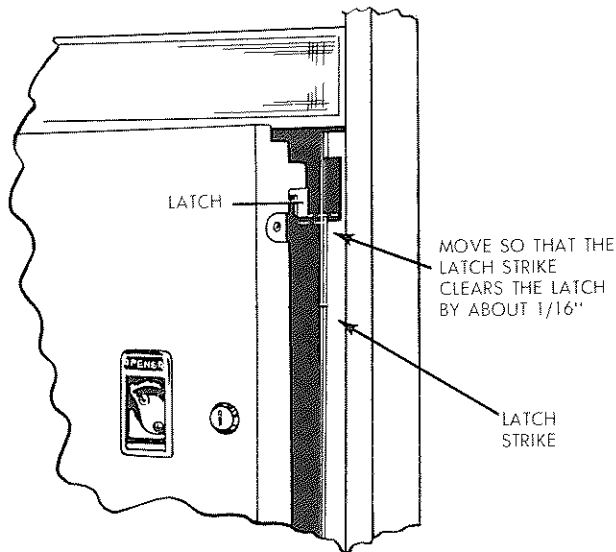


FIGURE 9

3. **Temperature Control.** The temperature in the cabinet is controlled by the temperature control located on the left side of the evaporator. Before adjusting the control, be sure all components of refrigeration system are working properly. Also be sure the cabinet latch strike is adjusted correctly. To increase temperature, turn control

counter-clockwise. To decrease temperature, turn control clockwise. About 1/12 of a turn will result in a 2°F. temperature change.

4. **Vend Solenoid.** Be sure ridge of mounting bracket is at right angles to the back of the bracket. Loosen two screws in mounting bracket and move bracket up or down so that there is 1/16" clearance between the pin on the solenoid lever arm and the slide lock.

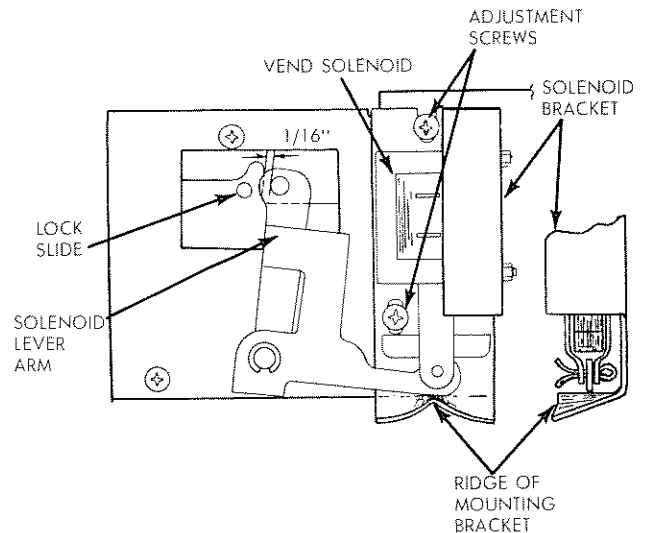


FIGURE 10

5. **Lock Slide Spring.** The spring on the lock slide is nominally set in the center notch. To put more tension in the spring, reposition the spring in one of the notches toward the back of the adjustment bracket. To put less tension in the spring, reposition the spring in one of the notches toward the front of the adjustment bracket.

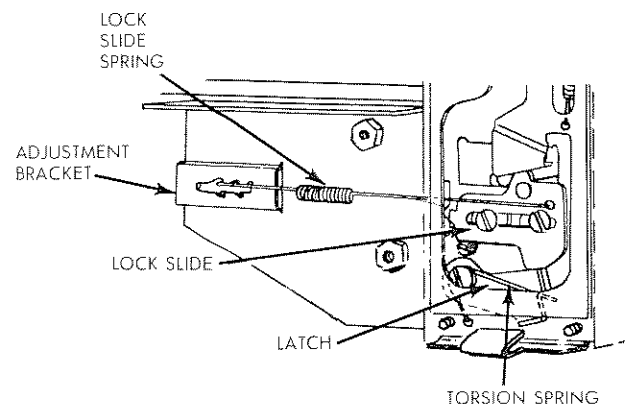


FIGURE 11

## VEND CYCLE

PART	ACTION
A coin	strikes the coin switch arm to send a pulse of current to energize the vend solenoid.
The vend solenoid	pushes the lock slide forward to the point where it catches on the latch.
The latch	holds the lock slide in the forward position.
The lock slide	is now clear of the master link locking plate. The spring loaded master link is then free to move down. Therefore, all captive links are also free to move.
The customer	*pulls a bottle through the vend port. †pulls on the can gate.
*The bottle	forces the bottle gate up and forward.
†The can gate	rotates the can pusher to push the can forward.
The gate	lowers the lock bar to prevent a second bottle or can from rolling onto the vend shelf while the gate is up.
The gate	also rotates the gate lever.
The gate lever	pushes the captive links above it up and pushes the captive links below it down. (The bottom gate lever pushes directly on the master link.) NOTE: If the customer attempts to pull out two or more bottles or cans at once, the action of the gate levers will oppose each other to prevent either product from being vended.
The captive link (below the gate lever)	push the master link down.
The master link	hits the release tab of the latch.
The latch	is pushed down to release the lock slide.
The lock slide	snaps back through action of the lock slide spring.
The Lug	on the end of the lock slide catches in a groove of the master link locking plate. This is a safety feature to prevent a customer from losing the bottle or can in case it slips out of his hand before it completely clears the gate.
The customer	pulls the bottle clear of the gate.
The gate	swings back to the ready position. In doing so, the gate lever is rotated back to its ready position and the lock bar is raised to allow a second bottle to roll onto the vend shelf.
The master link	is pulled up through spring action with sufficient force and speed so that the lug on the lock slide over-rides the groove in the master link locking plate.
The lock slide	snaps into position under the master link locking plate to prevent the master link from being pushed down. The master link thus prevents the captive links from moving; the captive links prevent the gate levers from rotating; the gate levers prevent the gate from being lifted. Another vend is thus prevented until the vend solenoid is again energized to push the lock slide forward.

\*Bottle Venders Only

† Can Venders Only



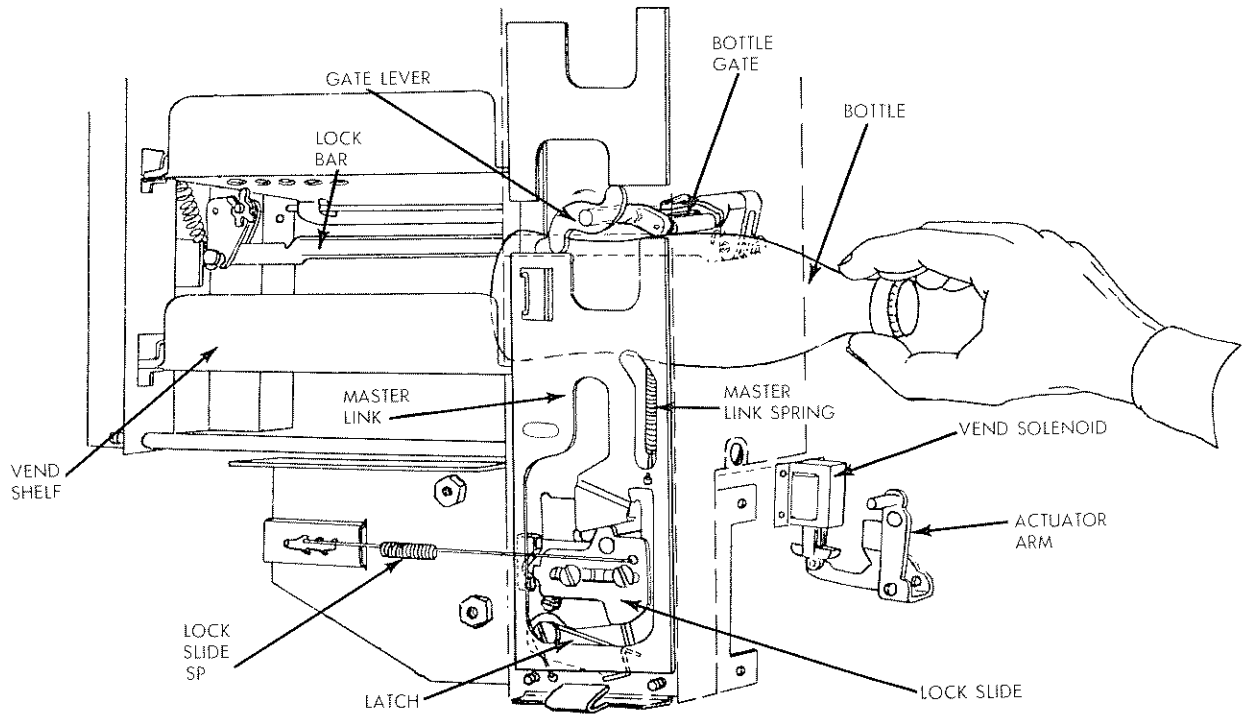


FIGURE 6  
BOTTLE VEND MECH.

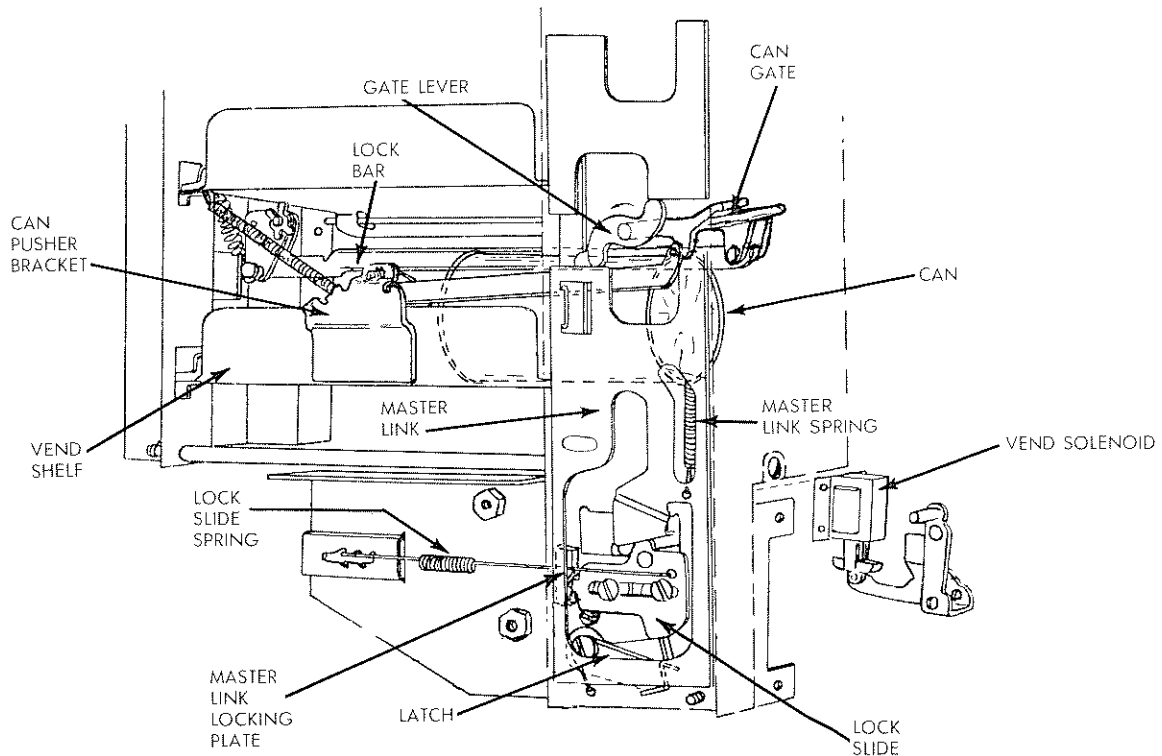
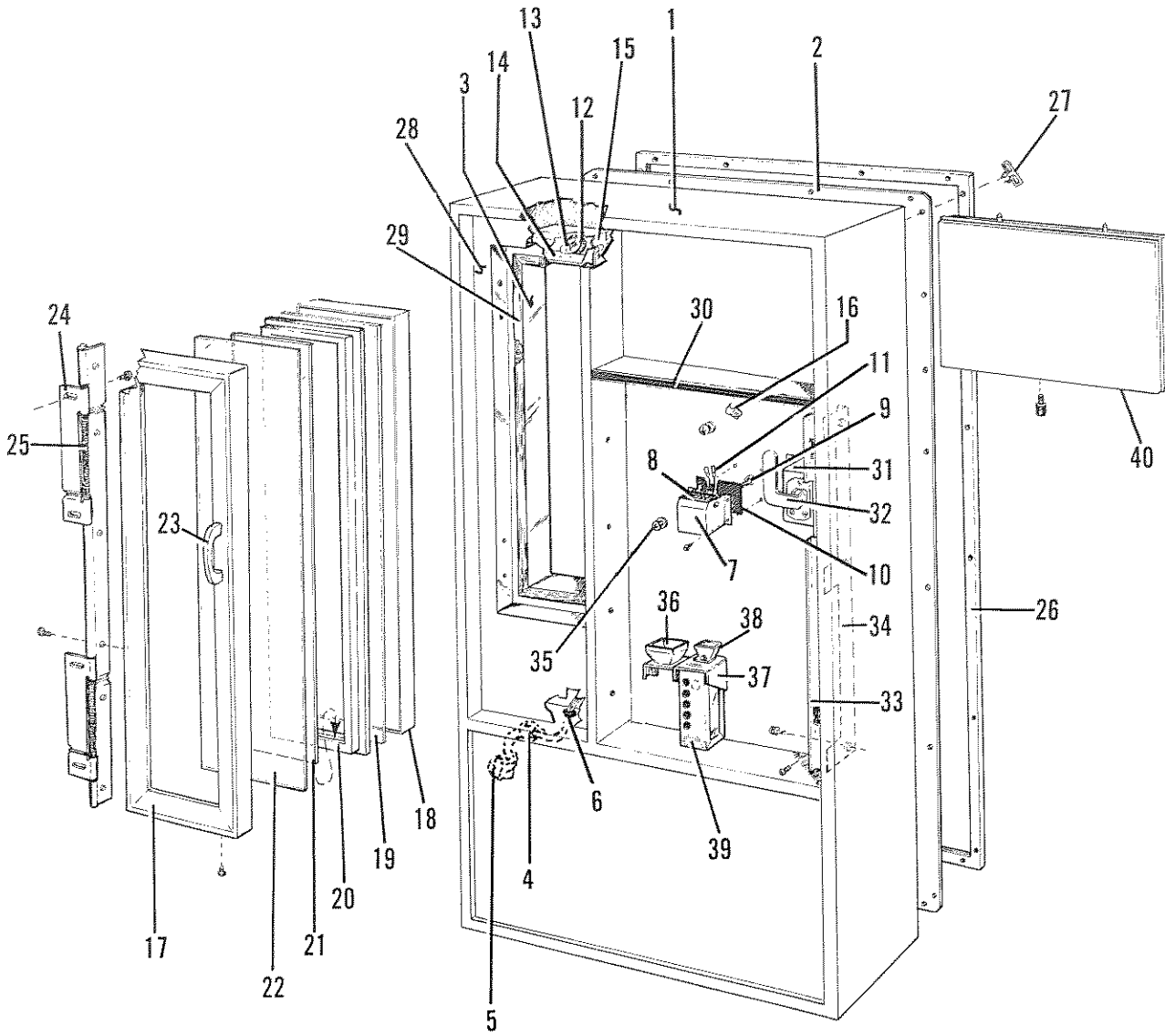


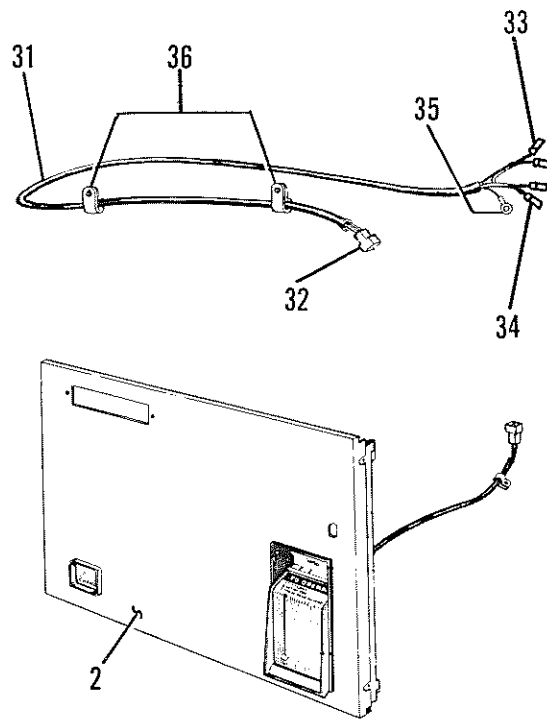
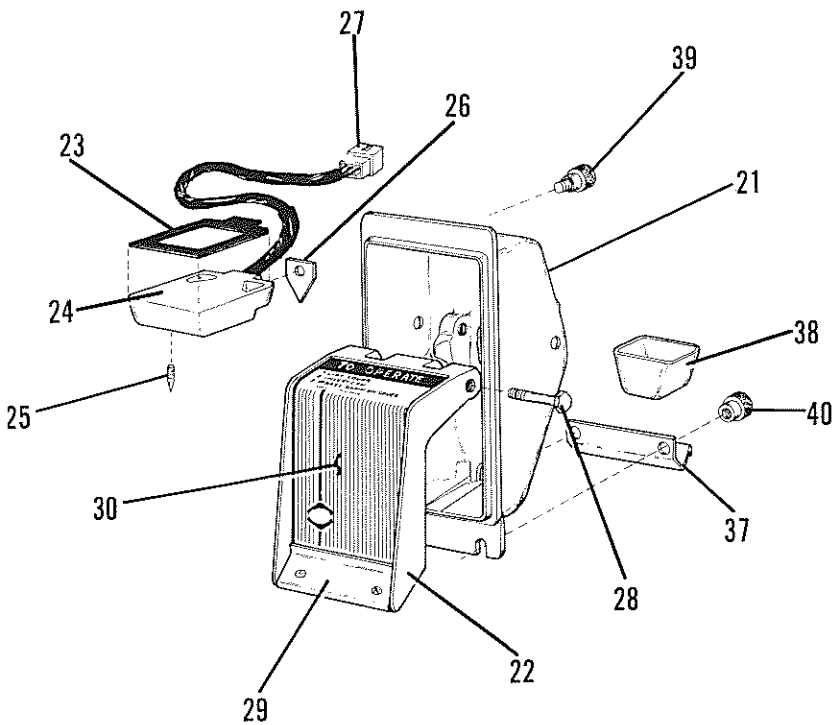
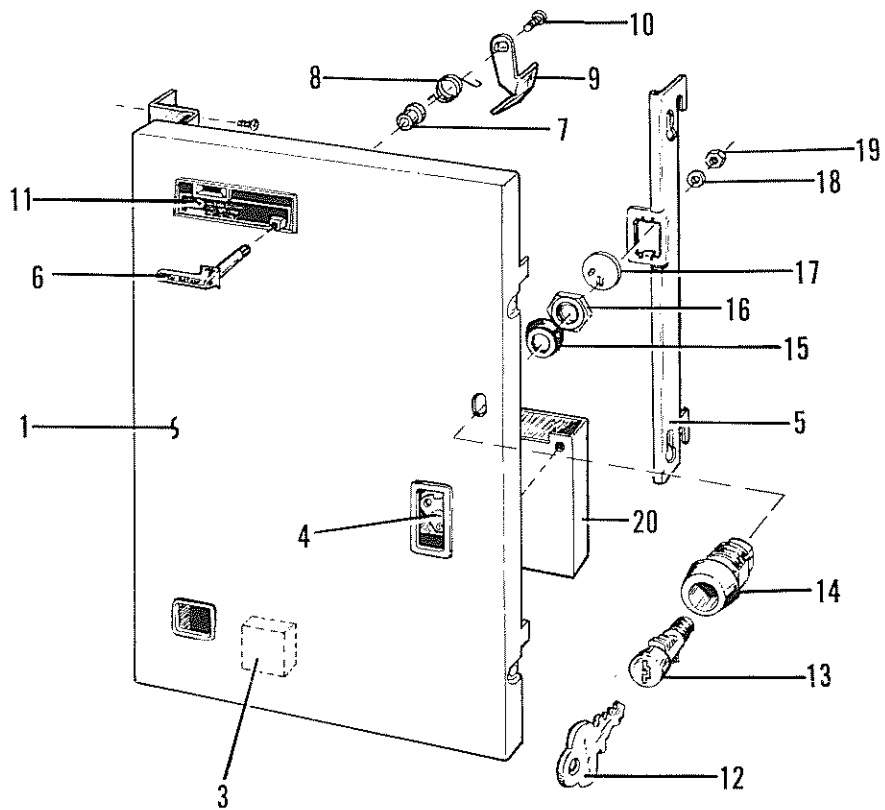
FIGURE 7  
CAN VEND MECH.

DOOR ASSEMBLY



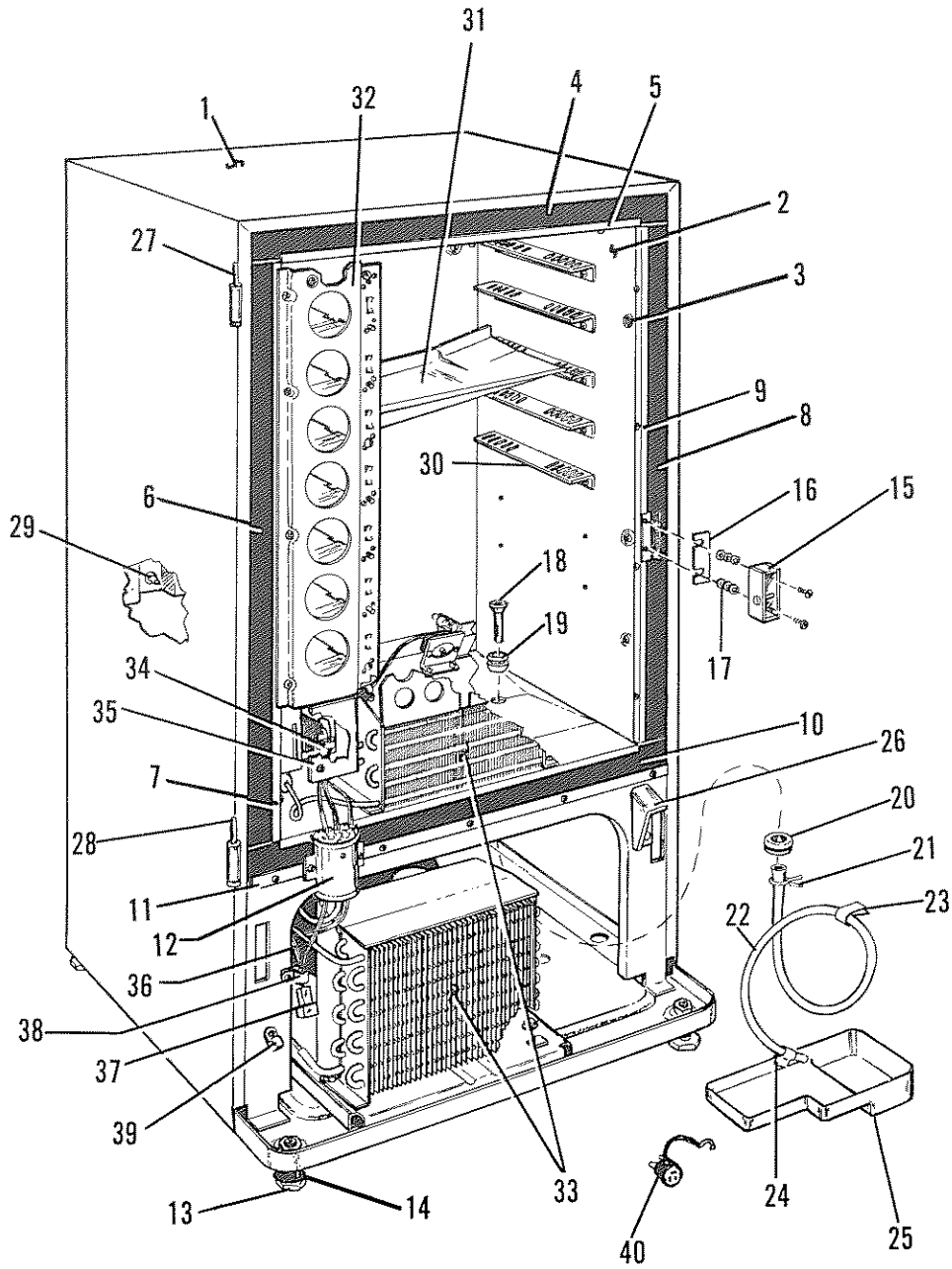
<i>Item No.</i>	<i>PART NUMBER 56</i>	<i>No. Req.</i>	<i>DOOR ASSEMBLY PART NAME AND DESCRIPTION</i>
1	112004	1	Door Weldment (Shell Only)
2	333009	1	Door Liner
—	936072	18	Screw, Panel, Door
3	108860-2	1	Eyelet Weldment
4	324099-5	1	Clamp
—	111989	1	Harness, Door—Complete
5	331339-6	1	Plug, 4 Terminal
—	332746	4	Terminal
6	337218-1	1	Grommet
7	42646	1	Cover
8	327254	1	Receptacle
—	327060	3	Terminal, Receptacle
9	327699-3	1	Bushing, Strain Relief
10	105456-2	1	Plate Assembly, Grommet
11	321096	2	Cover, Terminal, Female
—	321093	2	Terminal, Female
12	328655-1	1	Socket, Lamp
—	43842	2	Connector, Closed End
13	41714	1	Lamp
14	333785	1	Shield, Lamp
15	330989	1	Housing, Lamp
—	324099-1	1	Clamp
16	41717	1	Clamp
—	108883	1	Vend Door Assembly—Complete
17	108885	1	Vend Door Weldment
18	108861	1	Stiffener Weldment
19	332853	1	Pane, Window
20	330481-2	1	Gasket
21	332849	1	Pane, Window
22	332853-1	1	Pane, Window
23	520153	1	Handle
24	108884	1	Vend Hinge Assembly
25	44148	2	Spring, Hinge Assembly
26	333361	1	Gasket, Cabinet Door
27	329409	23	Clip
28	108862	1	Panel Weldment
29	332937	1	Gasket, Vend Door
30	334695	1	Gasket
31	333107	1	Mount, Latch
32	333787	1	Latch
33	337613	1	Strike, Latch
34	111266	1	Stiffener Weldment
35	323005	3	Nut, Snap-In
36	105370	1	Hopper Return Weldment
37	41635	1	Support Bracket, Coin Box
38	41662	1	Chute, Coin Accept
39	18237	1	Coin Box Weldment
40			Sign Assembly (See page 21)

## ACCESS DOOR ASSEMBLY



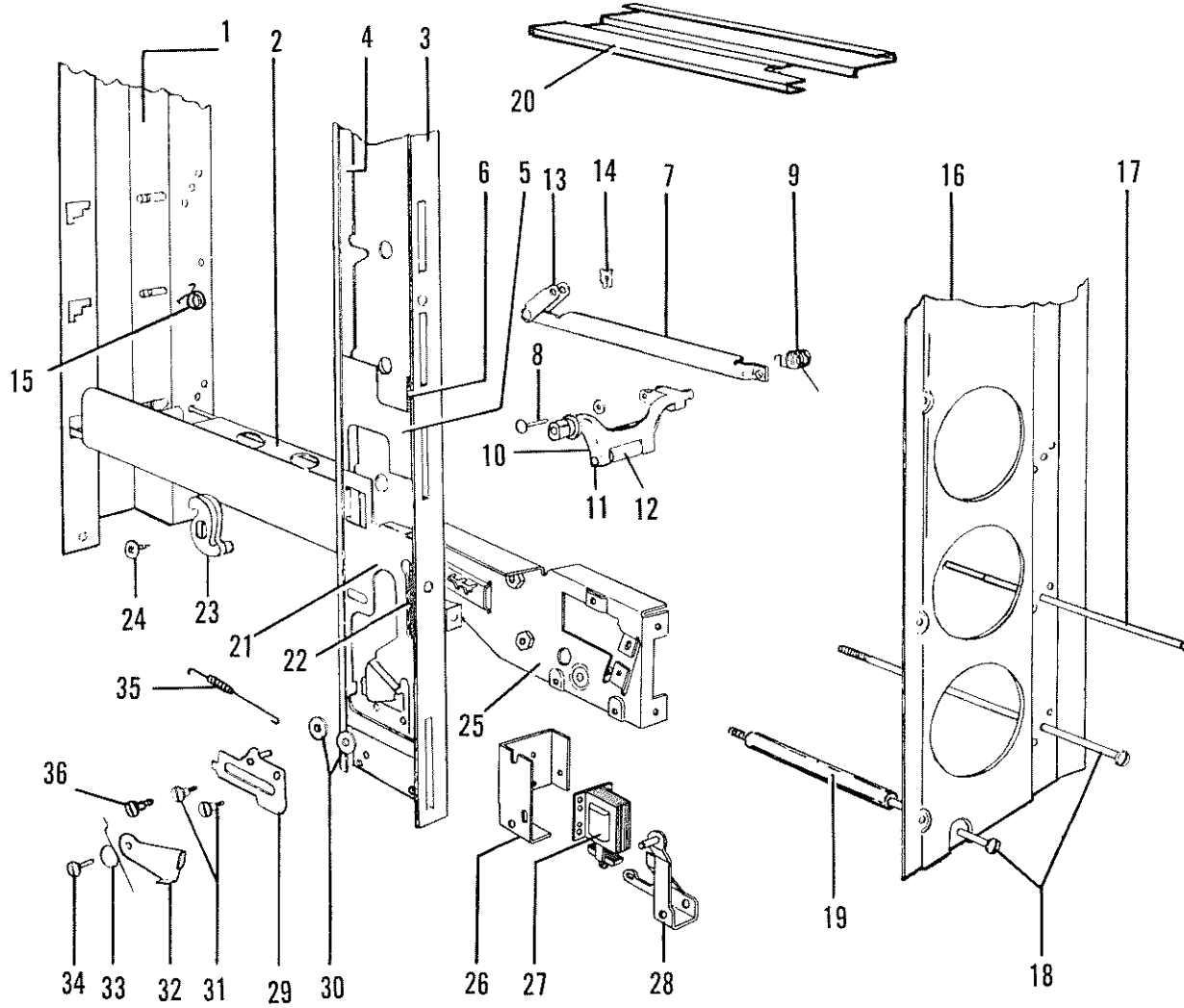
<i>Item No.</i>	<i>PART NUMBER 56</i>	<i>No. Req.</i>	<i>ACCESS DOOR PART NAME AND DESCRIPTION</i>
—	111261-1	1	Access Door Assembly—Complete (Bottle Only)
—	111261-3	1	Access Door Assembly—Complete (Can Only)
1	111262	1	Access Door Rivet Assembly (Bottle)
2	111262-1	1	Access Door Rivet Assembly (Can)
3	37924	1	Rest, Jar
4	31700	1	Cap Puller (Bottle Only)
5	320922	1	Lock Bar
—	111265-3	1	Coin Slot Assembly
6	336057	1	Handle, Coin Release
7	320936	1	Bushing, Bent Coin Release
8	321720	1	Spring
9	336575	1	Arm, Bent Coin Release
10	42728	1	Screw, Washer Head
11			Label, Coinage (See page 23)
12	324003	1	Key Only (Specify Key No.)
13	324090	1	Plug, Lock
14	324089	1	Barrel, Lock
15	45096	1	Guard, Lock
16	30006	1	Nut, Lock Barrel
17	42159	1	Lock Cam
18	42275	1	Washer, Lock Cam
19	42274	1	Nut, Cam
20	111034	1	Crown Box Weldment (Bottle Only)
—	338981	1	Label, Cleaning (Can Only)
—	340663	1	Label, Can Punch (Can Only)
—	113711-1	1	Can Puncher Assembly (Can Only)
21	343081	1	Body, Can Puncher
22	343080	1	Lid
23	343110	1	Insulator
24	113735	1	Punch Heater Assembly
25	343100	1	Vent Punch
26	343101	1	Punch Blade
27	331337-3	1	Plug, 3 Terminal
28	343214	2	Screw, Hex Head
29	343076	1	Insert, Handle
30	345712	1	Label, Can Puncher
—	41717	1	Clamp
31	112592	1	Wire Assembly (Can Only)
32	331338-3	1	Receptacle, 3 Terminal
—	332746	3	Terminal
33	321096	2	Cover, Terminal, Female
—	321093	2	Terminal, Female
34	321094	2	Cover, Terminal, Male
—	321095	2	Terminal, Male
35	37529	1	Solderless Terminal
36	324099-2	2	Clamp (Can Only)
37	340669	1	Bracket, Drip Cup (Can Only)
38	340670	1	Drip Cup—Large (Can Only)
39	340562	2	Thumb Screw (Can Only)
40	340561	2	Thumb Nut (Can Only)

CABINET ASSEMBLY



<i>Item No.</i>	<i>PART NUMBER</i> <i>56</i>	<i>No. Req.</i>	<i>CABINET ASSEMBLY</i> <i>PART NAME AND DESCRIPTION</i>
1	108223-1	1	Cabinet Weldment (Shell Only)
2	107063-1	1	Liner Weldment
3	320975	7	Nut, Snap-In
4	521003	1	Breaker Strip, Top (Bottle Only)
4	336586-1	1	Breaker Strip, Top (Can Only)
5	326871	1	Retainer, Breaker, Top
6	326963	1	Breaker Strip, L.H.
7	326872 ✓	1	Retainer, Breaker, L.H.
8	333743	1	Breaker Strip, R.H.
9	333745	1	Retainer, Breaker, R.H.
10	326963-3	1	Breaker Strip, Bottom
11	327547	1	Retainer, Breaker, Bottom
12	915084	1	Lines & Wire Protector
13	324386	4	Leveling Screw
14	321185	4	Lockwasher
15	105179	1	Latch Strike Assembly
16	520155	A/R	Shim, Latch
17	37363	6	Spacer
18	333985-1	1	Drain Tube
19	333986	1	Grommet
20	38132	1	Grommet, Drain Tube
21	339369	1	Hose Clamp
22	340061	1	Tubing, Drain
23	46212	1	Clip, Tinnerman
24	321304	1	Clip
25	336434	1	Pan, Condensate
26	321494	1	Support, Door
27	326650-1	1	Hinge Pin—Top
28	326650	1	Hinge Pin—Lower
29	41337	2	Pin
30	41345	7	Bracket
31	105371-1	7	Shelf Weldment
32			Vending Mechanism Assy. (See pages 16-19)
33			Refrigeration Assembly (See page 20)
34	324099-4	1	Clamp
35	320970	1	Cover, Electrical Mech.
36	111248	1	Harness, Cabinet
—	44617	2	Terminal, Female Quick Connect
37	331340-6	1	Receptacle, 4 Terminal
—	332746	2	Terminal
38	324099-11	1	Clamp
39	324099-3	1	Clamp
40	44300	1	Three Wire Adapter

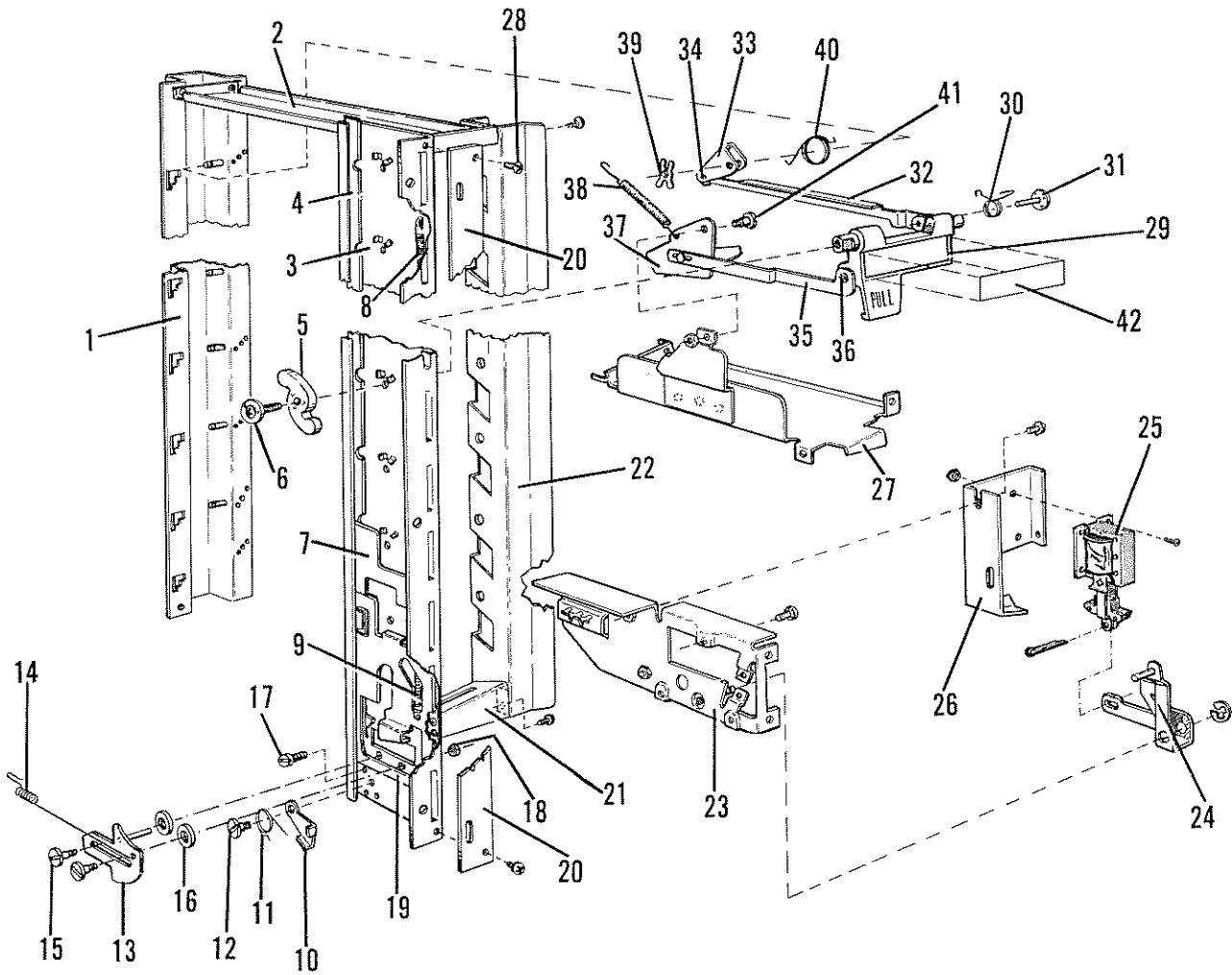
## BOTTLE VENDING MECHANISM ASSEMBLY





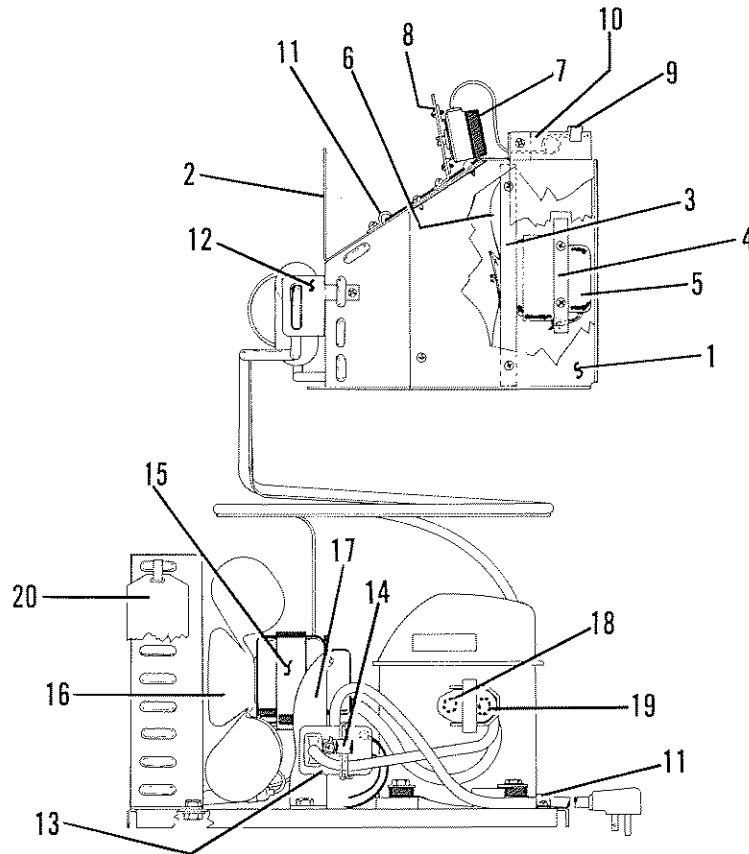
<i>Item No.</i>	<i>PART NUMBER 56</i>	<i>No. Req.</i>	<i>BOTTLE VENDING MECHANISM PART NAME AND DESCRIPTION</i>
—	111251	1	Vend Mechanism Assembly—Complete
1	108373	1	Back Channel Assembly
2	44181	7	Shelf, Vending
3	105375-3	1	Side Channel Weldment
4	520031	1	Bar, Captive
5	44131	6	Link, Captive
6	324285	1	Spring, Extension
—	105117	7	Gate & Lock Bar Assembly
7	44882	1	Lock Bar
8	44828	1	Rivet
9	44881	1	Spring
10	44880	1	Gate
11	V801-125-10	2	Roll Pin
12	41350	1	Roller, Gate
13	320286	1	Arm, Lock Bar
—	320276	1	Rivet, Semi-Tubular
14	44102	7	X-Washer
15	320277	7	Spring
16	105379-3	1	Eyelet Weldment
17	39704	5	Lock Rod
18	42732	5	Rod, Screw Head
19	42731	1	Tubing Spacer
20	330422	1	Cover—Top
21	105374	1	Master Link Assembly
22	44135	1	Spring, Extension, Lower
23	46426	7	Lever, Arm
24	42728	7	Screw, Washer Head
—	111250	1	Electrical Mechanism Assembly
25	105362	1	Bracket Weld & Rivet Assembly
26	320964	1	Bracket, Solenoid
27	320982	1	Solenoid—115 Volt
28	105452	1	Lever Assembly
29	105360	1	Lockslide Rivet Assembly
30	41351	2	Washer
31	41344	2	Screw, Shoulder
—	44412	4	Nut
32	44132	1	Latch
33	44134	1	Spring
34	320969	1	Screw, Shoulder
35	45976	1	Spring, Lockslide
36	333862	1	Screw, Shoulder

## CAN VENDING MECHANISM ASSEMBLY



<i>Item No.</i>	<i>PART NUMBER</i> 56	<i>No. Req.</i>	<i>CAN VENDING MECHANISM</i> <i>PART NAME AND DESCRIPTION</i>
—	111555-8	1	Vending Mechanism Assembly—Complete
1	108373	1	Back Channel Assembly
2	338330	1	Cover—Top
3	321405-1	1	Side Channel
4	520031	1	Bar, Captive
5	46426	7	Lever, Arm
6	42728	7	Screw, Washer Head
7	44131	6	Link, Captive
8	324285	1	Spring, Extension
9	44135	1	Spring, Extension, Lower
10	338549	1	Latch
11	44134	1	Spring
12	320969	1	Screw, Shoulder
13	105360-1	1	Lock Slide Rivet Assembly
14	45976	1	Spring
15	41344	2	Screw, Shoulder
16	41351	2	Washer
17	333862	1	Screw, Shoulder
18	44412	11	Nut
19	105374	1	Master Link Assembly
20	338342	1	Cover, Eyelet
21	111650	1	Base Weldment Assembly, Eyelet
22	338332	1	Eyelet, Right Side
—	111250	1	Electrical Mechanism Assembly
23	105362	1	Bracket Weld & Rivet Assembly
24	105452	1	Lever Assembly
25	320982	1	Solenoid—115 Volt
26	320964	1	Bracket, Solenoid
27	111591	7	Shelf Weldment
28	338389	22	Screw
—	111552	1	Gate & Lock Bar Assembly
29	338329	1	Gate
30	44881	1	Spring
31	44828	1	Rivet
32	338328	1	Lock Bar
33	320286	1	Arm, Lock Bar
34	320276	1	Rivet, Semi-Tubular
35	338325	1	Link
36	43961	2	Rivet, Shoulder
37	338335	1	Pusher
38	338360	7	Spring
39	44102	7	X-Washer
40	320277	7	Spring
41	337055	7	Screw, Shoulder
42			Label, Flavor (See page 23)

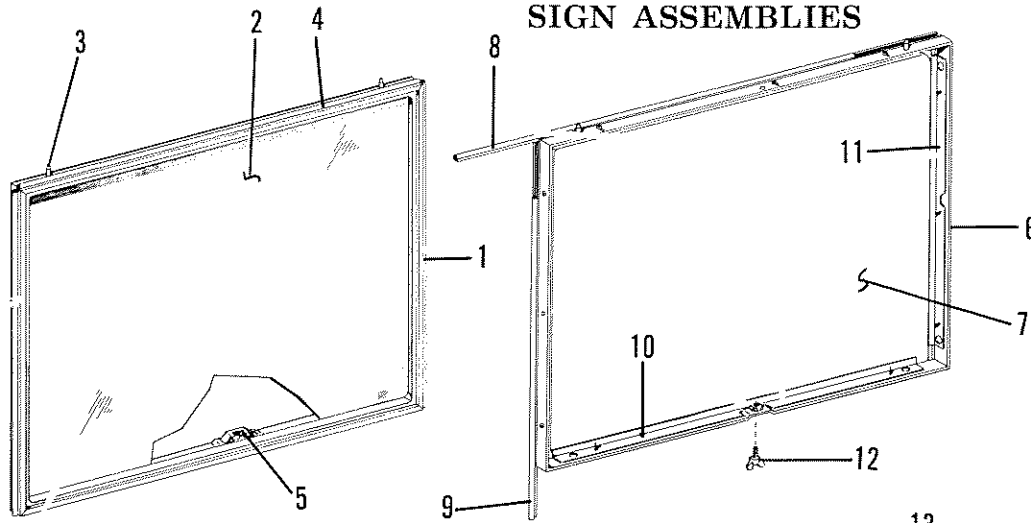
## REFRIGERATION ASSEMBLY



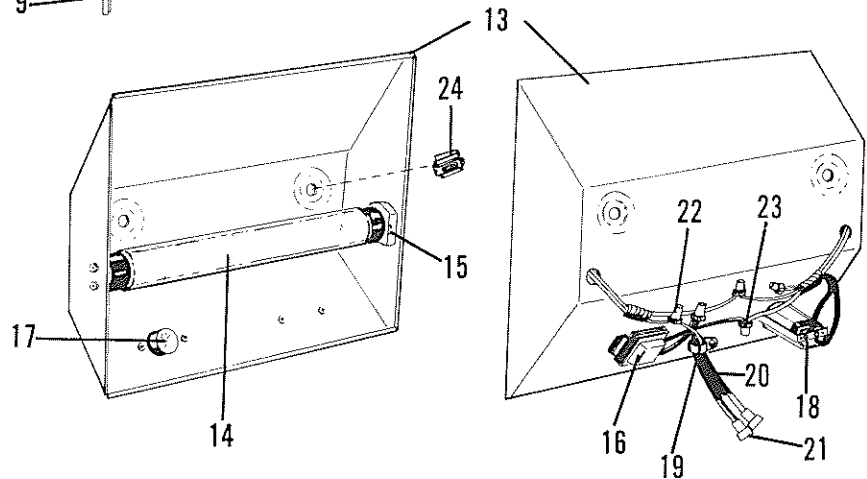
Item No.	PART NUMBER 56	No. Req.	REFRIGERATION ASSEMBLY PART NAME AND DESCRIPTION
—	110832-4	1	Refrigeration Unit Assembly—Complete
—	114470	1	Refrigeration Sub-Assembly V23TE*
1	914151-2	1	Plate, Evaporator, L.H.
—	914152	1	Plate, Evaporator, R.H.
2	321374	1	Cover, Evaporator, Top
3	520039	1	Shroud, Evaporator Fan
4	520038	1	Support, Evaporator Fan Motor
5	42321-12	1	Motor, Evaporator Fan
6	936196	1	Blade, Fan
7	339003	1	Thermostat
8	338666	1	Bracket, Thermostat
9	914161	1	Clip
10	321390	1	Baffle, Fan
11	915265	2	Clip
12	345572	1	Retainer, Tubing
13	337367-1	1	Junction Block & Cord Supply—Complete
14	337890	1	Clamp
15	915129-1	1	Motor, Fan
16	915127	1	Blade, Fan
17	326936	1	Bracket, Fan Motor Mounting
18	45052-11	1	Overload, Protector
19	333894-5	1	Relay, Starting
20	345632	1	Wiring, Tag—V23TE

\*Basic system (hermetically sealed) including Compressor, Condenser, evaporator, connecting lines and base.

SIGN ASSEMBLIES



REFLECTOR ASSEMBLY



Item No.	PART NUMBER 56	No. Req.	SIGN & REFLECTOR ASSEMBLIES PART NAME AND DESCRIPTION
—	110631-2	1	Sign Assembly—Metal
1	110630	1	Sign Rivet Assembly
2	333119	1	Sign Panel
3	333806	2	Pin
4	339951-14	1	Gasket
5	333023	1	Speed Grip Nut
—	114239-6	1	Sign Assembly—Lighted
6	109030	1	Frame Weldment
7	345175	1	Sign Face
8	333804	1	Gasket, Sign—Top
9	333804-6	2	Gasket, Sign—Sides
10	333802-1	2	Angle, Sign—Top & Bottom
11	333803-1	2	Angle, Sign—Sides
12	333120	1	Thumb Screw
—	108986	1	Reflector Assembly
13	108983	1	Reflector Weldment
14	332972	1	Lamp, Fluorescent
15	321340-6	2	Holder, Lamp
16	321345-1	1	Ballast
17	321350	1	Starter
18	327675	1	Socket, Starter
19	324099-2	1	Clamp (¼" Inside Dia.)
20	328074-6	1	Cord, Power Supply
21	321094	2	Cover, Terminal, Male
—	321095	2	Terminal, Male
22	41707	3	Connector, Closed End
23	43842	2	Connector, Closed End
24	330674	2	Speed Nut

## KITS AND ACCESSORIES

Can Spacer Kit—10 oz. 53587  
 Eyelet Ext. Kit 53576  
 Can Vender Conversion Kit 53493

<i>Item No.</i>	<i>PART NUMBER</i>	<i>No. Req.</i>	<i>SUGGESTED SPARE PARTS LIST PART NAME AND DESCRIPTION</i>
	332972	2	Lamp, Fluorescent
	321720	1	Spring
	321350	2	Starter
	41714	2	Lamp
	333787	1	Latch, Door
	42321-12	1	Motor, Evaporator Fan
	339003	1	Temperature Control
	324285	4	Spring, Extension
	105117	2	Gate and Lock Bar Assembly
	44102	4	X-Washer
	320277	4	Spring
	44828	2	Rivet
	44881	4	Spring
	44880	1	Gate
	V801-125-10	2	Roll Pin
	41350	2	Roller, Gate
	320982	1	Solenoid, Vend
	105452	1	Lever Assembly, Solenoid
	V751-31X	4	Ring, Retaining
	105360	2	Lock Slide Assembly
	41344	4	Screw, Shoulder
	44132	1	Latch
	44134	2	Spring
	45976	2	Spring, Lockslide
	105374	2	Master Link Assembly
	46426	2	Lever, Gate
	42728	4	Screw, Washer Head
	44135	4	Spring, Extension, Lower
	338549	1	Latch
	105360-1	1	Lock Slide Assembly
	111552	1	Gate and Lock Bar Assembly
	338329	1	Gate
	338328	1	Bar, Lock
	43961	4	Rivet, Shoulder
	338325	1	Link
	338335	1	Pusher
	338360	2	Spring
	320277	2	Spring

## FLAVOR LABELS

<i>Part Number</i>	<i>Flavor</i>				
D338512	Coca-Cola	D338512-33	Diet-Rite Root Beer	D338512-67	Bireley's Grape
D338512-1	Pepsi-Cola	D338512-34	King Size Dr. Pepper	D338512-68	Bireley's Root Beer
D338512-2	Royal Crown Cola	D338512-35	Dietetic Dr. Pepper	D338512-69	Orange Crush
D338512-3	Dr. Pepper	D338512-36	King Size Coca-Cola	D338512-70	Like—Etc.
D338512-4	Seven-Up	D338512-37	Double Cola	D338512-71	Quality-King
D338512-5	Orange	D338512-38	Cherry	D338512-72	Howdy Orange Soda
D338512-6	Grape	D338512-39	Black Cherry	D338512-73	Howdy Root Beer
D338512-7	Root Beer	D338512-40	Cream Soda	D338512-74	Howdy Imitation Grape Soda
D338512-8	Strawberry	D338512-41	Lemon	D338512-75	Howdy Cola
D338512-9	Lemon-Lime	D338512-42	Lime	D338512-76	Diet Rite Grape
D338512-10	Ginger Ale	D338512-43	Punch	D338512-77	Diet Rite Upper 10
D338512-11	Sprite	D338512-44	Cola	D338512-78	Diet Pepsi—Sugar Free
D338512-12	Pepsi-Cola—6 oz.	D338512-45	Chocolate	D338512-79	Nehi Lemonade
D338512-13	Pepsi-Cola—10 oz.	D338512-46	Sparkling Water	D338512-80	Tab
D338512-14	Pepsi-Cola—12 oz.	D338512-47	Canada Dry Ginger Ale	D338512-81	Fanta—Orange Soda
D338512-15	Patio Orange	D338512-48	Canada Dry Grape	D338512-82	Fanta—Lemon-Lime Soda
D338512-16	Patio Grape	D338512-49	Canada Dry Orange	D338512-83	Fanta—Root Beer
D338512-17	Patio Root Beer	D338512-50	Canada Dry Root Beer	D338512-84	Fanta—Imitation Grape
D338512-18	Patio Strawberry	D338512-51	Canada Dry Grape Fruit	D338512-85	Fanta—Imitation Strawberry
D338512-19	Patio Ginger Ale	D338512-52	Canada Dry Fruit Punch	D338512-86	Canada Dry Cola
D338512-20	Patio Up Town	D338512-53	Canada Dry Lemon Lime	D338512-87	Club Soda
D338512-21	Patio Punch	D338512-54	Canada Dry Cream Soda	D338512-88	Quinine
D338512-22	Patio Diet Cola	D338512-55	Canada Dry Hi Spot	D338512-89	Lemon Soda
D338512-23	Teem	D338512-56	Belfast Orange	D338512-90	Collins
D338512-24	Nehi Orange	D338512-57	Belfast Grape	D338512-91	Bitter Lemon
D338512-25	Nehi Root Beer	D338512-58	Sprig	D338512-92	Tahitian Treat (C.D.)
D338512-26	Nehi Strawberry	D338512-59	White Rock Orange	D338512-93	Wink (C.D.)
D338512-27	Nehi Grape	D338512-60	White Rock Grape	D338512-94	Pommac (D.P.)
D338512-28	Nehi Black Cherry	D338512-61	Mission Orange	D338512-95	Chime
D338512-29	Nehi Upper Ten	D338512-62	Nu-Grape	D338512-96	Mountain Dew
D338512-30	Diet-Rite Cola	D338512-63	Hires Root Beer	D338512-97	Kick
D338512-31	Diet-Rite Ginger Ale	D338512-64	Squirt	D338512-98	Lift
D338512-32	Diet-Rite Orange	D338512-65	Grapette	D338512-99	Dad's Root Beer
		D338512-66	Bireley's Orange	D338512-100	Fresca

## COINAGE LABELS

338003	10¢ Deposit 2 Nickels or a Dime
338003-1	Blank—No Text
338003-2	5¢ Deposit Nickel
338003-3	6¢ Deposit Penny Then Nickel
338003-4	7¢ Deposit 2 Pennies Then Nickel
338003-5	5¢ Deposit Nickel, Dime or Quarter
338003-6	6¢ Deposit Penny Then Nickel, Dime or Quarter
338003-7	7¢ Deposit 2 Pennies Then Nickel, Dime or Quarter
338003-8	10¢ Deposit 2 Nickels, Dime or Quarter
338003-9	11¢ Deposit Penny Then 2 Nickels, Dime or Quarter
338003-10	12¢ Deposit 2 Pennies Then 2 Nickels, Dime or Quarter
338003-11	15¢ Deposit Dime and Nickel, 3 Nickels, 2 Dimes or Quarter
338003-12	15¢ Deposit 3 Nickels or 1 Nickel and 1 Dime
338003-13	20¢ Deposit 2 Dimes, Dime and 2 Nickels, 4 Nickels or Quarter
338003-14	15¢ Deposit Nickel Then Dime
338003-15	20¢ Deposit 2 Dimes, Dime and 2 Nickels or 4 Nickels
338003-16	10¢ Deposit Dime Only