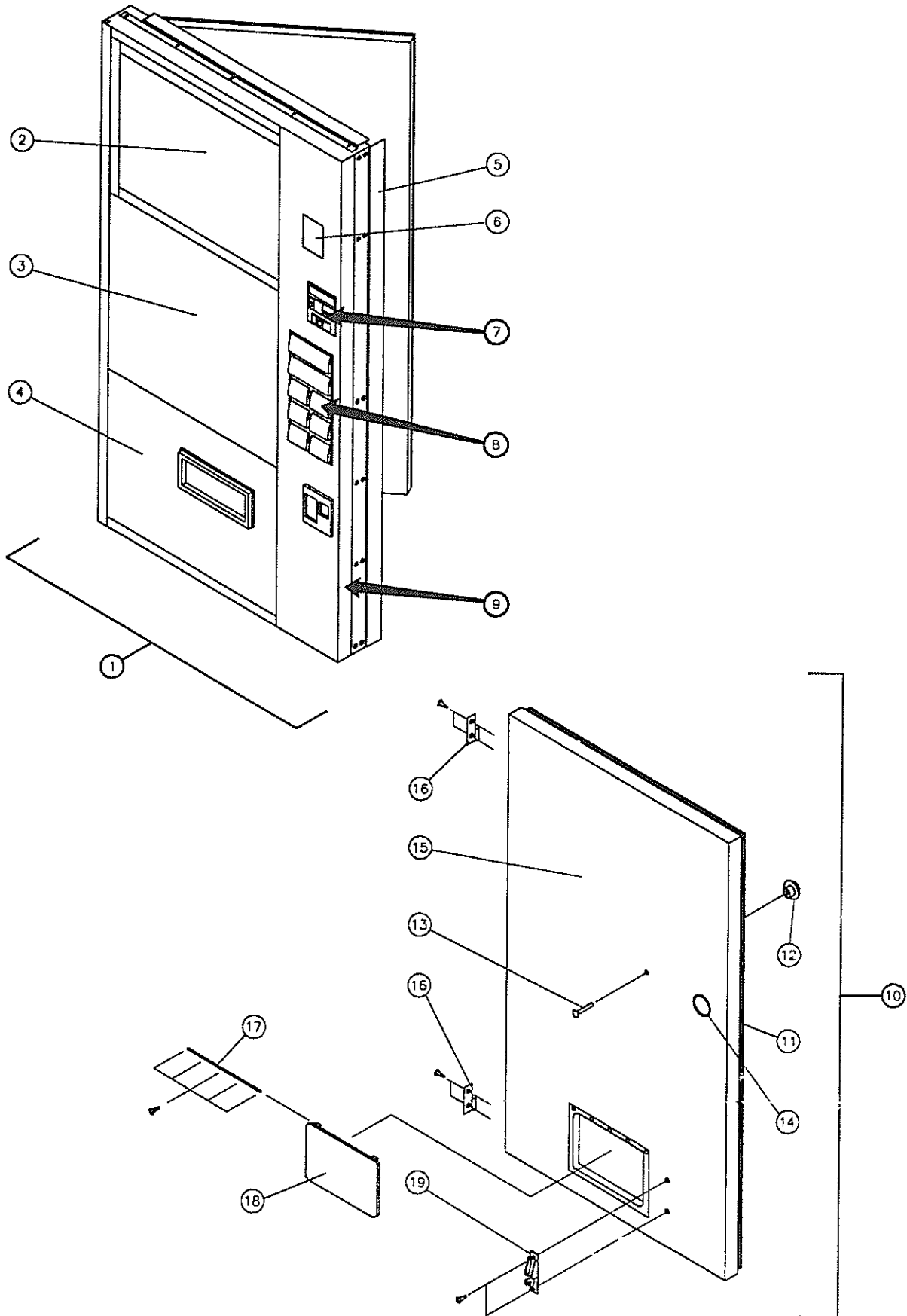
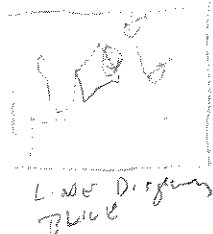
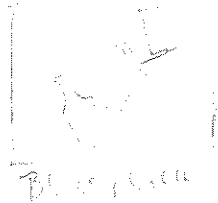
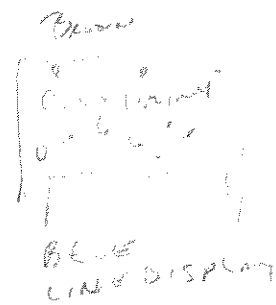
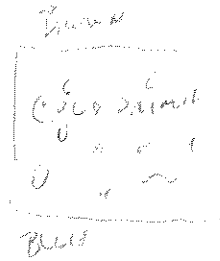
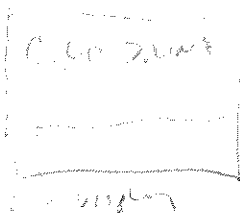
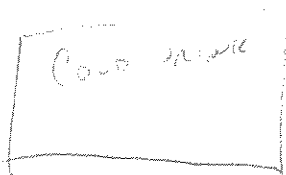


“UNIVENDOR”[®]
MILITARY 3D
PARTS SECTION
390150 I

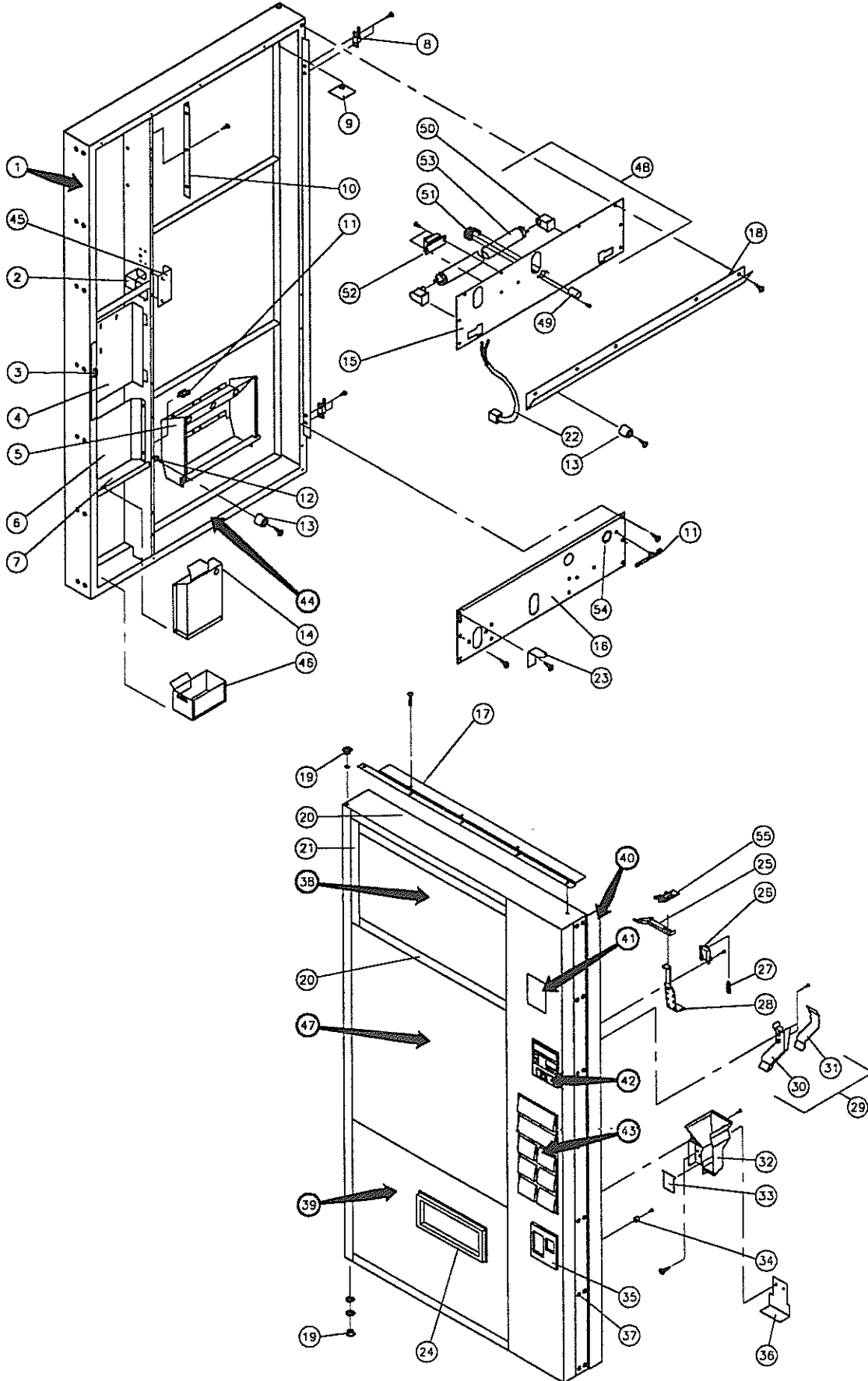






"UNIVENDOR" MILITARY MAIN DOOR-FLAT 3D

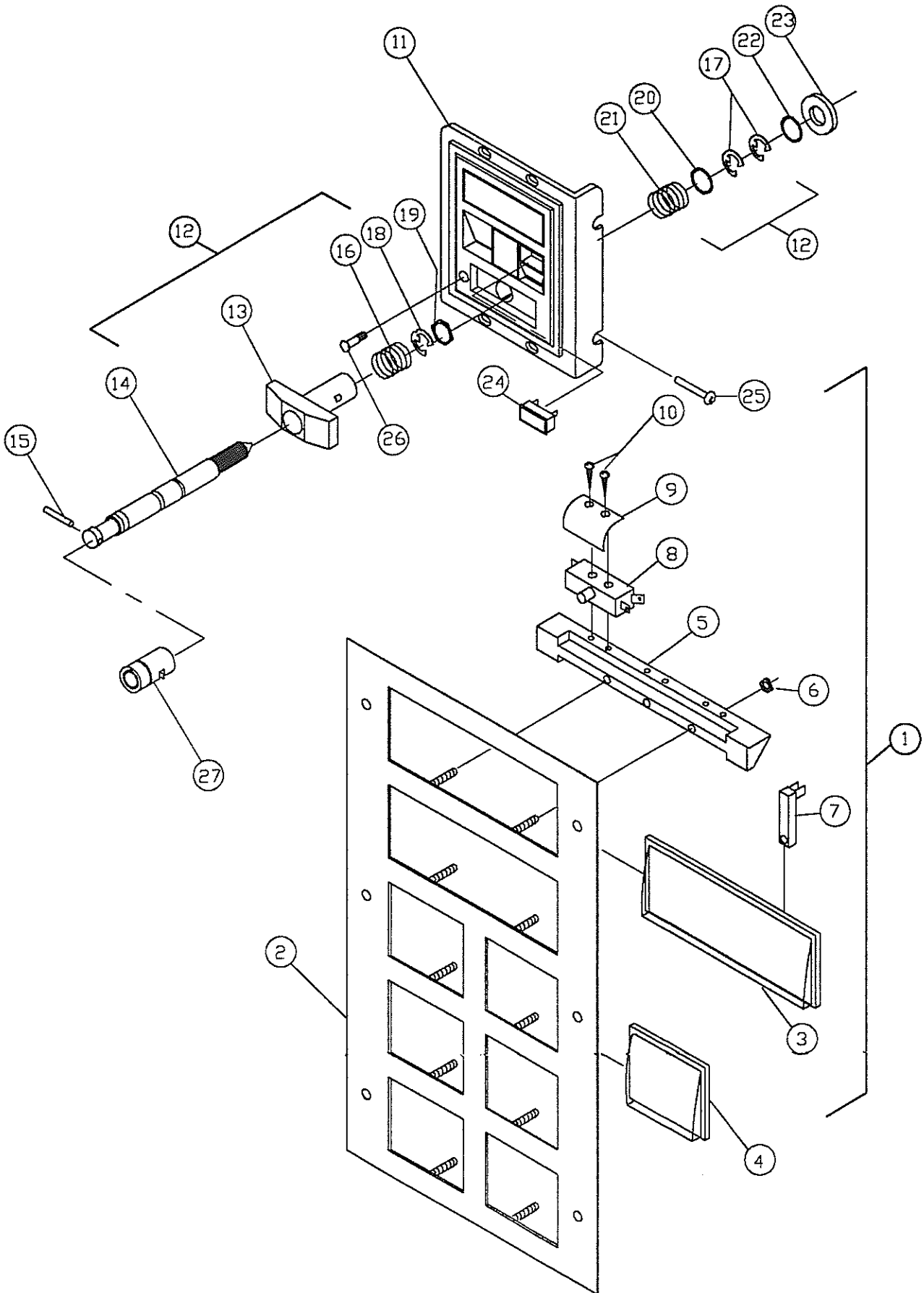
ITEM NO.	PART NAME & DESCRIPTION	MODEL NUMBER → NO. REQ	510 - 516	600 - 606	ITEM LETTER
			PART NO.	PART NO.	
1	OUTER DOOR ASSEMBLY - BROWN	1	134730-4	134730-11	
2	SIGN FACE - COLD DRINKS	1	388496	388496	
~	SIGN FACE - NEW GRAPHICS	1	388490-2	388490-2	
3	MID PANEL - BROWN	1	134766-4	134767-4	
4	LOWER PANEL - BROWN	1	134765-4	134765-4	
5	DOOR GUARD - BROWN	1	133629-23	133629-9	
6	VALIDATOR PLUG - BROWN	1	133539-4	133539-4	□□
~	VALIDATOR GASKET (NOT SHOWN)	1	388846	388846	
7	"T" HANDLE ASSY.-SEE PG. 1-14	1	~	~	
8	SELECTION PANEL-SEE PG. 1-14	1	~	~	
9	DOOR FRAME WELD - BROWN	1	133537-32	133537-33	
10	INNER DOOR ASSEMBLY (FINAL)	1	134302-3	134302-4	
11	INNER DOOR GASKET-SEE PG. A-5	1	~	~	
12	KNOB INNER DOOR	1	388305	388305	
13	CARRIAGE BOLT	1	V329258	329258	
14	GROMMET	1	388090	388090	
15	INNER DOOR PANEL	1	133438-1	133438	
16	HINGE - INNER DOOR	2	388148	388148	CC
17	HINGE PIN	1	389985	389985	C
18	DELIVERY EYELET DOOR	1	387270	387270	
19	LATCH MECHANISM	1	388435	388435	CC



"UNIVENDOR" MILITARY OUTER DOOR-FLAT 3D

ITEM NO.	MODEL NUMBER →		510 - 516	600 - 606	ITEM LETTER
	PART NAME & DESCRIPTION	REQ.	PART NO.	PART NO.	
1	OUTER DOOR ASSY. - SEE PG. E-6	1	~	~	
2	CREDIT RELAY	1	353343	353343	
3	LATCH - COINAGE DOOR	1	389612	389612	
4	COINAGE DOOR ASSEMBLY	1	388127	388127	E, CC
5	DELIVERY HOPPER ASSEMBLY	1	133574	133574	
6	BARRIER PANEL	1	388244	388244	CC
7	BULKHEAD	1	388119	388119	
8	HINGE - INNER DOOR	2	388149	388149	CC
9	BACKING PLATE	1	388443	388443	
10	SIGN RETAINER	1	389431-3	389431-3	CC
11	TIE DOWN PANEL MOUNT	A/R	388359-1	388359-1	
12	STRIKE	1	388433	388433	
13	BUMPER - DOOR	1	369466	369466	CC
14	COIN BOX	1	133563	133563	
15	LIGHT PANEL	1	388518	388518	
16	SHEAR PANEL, LOWER	1	388117	388117	
17	DOOR RAIN GUARD (BROWN)	1	133647-20	133647-20	R
18	RAIN GUTTER	1	388581-1	388581-1	CC
19	BUSHING - DOOR HINGE	2	388094	388094	EE
20	SIGN TRIM - TOP / BOTTOM	2	388284-3	388284-3	
21	SIGN TRIM - LEFT	1	388284-6	388284-5	
22	LIGHT HARNESS ASSY.-SEE PG. A-4	A/R	~	~	
23	RAMP - INNER DOOR	1	388367	388367	CC
24	EYELET TRIM	1	387125	387125	C
25	SCAVENGER CHUTE - RAIN GUARD	1	388944	388944	
26	SCAVENGER LEVER - SUPPORT	1	388220	388220	U
27	SPRING LEVER	1	387849	387849	
28	SCAVENGER LEVER	1	388690	388690	
29	COIN INSERT CHUTE ASSEMBLY	1	134759	134759	U
30	COIN ENTRANCE CHUTE	1	389065	389065	
31	COVER - COIN CHUTE	1	389066	389066	
32	CUP - COIN RETURN	1	388111	388111	CC, FF
33	COIN RETURN DOOR	1	389790	389790	
34	CUP WASHER	A/R	337241-1	337241-1	F
35	COIN RETURN TRIM	1	389791	389791	FF
36	CROWN BLOCKER	1	388455	388455	CC
37	CARRIAGE BOLT	A/R	389748-2	389748-2	J
38	SIGN FACE	1	388461-20	388457-9	
~	SIGN FACE - NEW GRAPHICS	1	388461-2	388490-2	
39	LOWER PANEL, OUTER DOOR	1	388453	388453	
40	DOOR GUARD	1	388708-1	388708	
41	VALIDATOR PLUG ASSY.-SEE PG. E-6	1	~	~	□□, PP
42	"T" HANDLE ASSY.-SEE PG.E-14	1	~	~	
43	SELECTION PANEL - SEE PG. E-14	1	~	~	
44	DOOR HARNESS - SEE PG. A-4	1	~	~	
45	JONES PLUG COVER	1	389123	389123	CC
46	CROWN BOX	1	133560	133560	
47	MID PANEL - SEE PG. E-6	1	~	~	
48	LIGHT - ASSEMBLY	1	134308-10	134308-10	
49	STARTER	1	321350	321350	
50	LAMP HOLDER - FIXED	2	388531	388531	
~	LAMP HOLDER - PLUNGER	2	388532	388532	
51	SOCKET - STARTER	1	327675-2	327675-2	
52	BALLAST - 60HZ	1	321345-3	321345-3	SS
~	BALLAST - 50HZ	A/R	327390	327390	
53	LAMP	1	332974	332974	
54	GROMMET	1	327021	327021	
55	T-HANDLE CHUTE	1	389240	389240	

NOTE: ITEM LETTER "HARDWARE" LISTED ON PAGE A-14



"UNIVENDOR" MILITARY
SELECTION PANEL / DOOR LATCH

ITEMS BELOW LISTED BY COLOR & NO. OF SELECTIONS

	ITEM NUMBER		1	2
	NUMBER OF SELECTIONS	NO REQ.	BUTTON PANEL ASSY.	SELECTION PANEL
BROWN	6 - SELECT	1	134758-10	134757-10
	7 - SELECT	1	134758-21	134757-21
	*8 - SELECT	1	134758-22	134757-22
	9 - SELECT	1	134758-23	134757-23
	10- SELECT	1	134758-24	134757-24

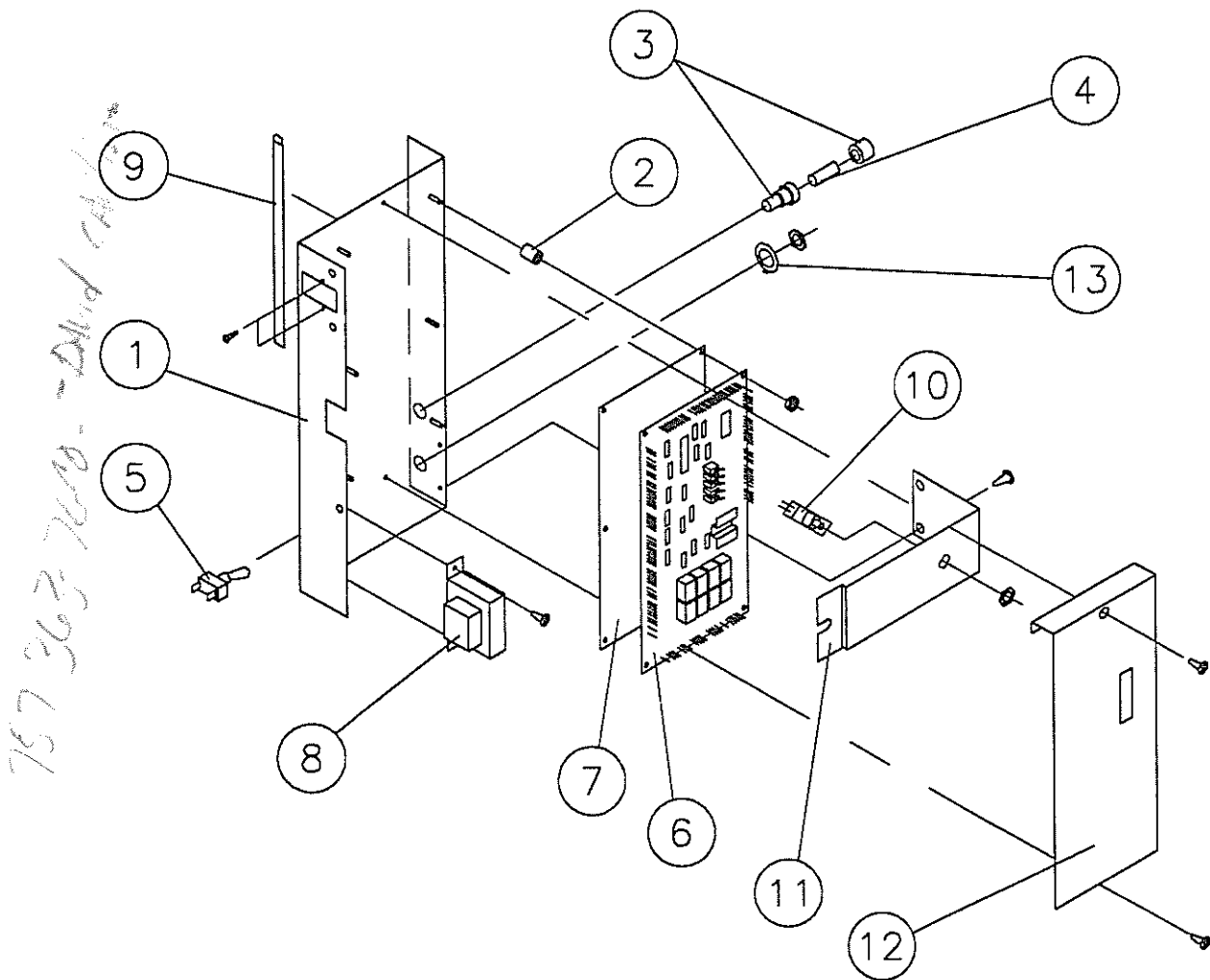
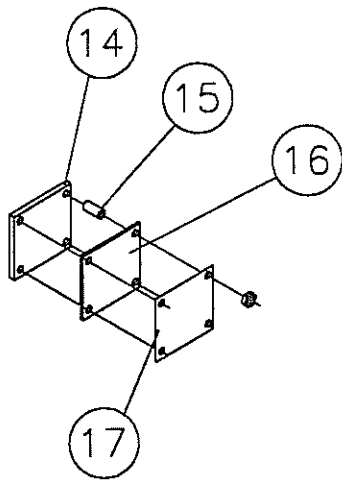
ITEMS LISTED BELOW COMMON TO ALL CONFIGURATIONS

ITEM NO.	PART NAME & DESCRIPTION	NO. REQ'D.	PART NO.
1	BUTTON ASSEMBLY	1	SEE ABOVE
2	SELECTION PANEL	1	SEE ABOVE
3***	SELECTION BUTTON - MEDIUM	AR	370840-1
4	SELECTION BUTTON - SMALL	AR	370841-1
5	BUTTON RETAINER	AR	388360
6	HEX NUT - RETAINER	AR	V800956
7	SOLD-OUT LAMP	AR	383991
8	SELECTION SWITCH	AR	385440
9	LEAF SPRING - SELECTION BUTTON	AR	388444
10	TAPPING SCREW - SWITCH	AR	V801499
11	COIN INSERT CASTING	1	389780
12	LOCK ASSEMBLY	1	134734
13	"T" HANDLE	1	387603
14	LOCKING STUD (BOLT)	1	388131
15	PIN - STUD	1	387601
16	SPRING	2	387598
17	"E" RETAINER RING	2	387719
18	"E" RETAINER RING	1	388589
19	HEX FLAT WASHER	1	387600
20	FLAT WASHER	1	387718
21	SPRING (HEAVY)	1	389691
22	FLAT WASHER - 1/2"	2	V801023
23	VAPOR SEAL	1	388132
24	CORRECT CHANGE LIGHT	1	387124
25	CARRIAGE BOLT	AR	V801434
26	CARRIAGE BOLT	1	V802005
27**	KEY AND LOCK ASSEMBLY	AR	~

***NOTE: FOR FLAVOR LABELS, SEE PAGES A-8 THRU A-13

**NOTE: KEY AND LOCK CAN BE ORDERED THROUGH VENGUARD

*NOTE 8 SELECT SHOWN



"UNIVENDOR"® ELECTRONICS ASSEMBLY

ITEM NO.	PART NAME & DESCRIPTION	REQ.	PART NO.	ITEM LETTER
1	CONTROL BOARD BRACKET	1	134699	MM
2	SPACER - CONTROL BOARD	6	387238	
3	FUSE HOLDER	1	387966	
4	FUSE - 5 AMP.	1	387967	
5	POWER SWITCH	1	348683	
6	CONTROL BOARD	1	388697	
7	INSULATOR - CONTROL BOARD	1	385968	
8	TRANSFORMER	1	388914	CC
9	EDGE TRIM	1	388304	
10	DOOR SWITCH	1	323007	TT
11	COVER - TRANSFORMER	1	389840	CC
12	COVER - CONTROL BOARD	1	389839	□
13	LOCKING RING	1	387947	
14	DISPLAY LENS	1	387883	UU
15	SPACER - DISPLAY BOARD	1	387238-2	
16	DISPLAY BOARD	1	385963	
17	INSULATOR - DISPLAY BOARD	1	385972	
18	DISPLAY HARNESS (NOT SHOWN - SEE PAGE A4)	1	~	
19	COINAGE HARNESS (NOT SHOWN - SEE PAGE A4)	1	~	
20	DOOR HARNESS (NOT SHOWN - SEE PAGE A4)	1	~	
21	ELEC. TRANS. HARNESS (NOT SHOWN - SEE PAGE A4)	1	~	

NOTE: ITEM LETTER "HARDWARE" LISTED ON PAGE A-14