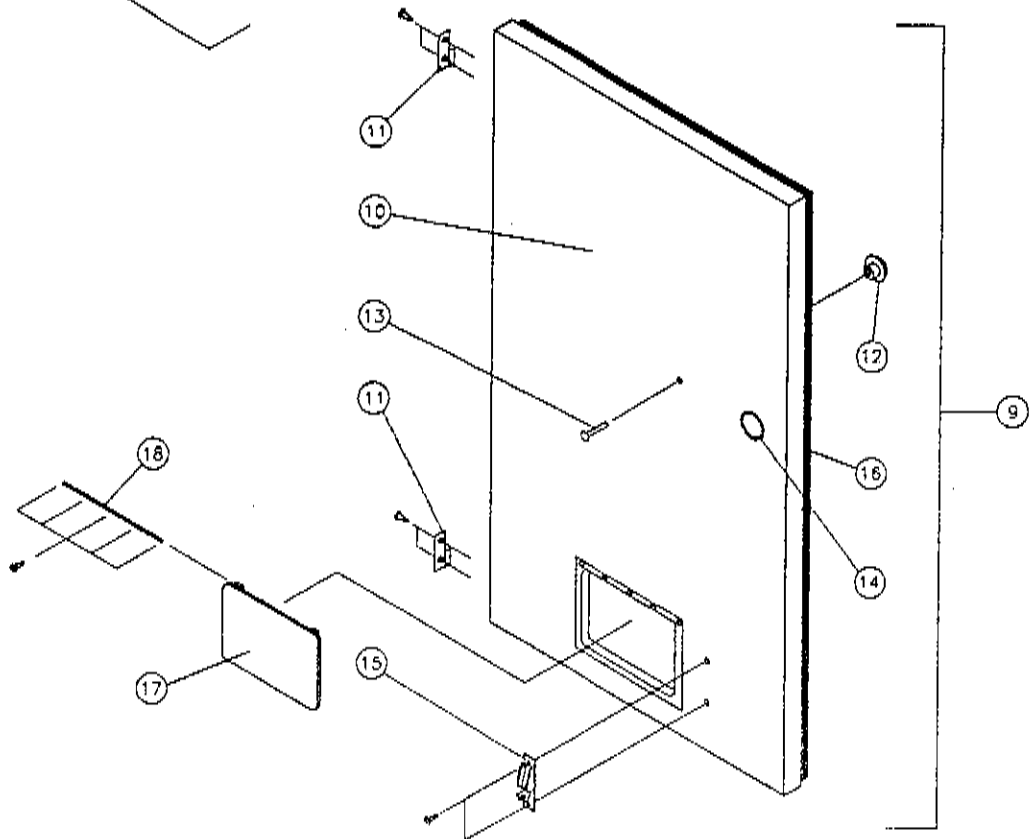
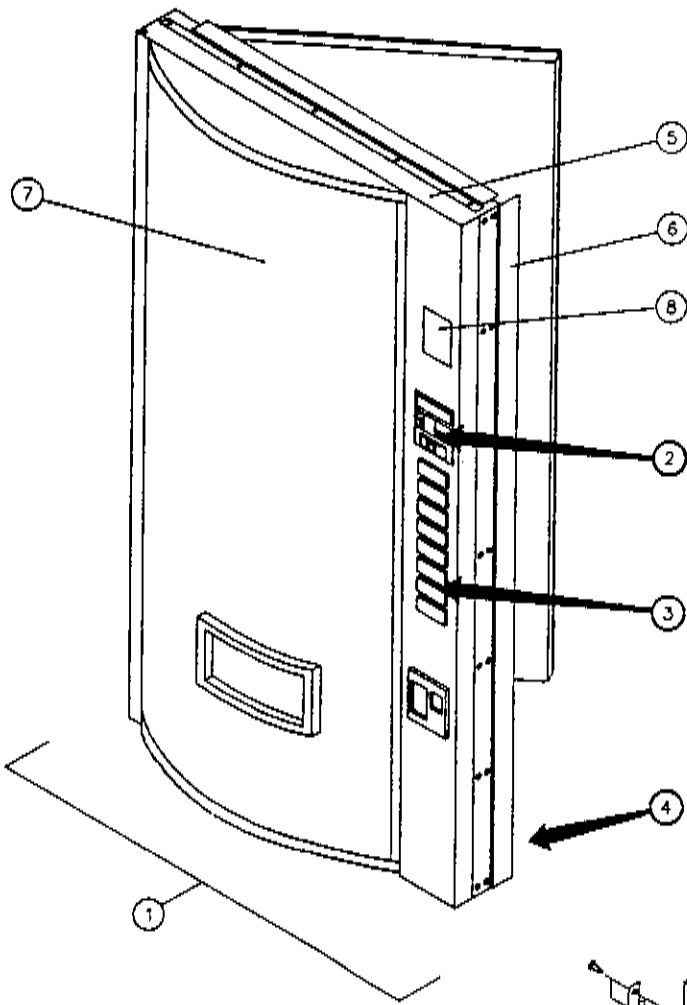


“UNIVENDOR”[®]
PEPSI 3D
PARTS SECTION



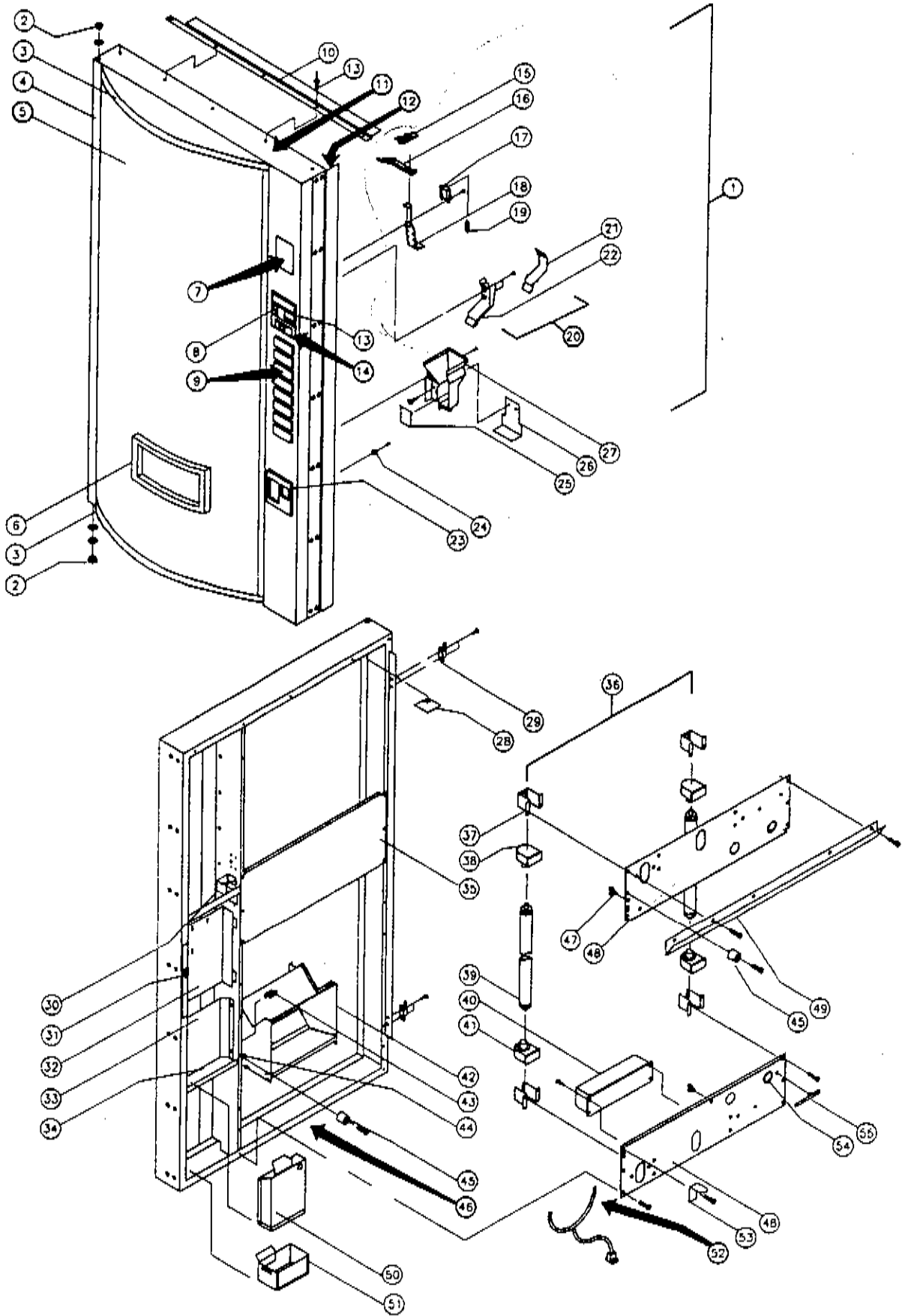
390150 D



"UNIVENDOR" PEPSI 39" MAIN DOOR CURVED 3D

ITEM NO.	PART NAME & DESCRIPTION	REQ.	MODEL NUMBER →		ITEM LETTER
			510 - 516	600 - 606	
			PART NO.	PART NO.	
1	OUTER DOOR ASSY - SEE D-4	1	~	~	
2	"T" HANDLE ASSY - SEE D-10	1	~	~	
3	SELECTION PANEL - SEE D-10	1	~	~	
4	DOOR HARNESS - SEE PG. A-4	1	~	~	
5	DOOR FRAME WELD -BLACK	1	133459-1	133459	
6	DOOR GUARD	1	133629-4	133629-3	
7	SIGN FACE - SEE PAGE D-4	1	~	~	
8	VALIDATOR PLUG	1	133539-2	133539-2	□□
~	VALIDATOR GASKET (NOT SHOWN)	1	388846	388846	
9	INNER DOOR ASSEMBLY (FINAL)	1	134302-3	134302-4	
10	INNER DOOR ASSY (FOAMED)	1	133438-1	133438	
11	HINGE - INNER DOOR	2	388148	388148	CC
12	DOOR HANDLE	1	388305	388305	
13	CARRIAGE BOLT - HANDLE	1	V329258	V329258	
14	GROMMET	2	388090	388090	
15	LATCH MECHANISM	1	388435	388435	CC
16	GASKET - SEE PAGE A-5	1	~	~	
17	DELIVERY EYELET DOOR	1	387270	387270	
18	HINGE PIN	1	389985	389985	C

NOTE: ITEM LETTER "HARDWARE" LISTED ON PAGE A-14

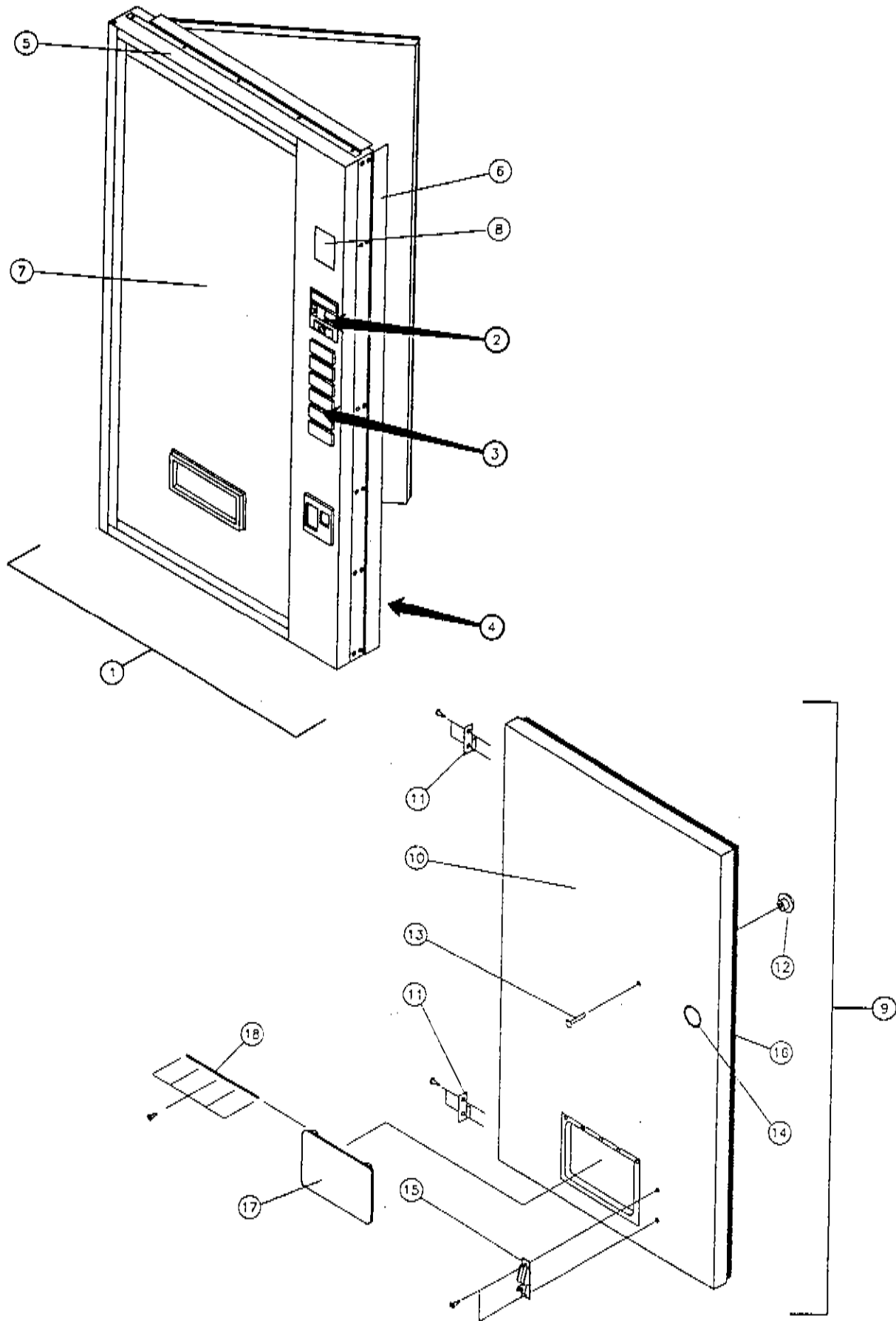


"UNIVENDOR"®

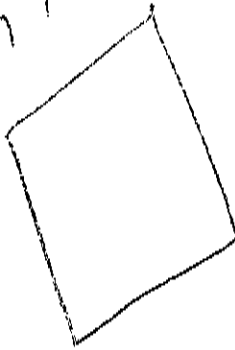
PEPSI 39"-OUTER DOOR CURVED 3D

ITEM NO.	PART NAME & DESCRIPTION	MODEL NUMBERS		ITEM NO.	
		510 - 516	600 - 606		
REQ.	PART NUMBER	PART NUMBER			
1	OUTER DOOR ASSEMBLY - PEPSI - 8 SELECT	1	133507-1 ✓	133507	
~	OUTER DOOR ASSY. - DIET PEPSI - 8 SELECT	1	133507-6	133507-5	
2	BUSHING - DOOR HINGE	2	388094	388094	NN, EE
3	SIGN CAP - TOP/BOTTOM	2	388284	388284	CC
4	SIGN FRAME - LEFT	1	388125-2	388125	CC
5	SIGN FACE - PEPSI 390071	1	388113-1	388113	
~	SIGN FACE - DIET PEPSI	1	388475-2	388475-3	
6	EYELET TRIM	1	388271	388271	FF
7	VALIDATOR PLUG - SEE PAGE D-2	1	~	~	
8	COIN INSERT CASTING	1	389780	389780	
9	SELECTION PANEL - SEE PAGE D-10	1	~	~	
10	DOOR RAIN GUARD - BLACK	1	133647-2	133647-4	R
11	DOOR FRAME WELD - SEE PAGE D-2	1	~	~	
12	DOOR GUARD - SEE PAGE D-2	1	~	~	Q, J
13	CORRECT CHANGE LAMP	1	387124	387124	
14	T-HANDLE ASSY. - SEE PAGE D-10	1	~	~	
15	T-HANDLE CHUTE	1	389240	389240	
16	SCAVENGER CHUTE	1	388684	388684	
17	RETAINER - LEVER	1	388220	388220	U
18	SCAVENGER LEVER	1	388690	388690	
19	SPRING - LEVER	1	387849	387849	
20	COIN INSERT CHUTE ASSEMBLY	1	133428	133428	U
21	COVER - CHUTE	1	389066	389066	
22	COIN INSERT CHUTE	1	389065	389065	
23	COIN RETURN TRIM	1	389791	389791	FF
24	CUP WASHER - TRIM	2	337241	337241	FF
25	COIN RETURN DOOR	1	389790	389790	CC
26	CROWN BLOCKER	1	388455	388455	
27	CUP - COIN RETURN	1	388111	388111	FF
28	BACKING PLATE	1	388443	388443	
29	HINGE - INNER DOOR	2	388149	388149	CC
30	CREDIT RELAY	1	353343	353343	
31	LATCH - COINAGE DOOR	1	389612	389612	
32	COINAGE DOOR ASSEMBLY	1	133435	133435	E
33	BARRIER PANEL	1	388244	388244	CC
34	BULKHEAD	1	388119	388119	
35	SHEAR PANEL - MIDDLE	1	389834-1	389834-1	
36	LIGHT ASSEMBLY	1	134308-28	134308-18	
37	BRACKET - LAMPHOLDER	1	388409	388409	
38	LAMP HOLDER - PLUNGER	2	388260	388260	
39	FLUORESCENT LAMP (SLIM LINE)	2	388320-1	388320	
40	BALLAST - LAMP (SLIM LINE)	1	388259	388259	D
41	LAMP HOLDER - FIXED	2	388261	388261	
42	DELIVERY HOPPER	1	134789	134789	
~	EXTENSION (NOT SHOWN)	2	389088	389088	N
43	CLAMP	A/R	384692-2	384692-2	
44	STRIKE	1	388433	388433	CC
45	BUMPER - DOOR	2	369466	369466	
46	DOOR HARNESS-SEE PG. A-4 (NOT SHOWN)	1	~	~	
47	HARNESS CLIP	A/R	384692	384692	
~	SHEAR PANEL - TOP	1	388117	388117	CC
48	SHEAR PANEL - BOTTOM	1	388117	388117	CC
49	RAIN GUTTER	1	388581-1	388581-1	CC
50	COIN BOX	1	133563	133563	
51	CROWN BOX	1	133560	133560	
52	LIGHT HARNESS-SEE PG. A-4	1	~	~	
53	RAMP - INNER DOOR	1	388367	388367	CC
54	GROMMET	1	327021	327021	
55	HARNESS TIE	2	388359-1	388359-1	
56	SPLICE - TOP SHEAR PANEL (NOT SHOWN)	1	~	~	

NOTE: ITEM LETTER "HARDWARE" LISTED ON PAGE A-14
 NOTE: FOR LABELS AND DECALS SEE PAGE A-6



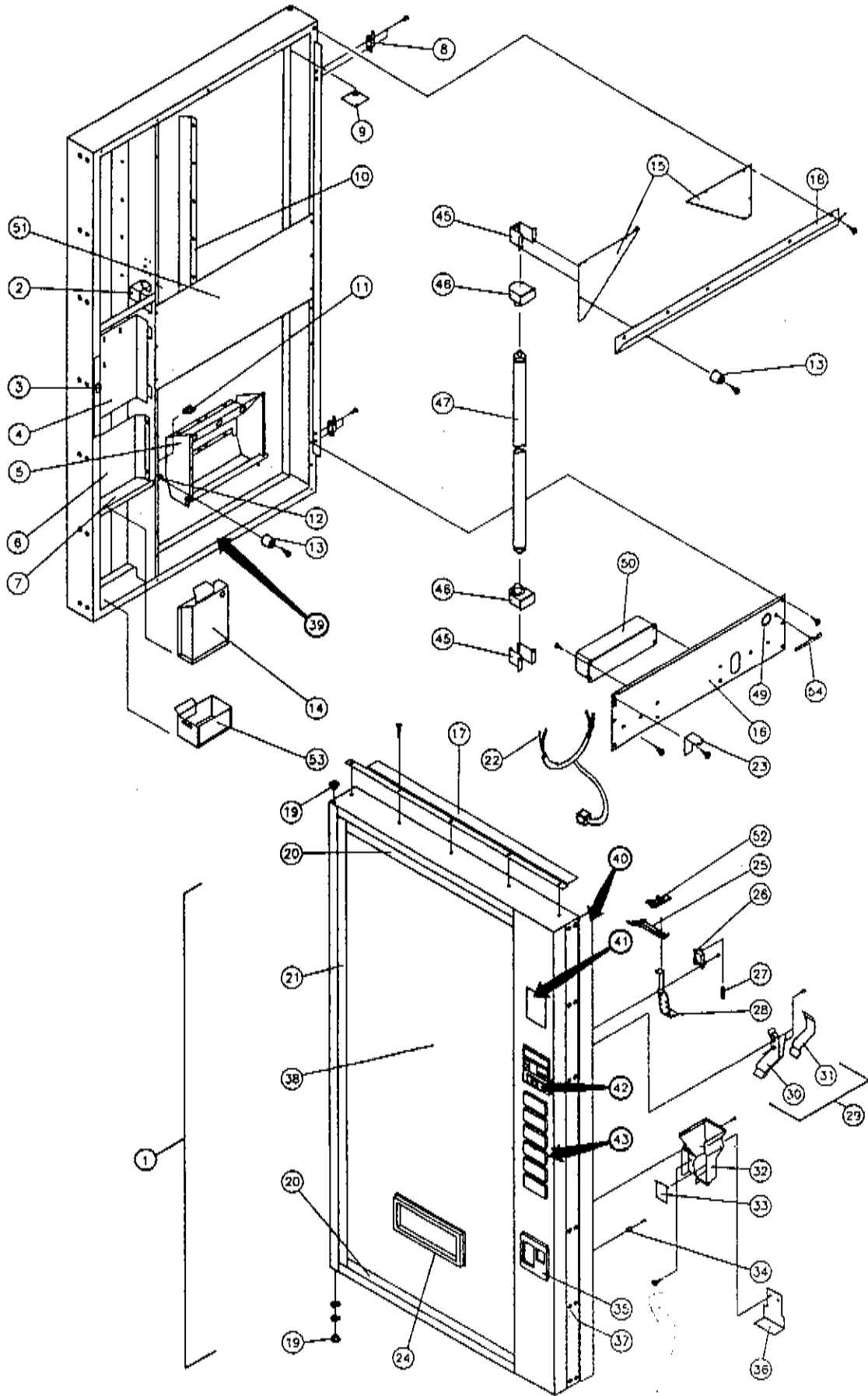
James
Push to D. spring
prices
P/A
1001434



"UNIVENDOR" PEPSI 32" - MAIN DOOR FLAT 3D

ITEM NO.	MODEL NUMBER →		510-516	600-606	ITEM LETTER
	PART NAME & DESCRIPTION	REQ.	PART NO.	PART NO.	
1	OUTER DOOR ASSY - SEE D-4	1	~	~	
2	"T" HANDLE ASSY - SEE D-10	1	~	~	
3	SELECTION PANEL - SEE D-10	1	~	~	
4	DOOR HARNESS - SEE PG. A-4	1	~	~	
5	DOOR FRAME WELD -BLACK	1	133459-4	133459-3	
6	DOOR GUARD	1	133629-7	133629-4	
7	SIGN FACE - SEE PAGE D-8	1	~	~	
8	VALIDATOR PLUG	1	133539-2	133539-2	
~	VALIDATOR GASKET (NOT SHOWN)	1	388846	388846	
9	INNER DOOR ASSEMBLY (FINAL)	1	134302	134302-1	
10	INNER DOOR ASSY (FOAMED)	1	133438-4	133438-3	
11	HINGE - INNER DOOR	2	388148	388148	CC
12	DOOR HANDLE	1	388305	388305	
13	CARRIAGE BOLT - HANDLE	1	V329258	V329258	
14	GROMMET	2	388090	388090	
15	LATCH MECHANISM	1	388435	388435	CC
16	GASKET - SEE PAGE A-5	1	~	~	
17	DELIVERY EYELET DOOR	1	387270	387270	C
18	HINGE PIN	1	389985	389985	

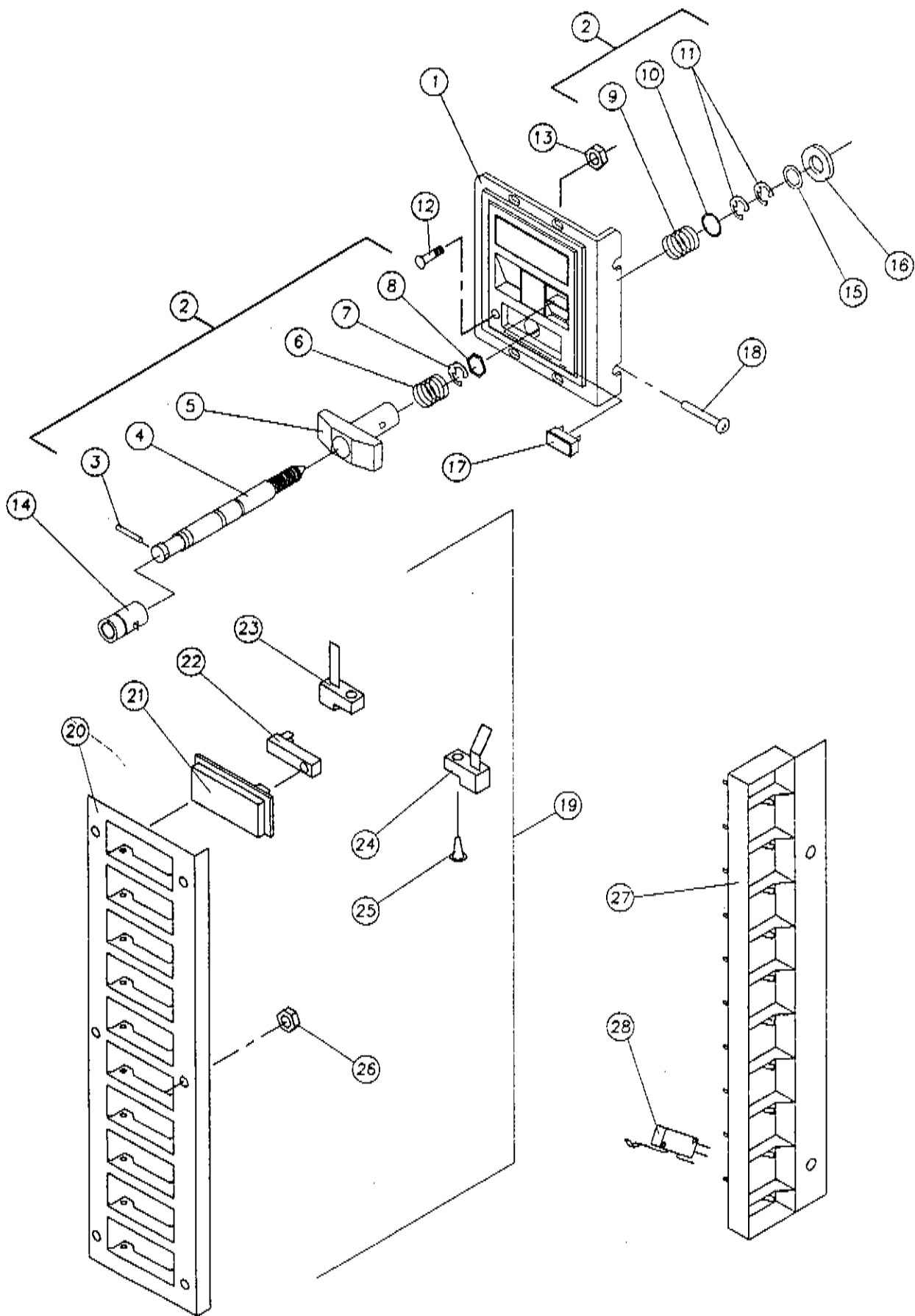
NOTE: ITEM LETTER "HARDWARE" LISTED ON PAGE A-14



"UNIVENDOR" PEPSI 32" OUTER DOOR FLAT 3D

ITEM NO.	PART NAME & DESCRIPTION	MODEL NUMBER →		ITEM LETTER	
		510-516	600-606		
1	OUTER DOOR ASSY. - PEPSI - 6 SEL.	1	133507-4	133507-3	
2	OUTER DOOR ASSY - DIET PEPSI - 6 SEL.	1	133507-9	133507-8	
3	CREDIT RELAY	1	353343	353343	
4	LATCH - COINAGE DOOR	1	389612	389612	
5	COINAGE DOOR ASSEMBLY	1	133435	133435	E
6	DELIVERY HOPPER ASSEMBLY	1	133574	133574	
7	BARRIER PANEL	1	388244	388244	CC
8	BULKHEAD	1	388119	388119	
9	HINGE - INNER DOOR	2	388149	388149	CC
10	BACKING PLATE	1	388443	388443	
11	SIGN RETAINER	1	388263	388263	
12	CLAMP	3	384692-2	384692-2	
13	STRIKE	1	388433	388433	
14	BUMPER - DOOR	1	369466	369466	CC
15	COIN BOX	1	133563	133563	CC
16	SAIL PANEL	2	388774	388774	
17	SHEAR PANEL, LOWER	1	389624	389624	CC
18	DOOR RAIN GUARD (BLACK)	1	133647-3	133647-3	R
19	RAIN GUTTER	1	388581	388581	CC
20	BUSHING - DOOR HINGE	2	388094	388094	EE
21	SIGN TRIM - TOP / BOTTOM	1	388284	388284	
22	SIGN TRIM - LEFT	1	388284-2	388284-2	
23	LIGHT HARNESS ASSY.-SEE PG. A-4	1	~	~	
24	RAMP - INNER DOOR	1	388367	388367	CC
25	EYELET TRIM	1	387125	387125	FF
26	SCAVENGER CHUTE - RAIN GUARD	1	388684✓	388684	
27	SCAVANGER LEVER RETAINER	1	388220✓	388220	U
28	SPRING LEVER	1	387849✓	387849	
29	SCAVENGER LEVER	1	388690✓	388690	
30	COIN INSERT CHUTE ASSEMBLY	1	133428	133428	
31	COIN ENTRANCE CHUTE	1	389065	389065	U
32	COVER - COIN CHUTE	1	389066	389066	
33	CUP - COIN RETURN	1	388111 ✓	388111	
34	COIN RETURN DOOR	1	389790 ✓	389790	FF
35	CUP WASHER	2	337241-1 ✓	337241-1	FF
36	COIN RETURN TRIM	1	389791 ✓	389791	
37	CROWN BLOCKER	1	388455	388455	
38	CARRIAGE BOLT	A/R	389748-2	389748-2	
39	SIGN FACE - PEPSI	1	388129-1	388129	
40	SIGN FACE - DIET PEPSI	1	388475-4	388475	
41	DOOR HARNESS - SEE PAGE A-4	1	~	~	
42	DOOR GUARD - SEE PAGE D-6	1	~	~	J
43	VALIDATOR PLUG - SEE PAGE D-6	1	~	~	
44	"T" HANDLE ASSEMBLY - SEE PAGE D-10	1	~	~	
45	SELECTION PANEL ASSY. - SEE PAGE D-10	1	~	~	
46	LIGHT ASSEMBLY	1	134308-46	134308-46	
47	BRACKET - LAMPHOLDER	4	388413	388413	
48	LAMP HOLDER - PLUNGER	2	388260	388260	
49	FLUORESCENT BULB	2	388320-2	388320-1	
50	LAMP HOLDER - FIXED	2	388261	388261	
51	GROMMET	1	327021	327021	
52	BALLAST	1	388259	388259	CC
53	MID SHEAR PANEL	1	389834	389834	
54	"T" HANDLE RAIN CHUTE	1	389240	389240	
55	CROWN BOX	1	133560	133560	
56	CLAMP	A/R	388359-1	388359-1	

NOTE: ITEM LETTER "HARDWARE" LISTED ON PAGE A-14



"UNIVENDOR"

PEPSI 3D SELECTION PANEL/DOOR LATCH

ITEM NO.	PART NAME & DESCRIPTION	NO. REQ'D.	PART NO.
1	COIN INSERT CASTING	1	389780 ✓
2	LOCK ASSEMBLY	1	134734 ✓
3	PIN - STUD	1	387601
4	LOCKING STUD (BOLT)	1	388131
5	"T" HANDLE	1	387603
6	SPRING	1	387598
7	"E" RETAINER RING	1	388589
8	HEX FLAT WASHER	1	387600
9	SPRING (HEAVY)	1	389691
10	FLAT WASHER	1	387718
11	"E" RETAINER RING	2	387719
12	CARRIAGE BOLT	1	V802005
13	HEX NUT	1	V800957
14 **	KEY AND LOCK ASSEMBLY	1	~
15	FLAT WASHER (1/2")	2	V801023
16	VAPOR SEAL	1	388132
17	CORRECT CHANGE LIGHT	1	387124
18	CARRIAGE BOLT	A/R	389748-2
19	SELECTION PANEL ASSY. (6 SELECT)	1	133508
~	SELECTION PANEL ASSY. (7 SELECT)	1	133508-3
~	SELECTION PANEL ASSY. (8 SELECT)	1	133508-1
~	SELECTION PANEL ASSY. (9 SELECT)	1	133508-4
~	SELECTION PANEL ASSY. (10 SELECT)	1	133508-2
20	SELECTION PANEL (6 SELECT)	1	133491
~	SELECTION PANEL (7 SELECT)	1	133491-2
~	SELECTION PANEL (8 SELECT)	1	133491-1
~	SELECTION PANEL (9 SELECT)	1	133491-3
~	SELECTION PANEL (10 SELECT)	1	133491-4
21	*** SELECTION BUTTON	A/R	388246
22	SOLD OUT LAMP	A/R	383991
23	LEAF SPRING (SHORT)	A/R	388725
24	LEAF SPRING (FORMED)	A/R	388836
25	TAPPING SCREW (SPRING)	A/R	V801450
26	HEX NUT	A/R	V800959
27	SWITCH MOUNT PLATE	1	388258
28	SELECTION SWITCH	1	337576

** NOTE: KEY AND LOCK CAN BE ORDERED THROUGH VENGUARD

*** NOTE: FOR FLAVOR LABELS, SEE PAGES A8 THRU A13