

## INSTALLING THE COIN CHANGER

See Figure 2.0

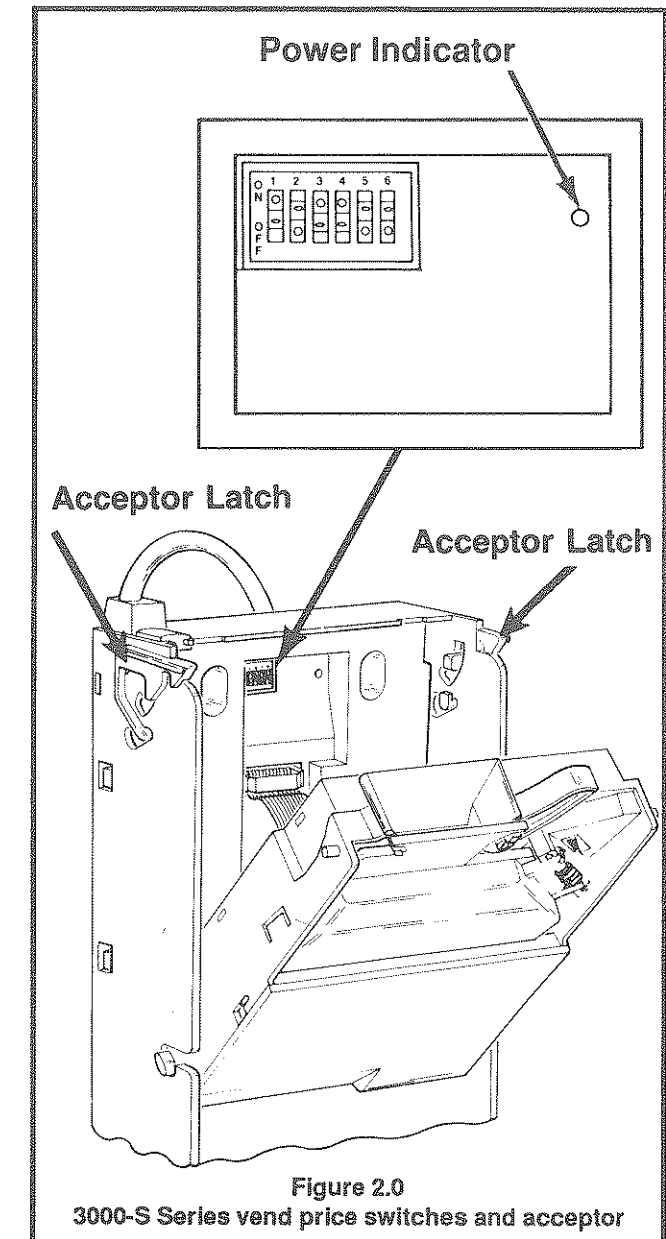
1. Remove power from vendor.
2. Remove the acceptor from the changer by releasing acceptor latches and pulling the top of the acceptor forward, away from changer. Unplug ribbon cable from changer. Free lower acceptor studs from changer housing. With the acceptor removed, set key holes in back of changer housing over mounting screw in the vendor. Tighten snugly.
3. Set desired changer options (See Vend Price Switch Settings.)
4. Replace the acceptor by inserting bottom acceptor studs into changer housing guides. Plug the acceptor ribbon cable into the changer. Press top of acceptor into changer housing until top acceptor studs lock into changer's acceptor latches.
5. Connect changer to desired options, if any. Plug changer into eight-pin vendor socket.
6. Load coin tubes making sure all coins lie flat.
7. Apply power to vendor.
8. Test changer with a variety of coins to insure proper operation.

**NOTE: SAVE THE COIN CHANGER CARTON.**  
Always store coin changer in its shipping carton when not in use. This will keep the unit clean and protected.

## VEND PRICE SWITCH SETTINGS

See Figure 2.0

1. Unplug the coin changer.
2. Remove the acceptor.
3. Located in the upper portion of the changer is a single switch module with 6 rocker switches. When the top of the rocker switch is pushed in, it is in the ON position. The switches correspond as follows:
  - 1= 5¢
  - 2= 10¢
  - 3= 20¢
  - 4= 40¢
  - 5= 80¢
  - 6= \$1.60



4. The vend price is set by adding the value of switches 1-6, which are in the ON position. Example: Switches 1, 3 and 4 in the ON position = 65¢ vend price.
5. Set switches 1-6 to desired vend price. Make sure vend price set on changer corresponds to vend price indicated on front of vendor.

# SECTION 2: INSTALLATION

## VEND PRICE AND OPTION SWITCH SETTINGS

See Figure 2.0

1. Unplug the coin changer.
2. Remove the acceptor.
3. Located in the upper portion of the changer is a single switch module with 12 rocker switches. When the top of the rocker switch is pushed in, it is in the ON position. The switches correspond as follows:

- 1=5¢
- 2=10¢
- 3=20¢
- 4=40¢
- 5=80¢
- 6=\$1.60
- 7=\$3.20
- 8=\$6.40
- 9=USA/CAN
- 10=\$ coin acceptance
- 11=LO 25¢
- 12=escrow until select

4. The vend price is set by adding the value of switches 1-8, which are in the ON position. Example: switches 1, 3, and 4 in the ON position = 65¢ vend price.

5. Set switches 1-8 to desired vend price. Make sure vend price set on changer corresponds to vend price indicated on front of vendor.

6. Set option switches 9-12 to desired setting.

- |            |      |  |
|------------|------|--|
| 9-USA/CAN  | ON:  | US and Canadian coins will be accepted.  |
|            | OFF: | Canadian coins will be rejected.   |
| 10-\$ ACPT | ON:  | Dollar coin will be accepted.  |
|            | OFF: | Dollar coins will be rejected.   |
| 11-LO 25¢  | ON:  | Quarters are directed to cash box once change tube has approximately 22 quarters |
|            | OFF: | Quarters are directed to cash box once change tube is full.                      |
| 12-ESC-SEL | ON:  | Changer allows complete escrow until selection and delivery have been made.      |
|            | OFF: | Changer allows escrow until vend price is accumulated.                           |
- NOTE: Vending machine dictates which position is used. For standard can/bottle. Switch 12 must be in the OFF position.

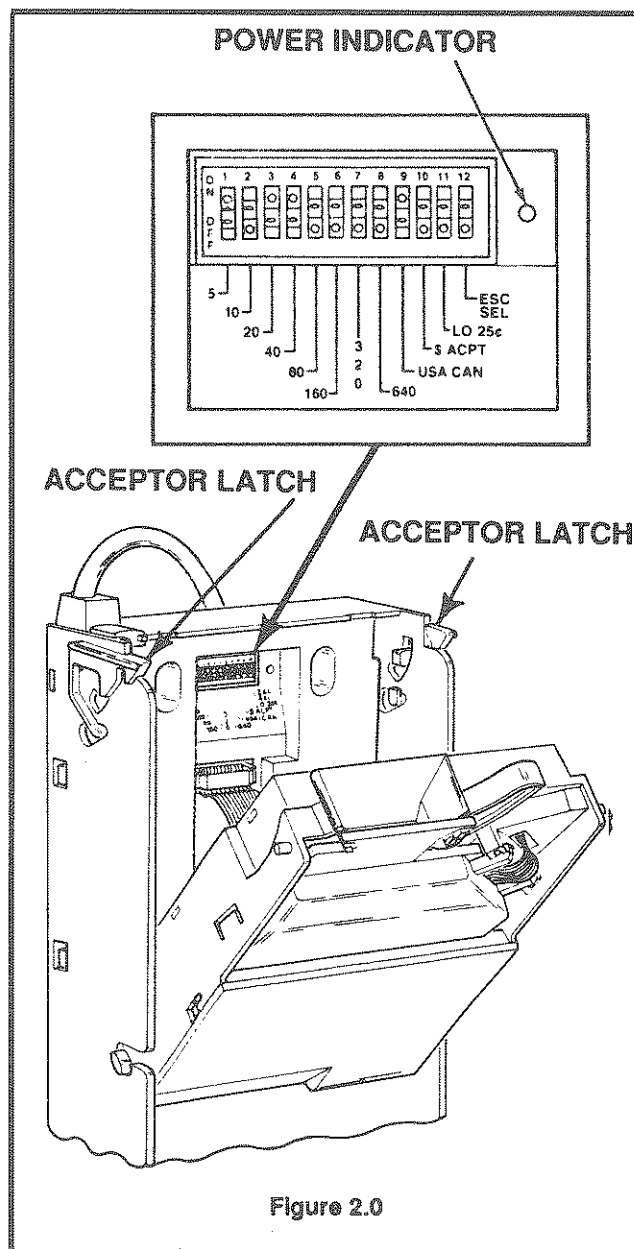


Figure 2.0