

Installation

To install the TRC-6800 changer in a vender, follow the step-by-step instructions provided below. For more detailed instructions, refer to the Installation Guide shipped with the changer.

- Lower the Acceptor Gate Assembly by depressing both spring clips (Fig. 2). Hinge the Acceptor forward.
- Install an Accessory Harness if an accessory will be used. To install the Accessory Harness, disconnect the Acceptor/Control Board 9-position ribbon cable from the back of the Acceptor. Remove the Acceptor by grasping the Coin Cup. Slide the Acceptor up and forward until the Acceptor tabs clear the Housing mounting slots (Fig. 3).

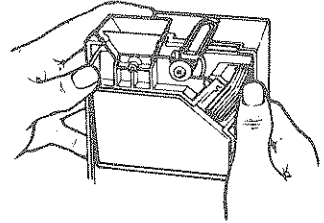


Fig. 2. Lowering the Acceptor Gate Assembly

- ◆ Remove the three Phillips head screws from the backplate. Slip your fingers between the Backplate and the cash box chute. Pry the Backplate up just enough to grasp the bottom of the Control Board. Slide the Backplate down until it clears the tabs at the top of the Housing.

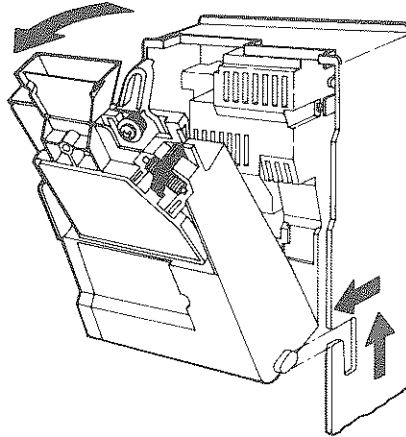


Fig. 3. Removing the Acceptor

- ◆ Remove the Main Harness and its protective tab from the track at the top of the Housing. With the Main Harness free, the Control Board/Backplate can be tilted back from the Housing. This allows access to the accessory headers without disconnecting the four interconnecting harnesses from the base of the Control Board. Seat the Accessory Harness connectors on Control Board accessory headers P2 and P10. Install the black 5-pin connector on P10. Seat the 12-pin connector on P2 (Fig. 4).

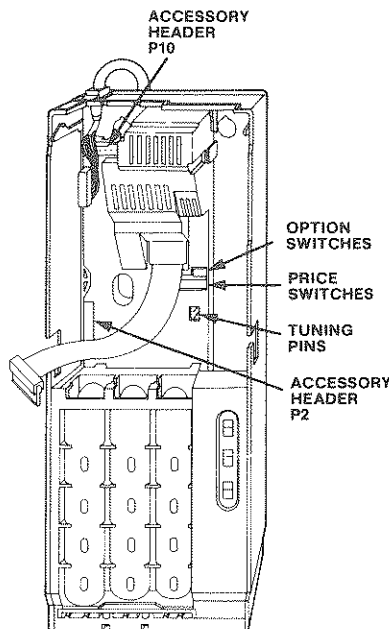


Fig. 4. Connecting the Accessory Harness

- ◆ Slide the harness strain relief, round side down, into the track at the top of the Housing. Seat the Main Harness in the track behind the Accessory Harness (Fig. 5).

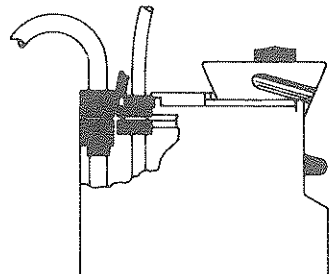


Fig. 5. Seating the Harness Strain Relief

- ◆ Replace the Control Board/Backplate Assembly by sliding it under the tabs at the top of the Housing. Lower the backplate into position. Fasten it with the three Phillips head screws.

Warning

To avoid a possible shock hazard, use care when performing any procedure that involves installing the Control Board/Backplate Assembly. Route the Main Harness, Accessory Harness, and Dispenser Harness wires in such a way that they cannot be pinched between the Backplate and Housing.

- Set the vend price using the 8-position binary price switch, located on the Control Board/Backplate Assembly (Fig. 6). The vend price can range from 5¢ to \$10.00. Use a retracted ballpoint pen or a small screwdriver to move the switches to set the desired price. Do not use a graphite pencil point.
- Set the option switches using a retracted ballpoint pen or a small screwdriver. Do not use a graphite pencil point. The option switches are located on the Control Board/Backplate Assembly (Fig. 6).

Fig. 6. The Price Switch and Option Switch

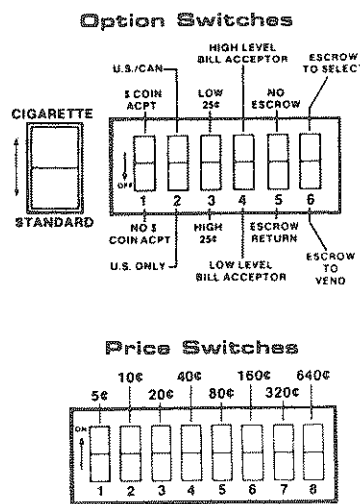
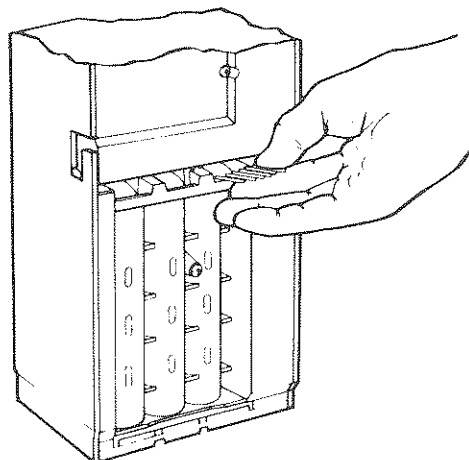


Fig. 7. Filling the Coin Tubes



TRC-6800 changers are switch-programmable for use in standard single price (Escrow to Vend) or cigarette (Escrow to Select) vends. See Table 2 for the switch settings.

- Install the changer in the vender. Adjust the vender mounting screws to stand off a minimum of 1/8". Align the changer access holes in the changer with the mounting screws. Tighten all screws to secure the changer in place. Changer must be vertical to within ±3°.
- Apply power to the changer by connecting the changer power plug to the vender power source. Position or clamp the Main Harness clear of the Coin Cup and Coin Return Lever. Check that the blocker LED is illuminated, indicating that the vender C.R.E.M. circuit is completed and the changer is ready to accept coins.
- Press the Acceptor/Gate Assembly back into the housing until the spring clips engage.
- Fill the coin tubes to the desired levels by inserting coins into the loading slots located on the coin tube front (Fig. 7). Refer to Table 1 for minimum coin tube levels.