

PARTS SECTION

"THE SALES MANAGER" PARTS SECTION

PARTS SECTION

PARTS ORDERING PROCEDURE	A 2
MATERIAL RETURN PROCEDURE	A 2
REFRIGERATION RETURN PROCEDURE	A 2
READING A PARTS LIST	A 3
QUICK REFERENCE WIRING GUIDE	A 4
KIT LIST	A 4
LABELS AND DECALS LIST	A 5
SUGGESTED SPARE PARTS	A 6
FLAVOR LABELS	A 7, A 9
HARDWARE PARTS LIST	A 10
COMMON PARTS	SECTION B
CABINET ASSEMBLY	B 1, B 2
STACK ASSEMBLY	B 3, B 4
VEND MOTOR ASSEMBLY	B 5, B 6
REFRIGERATION ASSEMBLY	B 7, B 8
DR PEPPER DIMENSION III	SECTION C
MAIN DOOR	C 1, C 2
OUTER DOOR	C 3, C 4
SELECTION PANEL	C 5, C 6
ELECTRONICS ASSEMBLY	C 7, C 8
PEPSI PARTS	SECTION D
MAIN DOOR	D 1, D 2
OUTER DOOR	D 3, D 4
SELECTION PANEL	D 5, D 6
ELECTRONICS ASSEMBLY	D 7, D 8
TRADE PARTS	SECTION E
MAIN DOOR - CURVED	E 1, E 2
OUTER DOOR - CURVED	E 3, E 4
SELECTION PANEL	E 5, E 6
ELECTRONICS ASSEMBLY	E 7, E 8
COKE PARTS	SECTION F
MAIN DOOR	F 1, F 2
OUTER DOOR	F 3, F 4
SELECTION PANEL	F 5, F 6
ELECTRONICS ASSEMBLY	F 7, F 8

QUICK THUMB INDEX

SECTION A: PROCEDURES & COMMON LISTS	A
SECTION B: COMMON	B
SECTION C: DR PEPPER	C
SECTION D: PEPSI	D
SECTION E: TRADE	E
SECTION F: COKE	F

PARTS ORDERING PROCEDURES

WHEN ORDERING PARTS, INCLUDE THE FOLLOWING INFORMATION:

1. Shipping address
2. Address where the invoice should be sent
3. The part number or part identification
 - a. Always refer to the pertinent parts and service manual(s) for the correct part number and part description. If you do not have the correct parts manual at the time of your order, contact THE VENDO COMPANY, 7209 NORTH INGRAM AVENUE, FRESNO, CALIFORNIA 93650 or call (800) 344-7216 for our Parts Department.
 - b. Do not hold the order pending receipt of the parts manual. Use as complete a description as you can. Include the model and serial numbers of the machine, name of the assembly in which the part is used and, if practical, a sample part. Also, furnish any further information that will enable our parts department to pinpoint the exact part needed.
4. The quantity of parts required
5. Always include on the order, the model number and the serial number of the vendor for which the parts are needed.
6. List any special shipping instructions.
 - a. Always note on the order if you require United Parcel Service (UPS), Air, Air Special, Truck, or Federal Express Shipping. Normal mode of shipping from Vendo is UPS Ground.
 - b. If a specific carrier is desired, also note that on the order
 - c. Freight charges will be added to the parts invoice unless otherwise arranged
7. Sign and date the order. Keep a copy for your records
8. When a purchase order is used, be sure that it is clear and legible
9. Mail your order to: THE VENDO COMPANY, 7209 NORTH INGRAM AVENUE, FRESNO, CALIFORNIA 93650, or for faster service, FAX YOUR ORDER TOLL FREE to: 1-800-541-5684, or locally to: 209-439-2083
10. All orders are carefully packed and inspected prior to shipment. Report any packing list discrepancies to the parts department within five (5) days of the receipt of your order. Damage incurred during shipping should be reported at once, and a claim filed with the carrier. Any concealed or outward damage, even if it appears to be caused by our packing, must be filed with the carrier.

NOTE: When "right" and "left" are used in connection with the name of a part, it is taken to mean that the person is facing the vendor with ALL doors closed.

MATERIAL RETURN PROCEDURE

When returning any spare parts or accessory items, prior authorization is necessary. To obtain authorization, call our parts department and have the invoice or order number, and all applicable part numbers available. All authorized returns must be accompanied by Material Return Tags (P/N L1496) clearly stating the reason for the return. Tags are available from our parts department upon request. The model number and serial number must be included, if the return is from an in-warranty vendor. To replace an inoperative part, please use the following procedure:

1. If a spare part was taken from your available parts stock and used to replace an inoperative part:
 - a. complete the return tag, making sure to fill in ALL requested information.
 - b. Keep the top (white) copy for your records
 - c. Attach the tag to the inoperative part, and send it via the cheapest method of transportation (usually UPS ground service) to: THE VENDO COMPANY, 4015 EAST RAINES ROAD, MEMPHIS, TENNESSEE 38118
 - d. A like part will be shipped:
 - 1) At no charge, if our inspection shows that the inoperative part became defective within the warranty period--the model number and serial number of the vendor must be included with the returned part
 - 2) And invoiced, if the inoperative part does not meet the terms of the warranty
- NOTE: The returned part will be scrapped to eliminate any further handling charges.
2. If a spare part is not available from your stock:
 - a. Order a replacement part using the parts ordering procedure. The part will be shipped and invoiced to you.
 - b. After the part is received, follow the procedure outlined above in step 1. Be sure to check the box marked "credit" and fill in the invoice number covering the part on the material return tag.
 - c. If our inspection shows that the inoperative part was defective within warranty, a credit will be issued to cancel the invoice on which the replacement part was shipped. This credit will include any prepaid transportation charges.
 - 1) To receive credit, the inoperative part must be returned within 30 days from the date the replacement was shipped.
 - 2) Vendo does not issue cash credit for the return of any part or accessory.

REFRIGERATION RETURN PROCEDURE

Refrigeration units require a separate Refrigeration Return Tag (P/N L1322) for each unit returned. The procedure is the same as that for the material return, except the white (top) copy is attached to the unit, and you keep the copy for your records. All refrigeration units are to be returned to THE VENDO COMPANY, 4015 EAST RAINES ROAD, MEMPHIS, TENNESSEE 38118. The return tag must be filled out in its entirety. Refrigeration units should also be shipped via the cheapest method of transportation (usually UPS ground service).

READING A PARTS LIST

- I. **ITEM NUMBER** is found in two locations:
 - A. It is on the drawing plate, and identifies the part and its location;
 - B. The same number is in the parts list and ties the two together.
- II. **PART NUMBER** is the part number that has been assigned to a specific part by Vendo, for easier identification.
- III. **QUANTITY REQUIRED** relates to the amount required of a part, or will be indicated by "A/R" as required to attach it to another part
- IV. **PART NAME AND DESCRIPTION** is the general description for the part, for easier identification when ordering a like part.

The examples below will show how the parts are listed in the parts lists:

1. **VEND MOTOR ASSEMBLY:** This is the main assembly named, and any replaceable parts will be indented below the assembly.
2. **PRODUCT FLAP:** This is an individual part, and will be indented. These indented parts can be ordered separately, so you do not need to order the entire assembly.
3. Whenever an assembly is ordered, all the parts that are indented will be included in the assembly. Any hardware will be listed next to their corresponding parts.
4. Any parts that may be ordered separately will not have any indented parts listed below them.

THE SALES MANAGER VEND MOTOR ASSEMBLY

ITEM NUMBER	PART No.	QTY REQ'D	DESCRIPTION	ITEM LETTER
1	1001655-1	~	Vend Motor Assembly	
2	1000578	4	Product Flap	
3	1000586	1	Cam Shaft	
4	1000594	1	Vend Housing 1046624 M	
5	1000608	2	Sold-out Switch 1002708 M	
6	1000624	1	Gear Motor	

If an asterisk is listed below the parts list, it is an indication that special information is noted. There may be more than one (*) (**) (***) asterisk denoting special notes.

THE SALES MANAGER QUICK REFERENCE WIRING GUIDE

MODELS	NO. SEL.	NO. COL.	SELECTION HARNESS	DOOR HARNESS	MECH HARNESS	DISPLAY HARNESS	COINAGE HARNESS	WRING DIAGRAM	LIGHT HARNESS
COKE LANDSCAPE			1092135	NLA	NLA				
TSM 79	9	14	1001094	1001019	1000993	1001043	1006908	1001396	134839
TSM 72	9	14	1001094	1001019	1000993	1001043	1006908	1001396	134839-1
PEPSI MAGNUM				NLA	NLA				
TSM 79	10	14	1012312	1001019	1000993	1001043	1006908	1001396	134839
TSM 72	10	14	1012312	1001019	1000993	1001043	1006908	1001396	134839
DR PEPPER - DIMENSION III				NLA	NLA				
TSM 79	10	14	1012312	1001019	1000993	1001043	1006908	1001396	134839-1
TSM 72	10	14	1012312	1001019	1000993	1001043	1006908	1001396	134839-1
TRADE - CURVE FACE				NLA	NLA				
TSM 79	10	14	1012312	1001019	1000993	1001043	1006908	1001396	134839
TSM 72	10	14	1012312	1001019	1000993	1001043	1006908	1001396	134839

THE SALES MANAGER KIT LIST

DESCRIPTION	KIT NUMBER
CASTER KIT	133513
CASTER KIT W/BRAKE	133513-1
INNER - OUTER DOOR LOCK	1019635 10875
COIN BOX LOCK - PEPSI, COKE, TRADE, & DR PEPPER DIM III	133450 108775
COIN INSERT COVER PLATE KIT - COKE LANDSCAPE	134304 NLA
COIN INSERT COVER PLATE KIT - PEPSI & TRADE	134395 ck Parts
LOCK STUD COVER KIT	134401
LOCK COVER KIT (SLANTED)	134547 1087902
HONOR GARD ADAPTER KIT(SMALL) - PEPSI, COKE, TRADE, DR PEPPER DIM III	133457 OBS
HONOR GARD HOUSING KIT (SECURITY BOX)	133556 OBS
HONOR GARD(WIDE MOUTH)/GLENVIEW KIT - ALL EXCEPT DR PEPPER	133658
VENDOR ANCHOR BRACKETS - BLACK	133666
VENDOR ANCHOR BRACKETS - RED	133666-1
VEND DOOR BUMPER KIT	134397 ck Parts
WATER SHIELD KIT - COIN CHANGER	134414
BILL VALIDATOR ADAPTER KIT (HEX NUTS)	133585
CONVENTIONAL LIGHT TO HIGH OUTPUT - PEPSI & TRADE	134308-32
HIGH OUTPUT LIGHT TO CONVENTIONAL - COKE	134308-33
SINGLE PRICE COINAGE KIT	1009354 OBS
BILL VALIDATOR HARNESS VEC 5/6 - UNIVERSAL	1002058 ck Parts 1013467
DEX/UCS KIT VEC 5/6 HARNESS	1013203

THE SALES MANAGER LABELS AND DECALS

DESCRIPTION	USER MODELS	PART NO.
PATENT & WARNING LABEL VEC 6	ALL	1028758
CODE LABEL	ALL	389149
COIN INSERT INSTRUCTION LABEL	COKE	388327
COIN INSERT INSTRUCTION LABEL	COKE C/E	388327-1
COIN INSERT INSTRUCTION LABEL	COKE C/F	388327-2
COIN INSERT INSTRUCTION LABEL	ALL OTHERS	388389
PRICE LABEL - 16 PER SHEET	ALL	1001434
FLAVOR LABELS - SEE PAGES A7 - A9	ALL	~
WIRING DIAGRAM LABEL	ALL	1001396
QUICK-LOCK WARNING LABEL	ALL	389220
1/3 H.P. REFRIGERATION WIRING LABEL	ALL	1005669 OBS
REFRIGERATION PARTS LABEL	ALL	389233
RESET LABEL	ALL	1028723
ELECTRIC WARNING LABEL	ALL	1028731 OBS
POWER OFF CAUTION LABEL	ALL	387890
LIGHT WIRING DIAGRAM (110 VAC)	DOMESTIC & CANADA	389880
TRANSFORMER CAUTION LABEL	ALL	390192
COINAGE/DBV WARNING LABEL	ALL	1028731 OBS
NO WATER + MODE SWITCH	ALL	1028715
MODE SET-UP INSTRUCTION VEC 6	ALL	1028219
VEC 5/6 UNIVERSAL DBV HARNESS	ALL	1002058
LABEL DISPLAY - ELECTRONIC	ALL	1001507
COLUMN NUMBER LABELS VEC 6	ALL	1028944
SAFETY LABEL	ALL	389611

1070694
OBS
OBS
1067805M

THE SALES MANAGER SIDE DECALS

DESCRIPTION	MODEL NUMBERS →	
	TSM 72 PART NO.	TSM 79 PART NO.
COKE DOMESTIC	389188-3	389188-6
DIET COKE DOMESTIC	388448-1	388448-2
PEPSI	1009958-2	1009958-3
DIET PEPSI	1009966-2	1009966-3
DR PEPPER	1004182-1	1004182
DIET DR PEPPER	1004484-1	1004484

THE SALES MANAGER SUGGESTED SPARE PARTS

PART NAME AND DESCRIPTION	NO. REQ.	COKE	PEPSI	DR PEPPER	TRADE
		PART NO.	PART NO.	PART NO.	PART NO.
OUTER DOOR					
COINAGE DOOR LATCH	1	389612	389612	389612	389612
SELECTION BUTTON ASSEMBLY	1	~	~	~	134827
SELECTION BUTTON PEPSI	1	~	387246 959	~	~
SELECTION SWITCH	1	388287	337576	368299	368299
SELECTION BUTTON HOUSING	1	388388	~	388829	1006932
SELECTION BUTTON ONLY	1	388250	~	388845	1008919
SELECTION BUTTON SPRING	1	~	~	388858	388858
LAMP BALLAST	1	388405	388259	388405	388259
FLUORESCENT LAMP (TSM 79)	1	388408	388320	388408	388320
FLUORESCENT LAMP (TSM 72)	1	388408-1	388320-1	388408-1	388320-1
LAMP HOLDER FIXED	1	388406	388261	388406	388261
LAMP HOLDER PLUNGER	1	388407	388260	388407	388260
STACK PARTS					
MOTOR - 24 VDC	1	1000624	1000624	1000624	1000624
SOLD OUT SWITCH	6	1000608	1000608	1000608	1000608
VEND HOUSING	1	1000594	1000594	1000594	1000594
CAM SHAFT	1	1000586	1000586	1000586	1000586
ELECTRONICS PARTS					
ELECTRONIC CONTROL BOARD	1	1001027 K	1001027 K	1001027K	1001027K
ELECTRONIC DISPLAY	1	1001035	1001035	1001035	1001035
TRANSFORMER - 24 VDC	1	1017861	1017861	1017861	1017861
REFRIGERATION PARTS					
1/3 HP START RELAY	1	333894-15	333894-15	333894-15	333894-15
1/3 HP OVERLOAD PROTECTOR	1	45052-27	45052-27	45052-27	45052-27
TEMPERATURE CONTROL	1	368794-4700	368794-4700	368794-4700	368794-4700
1/3 HP EVAPORATOR FAN MOTOR	1	42321-17	42321-17	42321-17	42321-17
1/3 HP CONDENSOR FAN MOTOR	1	42321-36	42321-36	42321-36	42321-36

1085546

1114775

1002703M
1044624M

1127053

COKE DESIGNATED FLAVOR LABELS

COKE
SELECTION WINDOW LABELS
(1.37 X 3.36)

DR PEPPER DIMENSION III
WINDOW LABELS
(1.42 X 3.35)

COKE CLASSIC	388628	COKE	388872-18
COKE	388628-1	SPRITE	388872-19
DIET COKE	388628-2	DIET COKE	388872-20
CAFFEINE FREE COKE	388628-3	COKE CLASSIC	388872-22
CHERRY COKE	388628-4		
TAB	388628-5		
SPRITE	388628-6		
MINUTE MAID ORANGE SODA	388628-7		
DIET SPRITE	388628-12		
DIET CHERRY COKE	388628-13		
FRESCA	388628-14		
CAFFEINE FREE DIET COKE	388628-16		
CAFFEINE FREE TAB	388628-17		
MELLO YELLO	388628-19		
MR. PIBB	388628-20		
SUGAR FREE MR. PIBB	388628-21		
FANTA ORANGE SODA	388628-22		
FANTA GINGER ALE	388628-23		
FANTA ICE TEA	388628-24		
DIET MINUTE MAID ORANGE SODA	388628-25		
FANTA GRAPE SODA	388628-26		
FANTA ROOT BEER	388628-27		
MINUTE MAID LEMON LIME SODA	388628-28		
DIET MINUTE MAID LEMON LIME SODA	388628-29		
FANTA RED CREAM SODA	388628-30		
FANTA STRAWBERRY SODA	388628-31		
COCA-COLA	388628-85		
DIET COCA-COLA	388628-86		

PEPSI DESIGNATED FLAVOR LABELS

PEPSI MAGNUM BUTTON LABELS (1.50 X 3.31)

PEPSI	388720
MOUNTAIN DEW	388720-2
TEEM	388720-6
GRAPE	388720-7
ORANGE	388720-8
ROOT BEER	388720-9
STRAWBERRY	388720-39
SLICE LEMON/LIME	388720-56
DIET SLICE LEMON/LIME	388720-57
DIET PEPSI ONE CALORIE	388720-58
WLD CHERRY PEPSI	388720-79
CHERRY COLA SLICE	388720-82
MANDARIN ORANGE SLICE	388720-83
DIET MANDARIN ORANGE SLICE	388720-84
DIET CHERRY COLA SLICE	388720-85
APPLE SLICE	388720-86
DIET APPLE SLICE	388720-87
DIET MOUNTAIN DEW	388720-93
DIET WILD CHERRY PEPSI	388720-124
CAFFEINE FREE PEPSI	388720-125
CAFFEINE FREE DIET PEPSI	388720-126

TRADE STYLE MINI-BUTTON LABELS (1.37 X 3.36)

MOUNTAIN DEW	388628-110
PEPSI	388628-111
DIET PEPSI	388628-112
CAFFEINE FREE PEPSI	388628-114
CAFFEINE FREE DIET PEPSI	388628-115

DR PEPPER DIMENSION III WINDOW LABELS (1.42 X 3.35)

PEPSI	388872-21
DIET PEPSI	388872-27
MOUNTAIN DEW	388872-28
DIET MOUNTAIN DEW	388872-29
SLICE LEMON/LIME	388872-31
DIET SLICE LEMON/LIME	388872-32
CAFFEINE FREE PEPSI	388872-36
CAFFEINE FREE DIET PEPSI	388872-37

DR PEPPER DESIGNATED FLAVOR LABELS

DR PEPPER DIMENSION III
WINDOW LABELS
(1.42 X 3.35)

DR PEPPER	388872
DIET DR PEPPER	388872-1
CAFFEINE FREE DR PEPPER	388872-2
CAFFEINE FREE DIET DR PEPPER	388872-3
SEVEN UP	388872-4
SQUIRT	388872-9
DIET SQUIRT	388872-10

TRADE STYLE
MINI-BUTTON LABELS
(1.37 X 3.36)

SEVEN UP	388628-41
DR PEPPER	388628-42
SQUIRT	388628-45
DIET SQUIRT	388628-46
DIET SEVEN UP	388628-55
CHERRY SEVEN UP	388628-56
DIET CHERRY SEVEN UP	388628-57
DIET DR PEPPER	388628-113

TRADE DESIGNATED FLAVOR LABELS

TRADE STYLE MINI-BUTTON LABELS
(1.37 X 3.36)

BARQ'S ROOT BEER	388628-43	HAWAIIAN PUNCH	388628-72
HIRES ROOT BEER	388628-44	LIPTON TEA	388628-73
ORANGE CRUSH 10%	388628-49	CREAM SODA	388628-76
GRAPE CRUSH 10%	388628-50	CANADA DRY GINGER ALE	388628-79
STRAWBERRY CRUSH 10%	388628-51	STRAWBERRY	388628-80
CHERRY CRUSH 10%	388628-52	FROSTY ROOT BEER	388628-82
PINEAPPLE CRUSH 10%	388628-53	NUGRAPE	388628-84
SUNKIST	388628-58	ROOT BEER	388628-93
WELCH GRAPE	388628-60	BLANK	388628-94
WELCH STRAWBERRY	388628-61		
A & W ROOT BEER	388628-62		
BIG RED	388628-64		
FIVE ALIVE	388628-65		
SCHWEPPE'S CLUB SODA	388628-66		
SCHWEPPE'S TONIC WATER	388628-67		
SCHWEPPE'S GINGER ALE	388628-68		

THE SALES MANAGER HARDWARE		
ITEM LETTER	PART NO.	DESCRIPTION
A	V384341	PAN HEAD TAPPING SCREW 4-40 X 1 1/8
B	V328761	T-BOLT 10-32 X 13/32
C	V800570	TRUSS HEAD TAPPING SCREW 10-16 X 3/8
D	V800641	PAN HEAD TAPPING SCREW 10-16 X 1/2
E	V800762	PAN HEAD TAPPING SCREW 8-32 X 5/16
F	V800885	LOCK NUT 5/16-18
G	V800952	NUT AND LOCK WASHER ASSY. 10-32
H	V800953	NUT AND LOCK WASHER ASSY. 1/4-28
I	V800956	NUT AND LOCK WASHER ASSY. 8-32
J	V800959	NUT AND LOCK WASHER ASSY. 1/4-20
K	V801013	PLAIN WASHER #10
L	V801016	PLAIN WASHER 1/4
M	V801368	SPRING NUT
N	V801412	RIVET 1/8 DIA, X .232 LONG
O	V801421	WASHER HD. TAPPING SCREW 10-16 X 5/16
P	V801422	WASHER HD. TAPPING SCREW 10-32 X 1/2
Q	V801434	ROUND HD. SQ. NECK BOLT 1/4-20 X 3/4
R	V801471	RIVET 1/8 DIA. X .419 LONG
S	V801473	WASHER HD. TAPPING SCREW 8-18 X 1 3/4
T	V801474	WASHER HD. TAPPING SCREW 8-18 X 7/8
U	V801475	WASHER HD. TAPPING SCREW 8-18 X 1/2
V	V801479	HAIRPIN COTTER 1 7/16 LG.
W	V801478	WASHER HD. TAPPING SCREW 4-24 X 1
X	V801480	WASHER HD. SCREW 10-16 X 5/8
Y	V801482	PLAIN WASHER #8
Z	V801483	WASHER HD. TAPPING SCREW 8-18 X 1
AA	V801484	PAN HEAD SCREW 1/4-10 X 1
BB	V801488	RIVET 1/4 DIA.
CC	V801489	WASHER HD. SELF DRILL SCREW 10-16 X 1/2
DD	V801490	WASHER HD. TAPPING SCREW 1/4-14 X 1
EE	V801491	PLAIN WASHER 3/8
FF	V801493	SCREW PAN HEAD SELF TAPPING 8-10 X 1/2
GG	V802053	CAP SCREW 1/4-20 X 2 1/4
HH	V802054	LOCK NUT 1/4-20
II	V801360	WASHER HD. TAPPING SCREW 1/4-20 X 1/2
JJ	V800586	WASHER HD. TAPPING SCREW 8-18 X 7/16
KK	V800267	MACHINE SCREW 1/4-20 X 3/8
LL	V800512	PAN HEAD TAPPING SCREW 10-16 X 1 3/8
MM	V800745	PAN HEAD TAPPING SCREW 4-40 X 5/8
NN	V801498	PLAIN WASHER 1/4
OO	V802045	HEX STANDOFF NUT 8-32 X 1/2
PP	V801455	WASHER HEAD TAPPING SCREW #8
QQ	V800496	PAN HEAD TAPPING SCREW 8-18 X 5/16
RR	V800024	PAN HEAD MACHINE SCREW 4-40 X 3/8
SS	V801329	PAN HEAD TAPPING SCREW 6-20 X 3/8
TT	V801449	HEX NUT 3/8-32
UU	V800891	HEX NUT 6-32
VV	V802005	CARRIAGE BOLT 10-24 X 3/4
WW	V800957	HEX NUT 8-32
XX	V801023	WASHER 1/2
AB	V802008	SCREW PAN HD 6-32 X 1/4
AC	V801428	SCREW PAN HD TAPPING 4-40 X 1/4
AD	V801450	SCREW PAN HD TAPPING 8-32 X 3/8

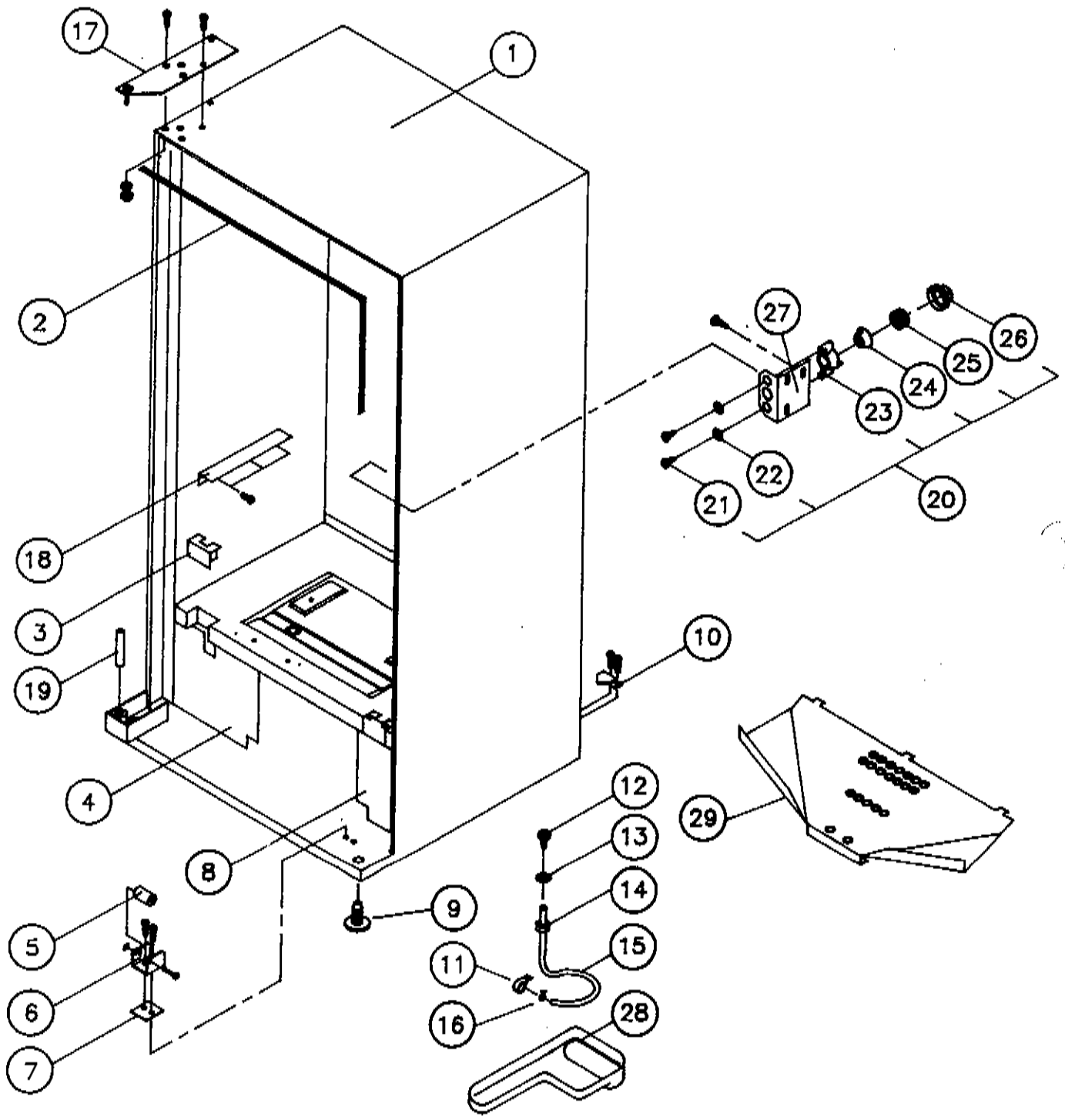
B

“THE SALES MANAGER”

COMMON

PARTS SECTION

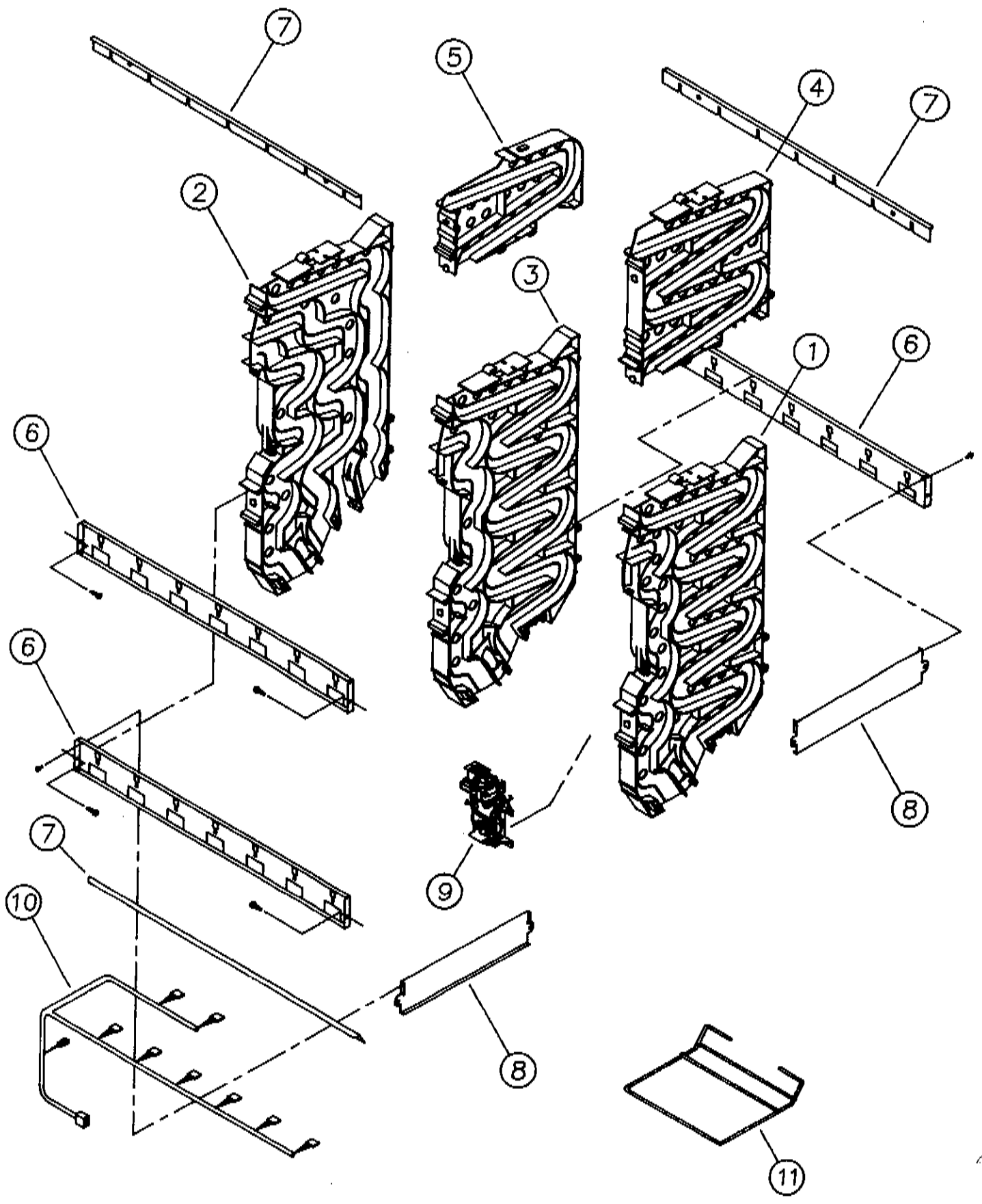
1002147 B



THE SALES MANAGER CABINET ASSEMBLY

ITEM NO.	MODEL NUMBERS		TSM 72	TSM 79	ITEM LETTER
	PART NAME & DESCRIPTION	NO.REQ.	PART NO.	PART NO.	
1	CABINET (FOAM) ASSEMBLY - BLACK	1	134943-50	- - - -	
-	CABINET (FOAM) ASSEMBLY - BLACK	1	- - - -	134943-51	NLA
-	CABINET (FOAM) ASSEMBLY - RED	1	134943-52	- - - -	
-	CABINET (FOAM) ASSEMBLY - RED	1	- - - -	134943-53	NLA
2	RAIN GASKET	1	389463	389463	
3	CLOSURE CAP	2	388143	388143	CC
4	AIR DAM - LEFT	1	388403-1	388403-1	CC
5	DOOR ROLLER	1	368656	368656	GG,HH
6	BRACKET - DOOR ROLLER	1	388096	388096	II
7	SHIM - DOOR ROLLER BRACKET	AR	388097	388097	
8	AIR DAM - RIGHT	1	388917	388917	CC
9	LEVELING LEG	4	389788	389788	
10	BRACKET - REFRIG. MOUNT	2	388387	388387	II
11	STRAP - ADJUSTABLE - TUBING	1	342621	342621	
12	DRAIN PIPE	1	388245	388245	
13	SEAL WASHER	1	387837	387837	
14	NUT - DRAIN TUBE	1	387925	387925	
15	DRAIN HOSE	1	340081	340081	
16	CLIP - DRAIN HOSE TO PAN	1	321304	321304	
17	TOP HINGE WELD ASSEMBLY	1	134478	134478	P, CC
18	STACK SUPPORT	2	1000535	1000535	DD
19	HINGE PIN	1	389071	389071	
20	QUICK LOCK ASSEMBLY (LESS BRACKET)	1	134560	134560	
21	SCREW - TAPPING	2	V801474	V801474	OB
22	FLAT WASHER	2	389026	389026	
23	RETAINER - NUT SEGMENTS	1	389022	389022	1123689
24	NUT SEGMENT	3	389023	389023	
25	SPRING	1	389690	389690	
26	CAP	1	389689	389689	
27	LATCH BRACKET	1	1027115	1027115	DD
28	CONDENSATE PAN	1	339840	339840	
29	DELIVERY CHUTE	1	1000322	1000322	CC
			1064171	1064171	

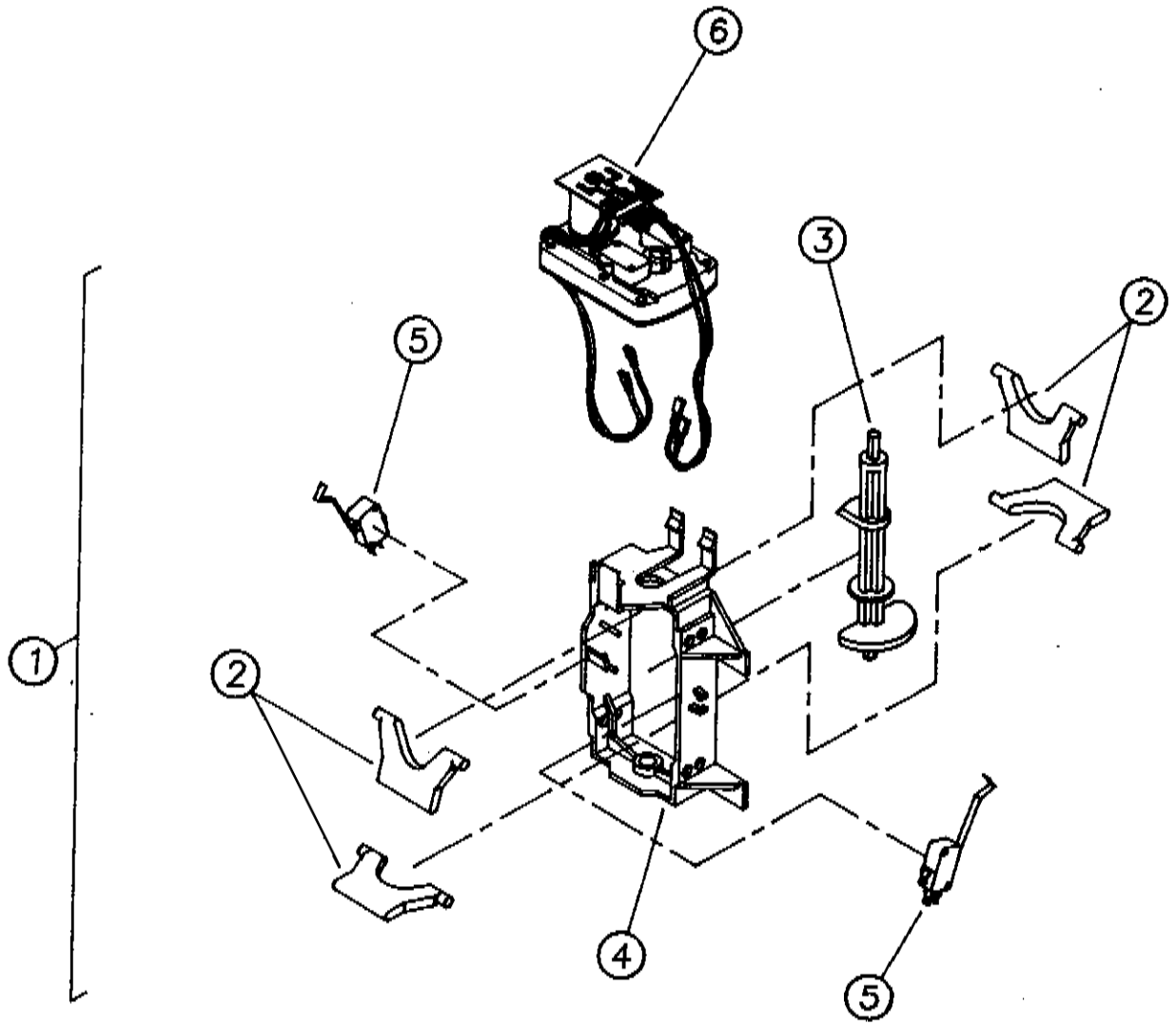
NOTE: ITEM LETTER "HARDWARE" LISTED ON PAGE A-10



THE SALES MANAGER STACK ASSEMBLY

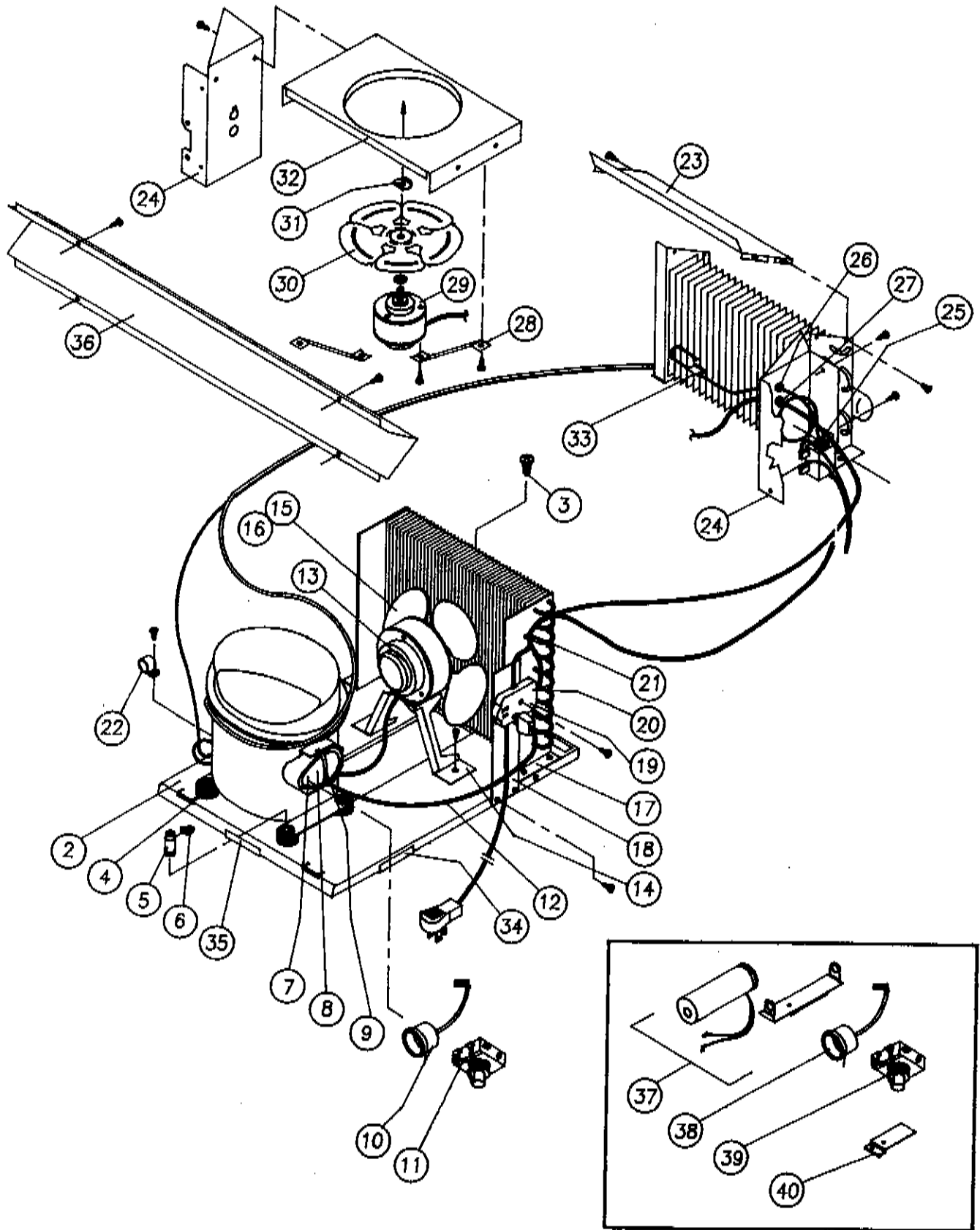
ITEM NO.	MODEL NUMBER →		TSM 72	TSM 79	ITEM LETTER
	PART NAME & DESCRIPTION	NO. REQ.	PART NO.	PART NO.	
1	PARTITION - LOWER 2D	4	1000764	1000764	
~	PARTITION - LOWER 2D (DR PEPPER)	3	1000764	1000764	
~	PARTITION - LOWER 2D (DR PEPPER)	1	1002139	1002139	
2	PARTITION - LOWER 3D	2	1000799	1000799	
3	PARTITION - LOWER 2D/3D	1	1000802 NLA	1000802	
4	PARTITION - UPPER 79"	7	~	1001744	
5	PARTITION - UPPER 72"	7	1000632	~	
6	FRONT STRAP	3	1000497	1000497	DD
7	CROSS STRAP	3	1000519	~	
~	CROSS STRAP	4	~	1000519	
8	SUPPORT BRACKET	2	1000489 NLA	1000489	CC
9	VEND MOTOR ASSY. - SEE PAGE B-6	8	~	~	
10	VEND MECH. HARNESS	1	1000993 NLA	1000993	
11	LOADING RACK	1	1001515	1001515	
THE FOLLOWING ITEMS ARE NOT SHOWN:					
12	PLASTIC CLAMP - MECH. HARNESS	1	384692	384692	
13	MOTOR COVER - REAR	1	1001787	1001787	
14	MOTOR COVER - FRONT	1	1001787-1	1001787-1	

NOTE: ITEM LETTER "HARDWARE" LISTED ON PAGE A-10



THE SALES MANAGER VEND MOTOR ASSEMBLY

ITEM NO.	PART NAME & DESCRIPTION	NO. REQ.	PART NO.	ITEM LETTER
1	VEND MOTOR ASSEMBLY	~	1001655-1	
2	PRODUCT FLAP	4	1000578	
3	CAM SHAFT	1	1000586	
4	VEND HOUSING	1	1000594	104662 4M
5	SOLD OUT SWITCH	2	1000608	1002708 m
6	GEAR MOTOR	1	1000624	



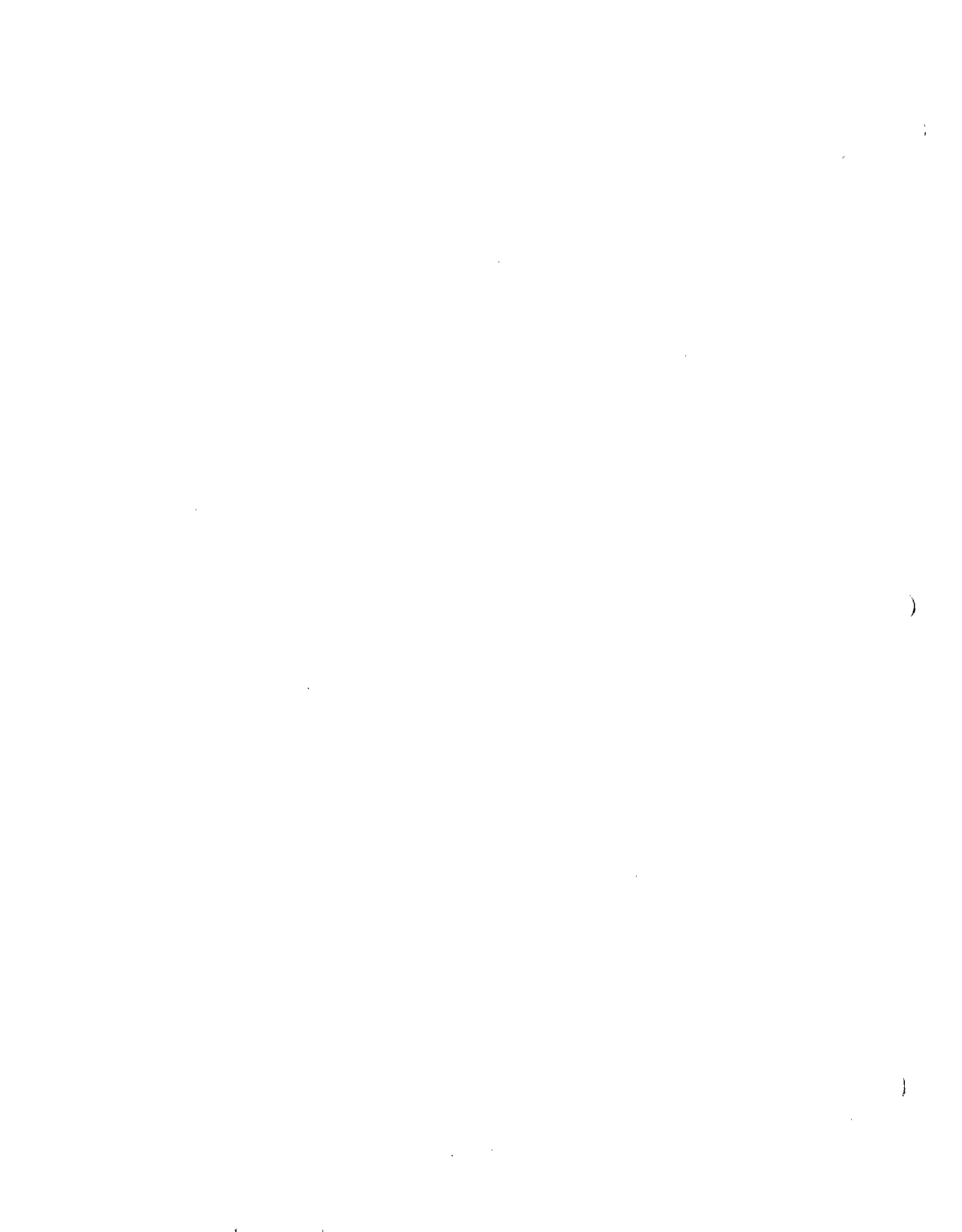
112588
H2347
H2347
9
THE SALES MANAGER REFRIGERATION ASSEMBLY

ITEM NO.	PART NO. 1/3 HP	QTY. REQ.	DESCRIPTION	ITEM LETTER
1	133397	1	V83 REPLACEMENT REFRIGERATION ASSEMBLY	
2	1006703	1	BASE - REFRIG. SYSTEM	
3	V384174-1	1	SCREW - REFRIG. SYSTEM HOLD-DOWN	
4	323090-1	4	GROMMET - COMPRESSOR MOUNT	
5	390102	2	STUD - COMPRESSOR MOUNT	
6	343874	2	CLIP - COMPRESSOR MOUNT	
7	344305	1	SPRING OVERLOAD (NOT SHOWN)	
8	344308	1	COVER	
9	344306	1	BAIL STRAP - COVER	
10	45052-48	1	OVERLOAD PROTECTOR	
11	333894-26	1	START RELAY	
12	344105	1	COMPRESSOR CORD	
13	42321-36	1	FAN MOTOR - CONDENSER	JJ
14	389797	1	BRACKET - CONDENSER FAN	
15	320766	1	FAN BLADE - CONDENSER FAN	II
16	V42323	1	RETAINER - FAN BLADE	
17	916923	2	TINNERMAN - CONDENSER MOUNT	
18	390366	1	BRACKET - SERVICE CORD	KK
19	133565	1	SERVICE CORD	CC
20	V800892	2	BRASS NUT - SERVICE CORD	LL
21	384692-3	1	CLAMP - WIRE ROUTING	
22	324099-3	1	CLAMP - DRIER	
23	1000292	1	TOP COVER - EVAPORATOR	CC
24	1000306	2	SIDE EXTENSION - EVAPORATOR (L & R)	CC
25	368794-901	1	TEMPERATURE CONTROL	CC
26	389747	1	BUSHING - TEMP. CONTROL PROBE	CC
27	327699-2	1	BUSHING - EVAP. FAN WIRING	
28	1004204	3	EVAP. FAN MOTOR BRACKET	
29	42321-17	1	EVAP. FAN MOTOR	CC
30	1001272	1	EVAP. FAN BLADE (5 BLADE)	JJ
31	V42323	1	RETAINER - FAN BLADE	
32	390228	1	ORIFICE PLATE - EVAP. FAN	
33	914161	1	CLIP - TEMP. CONTROL PROBE	CC
34	388304-1	2	EDGE TRIM - REFRIG. SYSTEM BASE (SHORT)	
35	388304	1	EDGE TRIM - REFRIG. SYSTEM BASE (LONG)	
36	1000314	1	AIR / PRODUCT DEFLECTOR	CC

REFRIGERATION ASSEMBLY WITH CAPACITOR START

ITEM NO.	PART NO.	QTY. REQ.	DESCRIPTION
37	1027344	1	START CAPACITOR W/BRACKET
38	1027387	1	OVERLOAD
39	1027352	1	RELAY
40	1027379	1	CAPACITOR MOUNTING BRACKET

NOTE: ITEM LETTER "HARDWARE" LISTED ON PAGE A-10

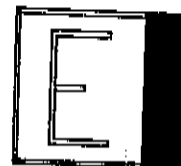


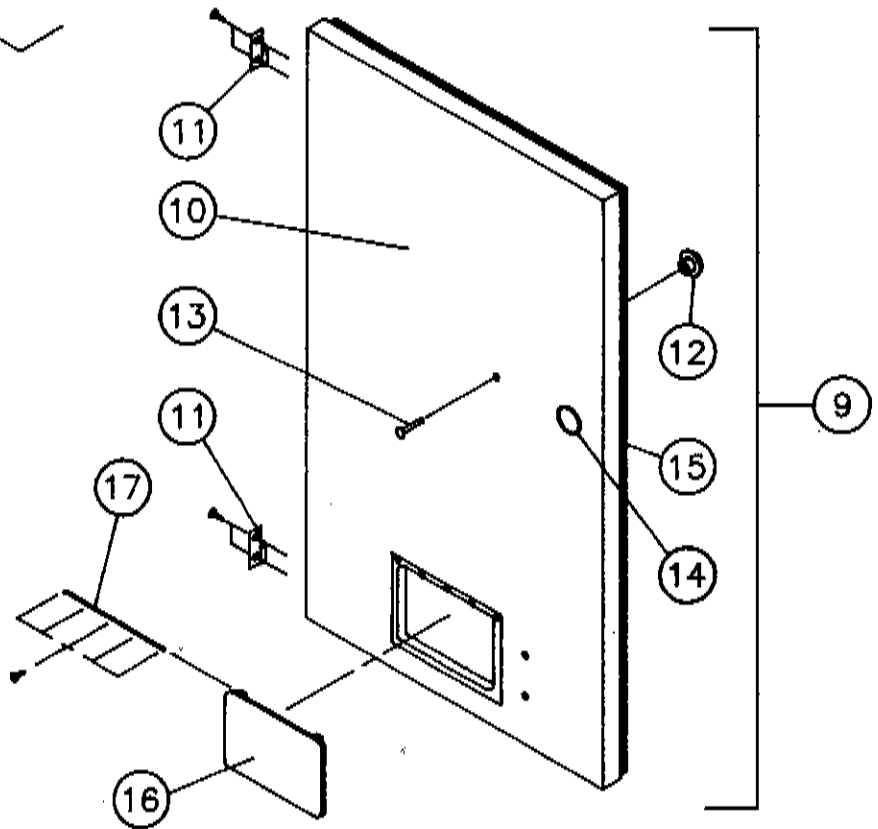
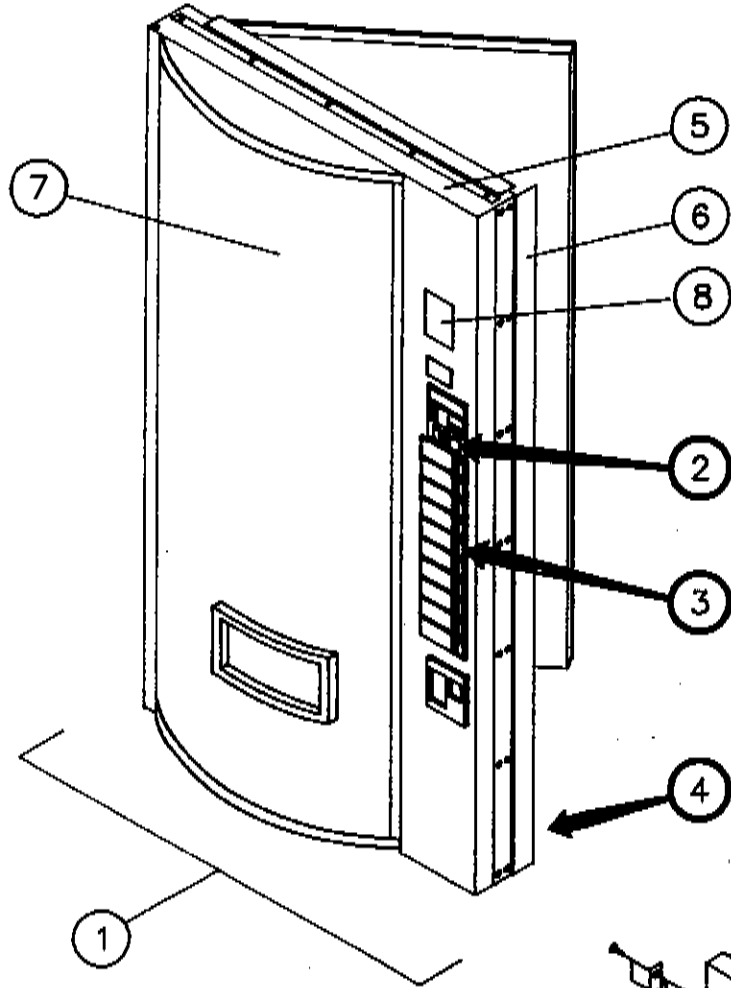
“THE SALES MANAGER”

TRADE

PARTS SECTION

1002147 E



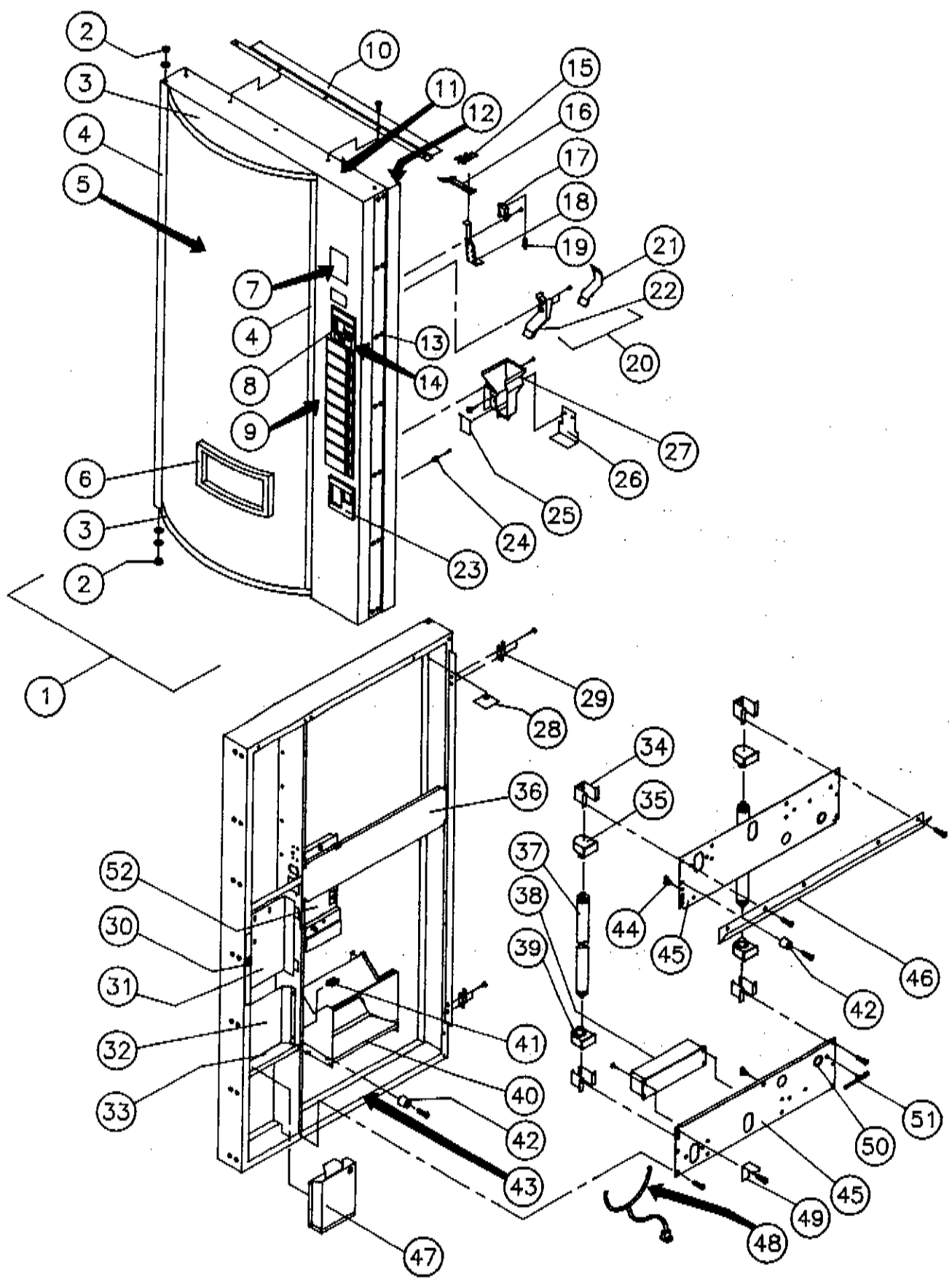


THE SALES MANAGER TRADE MAIN DOOR
W/MINI-TRADE BUTTONS

ITEM NO.	PART NAME & DESCRIPTION	MODEL NUMBER	TSM 72	TSM 79	ITEM LETTER
		REQ.	PART NO.	PART NO.	
1 *	OUTER DOOR - BLACK	1	134494-45	134494-46	NLA
~	OUTER DOOR - BROWN	1	134494-47	134494-48	NLA
~	OUTER DOOR - WHITE	1	134494-49	134494-50	NLA
2	"T" HANDLE ASSY (SEE PG. E-6)	1	~	~	
3	SELECTION PANEL (SEE PG. E-6)	1	~	~	
4	DOOR HARNESS (SEE PG. A-4)	1	133394	133394	
5 *	DOOR FRAME WELD - BLACK	1	134709-7	134709-6	
~	DOOR FRAME WELD - BROWN	1	134709-16	134709-15	NLA
~	DOOR FRAME WELD - WHITE	1	134709-13	134709-12	NLA
6 *	DOOR GUARD - BLACK	1	133629-16	133629-15	
~	DOOR GUARD - BROWN	1	133629-23	133629-9	
~	DOOR GUARD - WHITE	1	133629-22	133629-8	
7	SIGN FACE "COLD DRINKS"	1	*388954-19	389079-12	□□
8 *	VALIDATOR PLUG - BLACK	1	133539-2	133539-2	
~	VALIDATOR PLUG - BROWN	1	133539-4	133539-4	
~	VALIDATOR PLUG - WHITE	1	133539-7	133539-7	
~	VALIDATOR GASKET (NOT SHOWN)	1	388846	388846	
9	INNER DOOR ASSEMBLY (FINAL)	1	*134302-20	134302-21	*NLA
10	INNER DOOR PANEL	1	133438-1	133438	
11	HINGE - INNER DOOR	2	388148	388148	C
12	DOOR HANDLE	1	388305	388305	1121286
13	CARRIAGE BOLT - HANDLE	1	V329258	V329258	
14	GROMMET	2	388090	388090	
15	GASKET	1	389622-3	389622-4	
16	DELIVERY EYELET DOOR	1	1013076	1013076	
17	HINGE PIN	1	389985	389985	C

* NOTE: WHEN ORDERING PART SPECIFY COLOR AND/OR FRANCHISE
NOTE: ITEM LETTER "HARDWARE" LISTED ON PAGE A-10

* SFSUB (388154-28)
NLA



THE SALES MANAGER TRADE OUTER DOOR W/MINI-TRADE BUTTONS

ITEM NO.	PART NAME & DESCRIPTION	MODEL NUMBERS		TSM 72	TSM 79	ITEM LETTER
		REQ.	PART NUMBER	PART NUMBER		
1	OUTER DOOR ASSEMBLY (SEE PG. E-2)	1	~	~	~	
2	BUSHING - DOOR HINGE	2	388094	388094	388094	NN, EE
3	SIGN CAP - TOP/BOTTOM	2	1014986	1014986	1014986	CC
4	SIGN FRAME - LEFT/RIGHT	2	388125-2	388125	388125	CC
5	SIGN FACE (SEE PG. E-2)	1	~	~	~	
6	EYELET TRIM	1	388271	388271	388271	FF
7	VALIDATOR PLUG (SEE PG. E-2)	1	~	~	~	
8	COIN INSERT (SEE PG. E-6)	1	~	~	~	
9	SELECTION PANEL (SEE PG. E-6)	1	~	~	~	
10	* DOOR RAIN GUARD - BLACK	1	133647-2	133647-2	133647-2	N, R
~	DOOR RAIN GUARD - BROWN	1	133647-20	133647-20	133647-20	N, R
~	DOOR RAIN GUARD - WHITE	1	133647-18	133647-18	133647-18	N, R
11	DOOR FRAME WELD (SEE PG. E-2)	1	~	~	~	
12	DOOR GUARD (SEE PG. E-2)	1	~	~	~	
13	CARRIAGE BOLT	1	~	~	~	
14	T-HANDLE ASSY. (SEE PG. E-6)	A/R	V801434	V801434	V801434	J
15	T-HANDLE CHUTE	1	~	~	~	
16	SCAVENGER CHUTE	1	389240	389240	389240	
17	RETAINER - LEVER	1	388944	388944	388944	
18	SCAVENGER LEVER	1	388220	388220	388220	
19	SPRING - LEVER	1	390274	390274	390274	
20	COIN INSERT CHUTE ASSEMBLY	1	387849	387849	387849	
21	COVER - CHUTE	1	133428	133428	133428	U
22	COIN INSERT CHUTE	1	389066	389066	389066	U
23	COIN RETURN TRIM	1	389065	389065	389065	U
24	CUP WASHER - TRIM	1	389791	389791	389791	
25	COIN RETURN DOOR	2	337241-1	337241-1	337241-1	FF
26	CROWN BLOCKER	1	389790	389790	389790	
27	CUP - COIN RETURN	1	388455	388455	388455	CC
28	BACKING PLATE	1	388111	388111	388111	CC
29	HINGE - INNER DOOR	1	388443	388443	388443	
30	LATCH - COINAGE DOOR	2	388149	388149	388149	CC
31	COINAGE DOOR ASSEMBLY	1	388612	388612	388612	CC
32	BARRIER PANEL	1	133435	133435	133435	E
33	BULKHEAD	1	388244	388244	388244	CC
34	BRACKET - LAMPHOLDER	1	388119	388119	388119	
35	LAMP HOLDER - PLUNGER (HI-INTENSITY)	4	4016121	4016121	4016121	
~	LAMP HOLDER - PLUNGER (SLIM LINE)	2	388407	388407	388407	
36	SHEAR PANEL - MIDDLE	2	388260	388260	388260	
37	FLUORESCENT LAMP (HI-INTENSITY)	1	389834-1	389834-1	389834-1	
~	FLUORESCENT LAMP (SLIM LINE)	2	388408-1	388408	388408	
38	BALLAST - LAMP (HI-INTENSITY)	2	388320-1	388320	388320	
~	BALLAST - LAMP (SLIM LINE)	1	388405	388405	388405	
39	LAMP HOLDER - FIXED (HI-INTENSITY)	1	388259	388259	388259	
~	LAMP HOLDER - FIXED (SLIM LINE)	2	388406	388406	388406	
40	DELIVERY HOPPER ASSEMBLY	2	388261	388261	388261	
41	TIE DOWN PANEL MOUNT	1	133574-1	133574-1	133574-1	
42	BUMPER - DOOR	A/R	388359-1	388359-1	388359-1	
43	DOOR HARNESS (SEE PG. A-4) (NOT SHOWN)	2	369466-2	369466-2	369466-2	CC
44	HARNESS CLIP	1	~	~	~	
45	SHEAR PANEL - TOP/BOTTOM	3	384692	384692	384692	
46	RAIN GUTTER	2	388117	388117	388117	
47	COIN BOX	1	388581-1	388581-1	388581-1	CC
48	LIGHT HARNESS (SEE PG. A-4)	1	133563	133563	133563	
49	RAMP - INNER DOOR	~	~	~	~	
50	GROMMET	1	1016962	1016962	1016962	CC
51	HARNESS TIE	1	327021	327021	327021	
52	ELECTRONIC CONTROL ASSEMBLY (SEE PG. E-8)	2	388359-1	388359-1	388359-1	

388125B

2000848

33428M

133428M

1121287

1025546

1119147

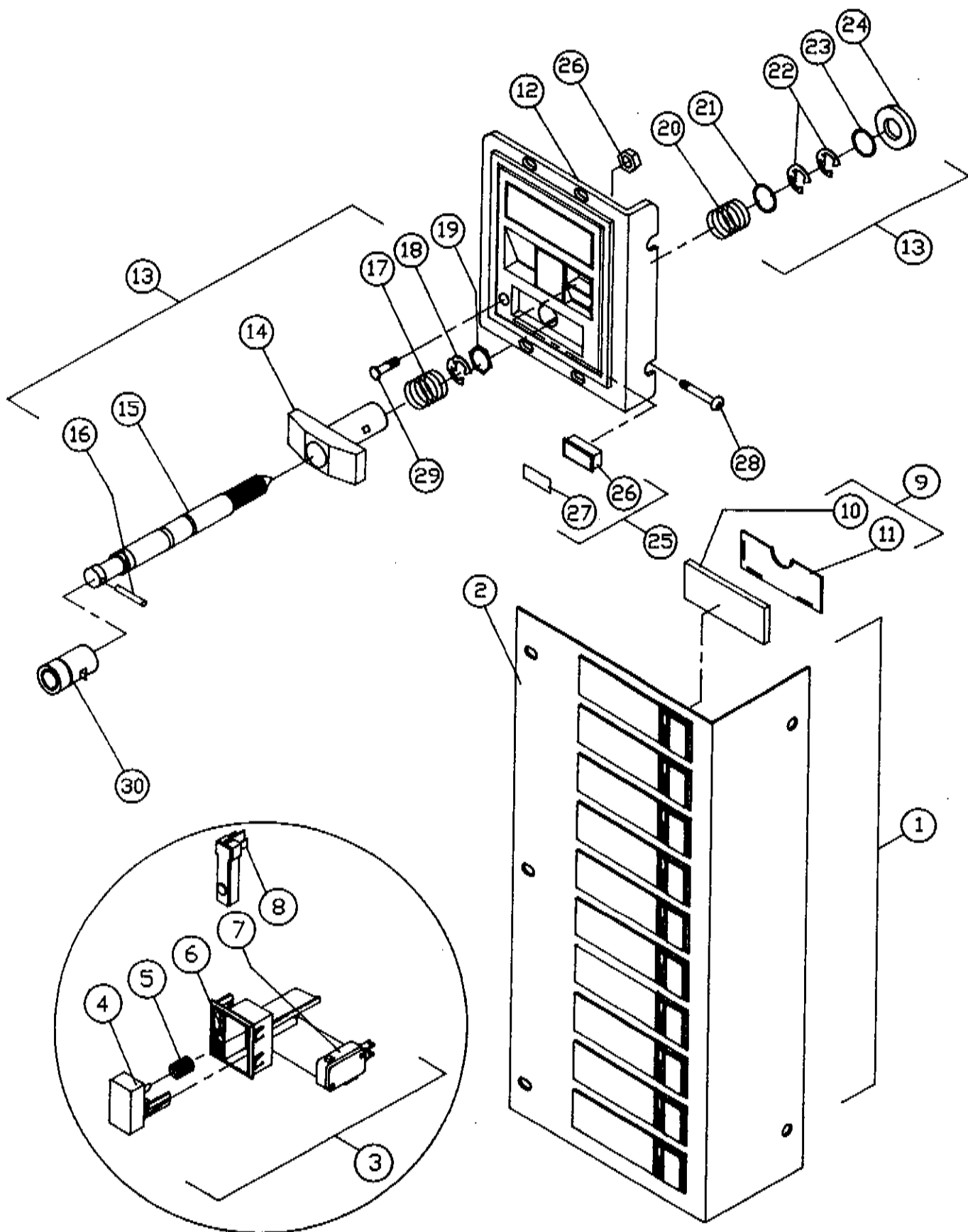
122305

1120713

103430+

1088864

NOTE: FOR LABELS AND DECALS SEE PAGE A-5
 * NOTE: WHEN ORDERING PART SPECIFY COLOR AND/OR FRANCHISE
 NOTE: ITEM LETTER "HARDWARE" LISTED ON PAGE A-10



THE SALES MANAGER SELECTION PANEL W/MINI-TRADE BUTTONS

COLOR	ITEM NUMBER		1	2
	NUMBER OF SELECTIONS	NO REQ.	BUTTON PANEL ASSY.	SELECTION PANEL
BLACK	10 SELECT	1	134758-63 <i>NLA</i>	134757-62
BROWN	10 SELECT	1	134758-64 <i>NLA</i>	134757-63 <i>NLA</i>
WHITE	10 SELECT	1	134758-65	134757-64 <i>NLA</i>

NOTE: BUTTON PANEL ASSEMBLY IS COMPLETE SELECTION PANEL.
SELECTION PANEL IS PAINTED METAL PANEL ONLY.

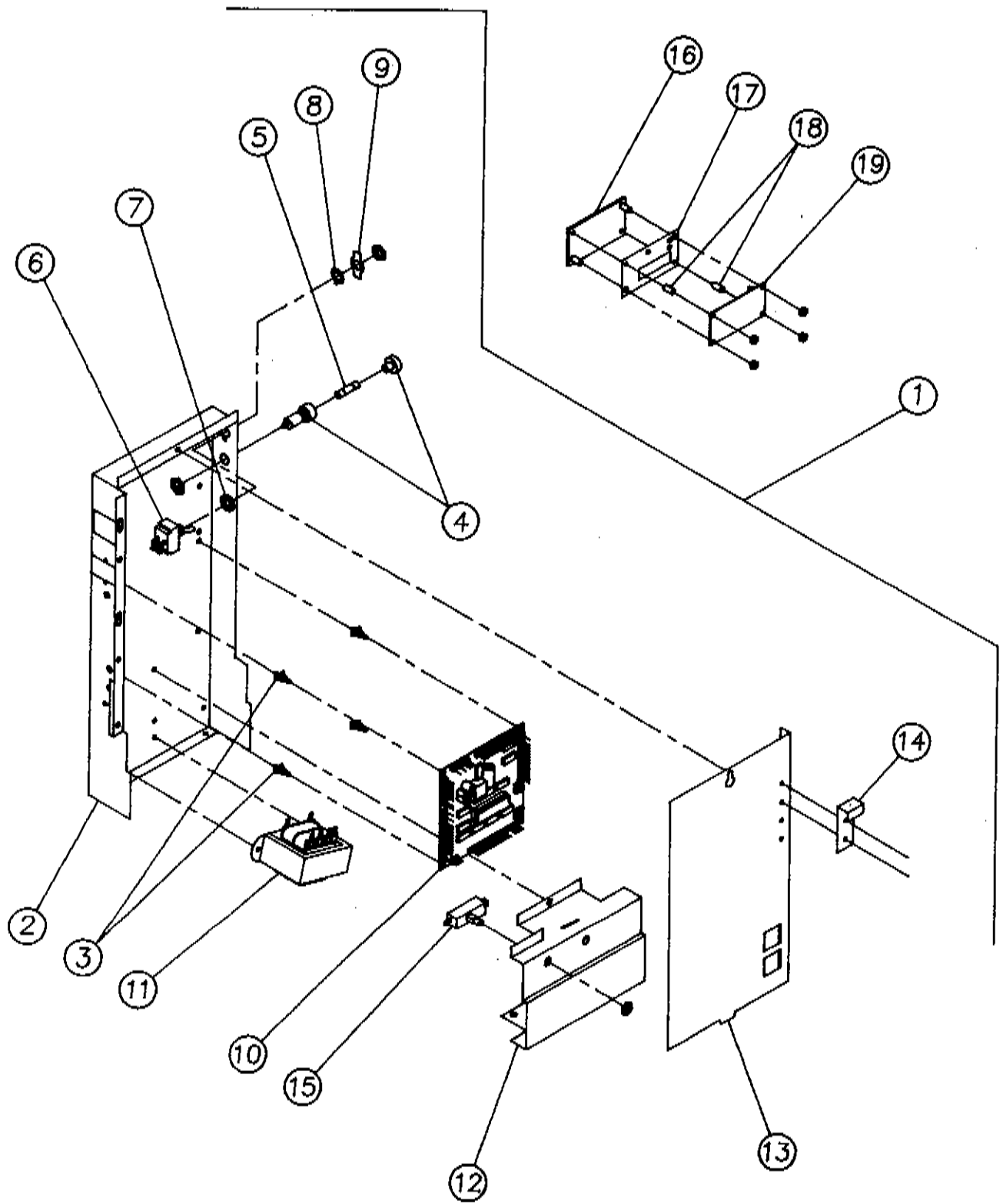
ITEMS LISTED BELOW COMMON TO ALL CONFIGURATIONS

ITEM NO.	PART NAME & DESCRIPTION	NO. REQ'D.	PART NO.
1	BUTTON PANEL ASSEMBLY	1	SEE ABOVE
2	SELECTION PANEL	1	SEE ABOVE
3	SELECTION BUTTON ASSEMBLY	10	1017128-1
4	SELECTION BUTTON - GRAY	1	1008919
5	SPRING - SELECTION BUTTON	1	388858
6	HOUSING - SELECTION BUTTON	1	1006932
7	SELECTION SWITCH	1	368299
8****	PLUG SOLD OUT - DUMMY	1	1006975-1
9	SELECTION WINDOW ASSEMBLY	10	133431
10	WINDOW	1	388223
11	WINDOW BACK	1	388116
12	COIN INSERT CASTING	1	389780
13	LOCK ASSEMBLY	1	134734
14	"T" HANDLE	1	387603
15	LOCKING STUD (BOLT)	1	388131
16	PIN - STUD	1	387601
17	SPRING	1	389691
18	"E" RETAINER RING	1	388589
19	HEX FLAT WASHER	1	387600
20	SPRING (HEAVY)	1	389691
21	FLAT WASHER	1	387718
22	"E" RETAINER RING	2	387719
23	FLAT WASHER - 1/2"	2	V801023
24	VAPOR SEAL	1	388132
25****	CORR. CHANGE LITE ASSY DUMMY	1	1020501-5
26	CORR. CHANGE LITE HOUSING	1	1001965
27	CORR. CHANGE LITE LABEL	1	1001973-5
28	CARRIAGE BOLT	AR	V801434
29	CARRIAGE BOLT	1	V802005
30**	KEY AND LOCK	AR	-----

*** NOTE: FOR FLAVOR LABELS SEE PAGES A-7 THRU A-9

** NOTE: KEY AND LOCK CAN BE ORDERED THROUGH VENGUARD

**** NOTE: ITEMS 8 AND 25 ARE NON-FUNCTIONAL FILLER PLUGS



THE SALES MANAGER ELECTRONICS ASSEMBLY

ITEM NO.	PART NAME & DESCRIPTION	NO. REQ.	PART NO.	ITEM LETTER
1	ELECTRONICS ASSEMBLY	1	1002155	0BS
2	MOUNT BRACKET	1	1001299	AC
3	STANDOFF	4	389973	
4	FUSE HOLDER	1	387966	
5	FUSE - 2 AMP.	1	1015419	
6	POWER SWITCH	1	348683	
7	LOCKING RING	1	1015516	0BS
8	LOCK WASHER	1	387947	
9	POSITION PLATE	1	369498	
10	CONTROL BOARD	1	1001027 X	
11	TRANSFORMER 24V VEC 5/6	1	1017861	CC
12	COVER - TRANSFORMER	1	1001302	O
13	COVER - CONTROL BOARD	1	1001329	O
14	HOOK - ELECT. COVER	1	1001639	N
15	DOOR SWITCH	1	323007	TT
16	DISPLAY LENS	1	1012088	
17	DISPLAY LABEL	1	1001507	
18	SPACER 1/2	4	387238-2	
19	DISPLAY	1	1001035	UU
20	DISPLAY HARNESS (NOT SHOWN)	1	1001043	
21	COINAGE HARNESS (NOT SHOWN)	1	1006908	
22	DOOR HARNESS (NOT SHOWN)	1	1001019	0BS

1121140

PLA

1085627

NLA

NOTE: ITEM LETTER "HARDWARE" LISTED ON PAGE A-10