

PARTS MANUAL

SUPER-STACK BOTTLE & CAN MACHINES

CANS BOTTLES

214	111
324	183
276	156
322	182
406	231
462	266
528	304

Literature No. 383995



Vendo®

10500 Barkley
Overland Park, Kansas 66212



TABLE OF CONTENTS

INTRODUCTION	4
MODEL DESIGNATION	4
SPECIFICATIONS	4
PARTS ORDERING PROCEDURE	5
MATERIAL RETURN PROCEDURE	6
REFRIGERATION AND ICE MAKER RETURN PROCEDURE	7
READING A PARTS LIST	7
OUTER DOOR ASSEMBLY FOR 214/111 – 324/183	8
OUTER DOOR ASSEMBLY FOR 322/182 – 276/156 – 406/231 – 462/266 – 528/304	10
DOOR HARNESS ASSEMBLY	12
CONTROL PANEL ASSEMBLY	14
INNER DOOR FOR 214/111 – 324/183	16
INNER DOOR FOR 276/156 – 322/182 – 406/231 – 462/266 – 528/304	18
REFLECTOR ASSEMBLY FOR 214/111 – 324/183 – 276/156 – 322/182 – 406/231	20
REFLECTOR ASSEMBLY FOR 462/266 – 528/304	21
CABINET ASSEMBLY – 214/111 – 324/183	22
CABINET ASSEMBLY – 322/182 – 276/156 – 406/231 – 462/266 – 528/304	24
STACK ASSEMBLY FOR 214/111 – 324/183	26
STACK ASSEMBLY FOR 276/156 – 322/182 – 406/231 – 462/266 – 528/304	28
VEND MOTOR ASSEMBLY	30
LOCK OUT/SOLD OUT ASSEMBLY	31
MECHANICAL HARNESS ASSEMBLY – SEQUENCER ASSEMBLY	32
DOOR LATCH ASSEMBLY (110 DEGREE CAM)	33
REFRIGERATION ASSEMBLY	34
FLAVOR STRIPS – NEW DESIGN FLAVOR STRIPS	36
COINAGE LABELS	37



INTRODUCTION

The Super Stack Vender offers superior package versatility, labor saving features, plus a 100% lock out system which is effective from time of selection to delivery of product.

The vend mechanism includes a vend motor per column and also a lock out assembly per selection. Should a vend problem occur, this "lock out" will bypass that selection and indicate "Make Another Selection".

The double door design allows the inner door (with magnetized gaskets) to remain closed while servicing the coinage, changing the display light or flavor strips, etc.

MODEL DESIGNATION

This manual applies to any vender with one of the following manufacturers numbers stamped on the identification plate.

01C111**A	01C304**P
01C183**A	01C231**A
01C156**D	01C266**C ✓
01C182**A	

When requesting information about your vender, please make available ALL information stamped on the identification plate under manufacturers number AND serial number.

* Variations of Models that may not directly affect operational instructions.

SPECIFICATIONS

MODELS	156/276	182/322	231/406	266/462	304/528	111/214	183/324
HEIGHT	66"	66"	72"	79"	79"	64"	79"
WIDTH	38-1/2"	38-1/2"	38-1/2"	38-1/2"	46-7/32"	32"	32"
DEPTH	24-3/8"	24-3/8"	24-3/8"	24-3/8"	24-3/8"	24-3/8"	24-3/8"
SHIPPING WEIGHT (BOTTLE)	605 lbs.	635 lbs.	690 lbs.	715 lbs.	830 lbs.	510 lbs.	590 lbs.
CAPACITY – BOTTLES 6-1/2 OZ.	156	182	231	266	304	111	183
CAPACITY – 12 OZ. CANS	276	322	406	462	528	214	324
REFRIGERATION H/P	1/3	1/3	1/3	1/3	1/2	1/5	1/5

NOTE: All Electrical Requirement 115 Volt AC - 60 Hertz



MATERIAL RETURN PROCEDURE

All items returned must be accompanied by material return tags clearly stating the reason for return. (Tags are available on request.)

To replace an inoperative part within the terms of the warranty, please follow these instructions.

1. If a replacement part was taken from the available parts stock and installed on the machine, proceed as follows:
 - a. Complete a parts return tag. Be sure all of the requested information is written in.
 - b. Keep the white (top) copy.
 - c. Attach the tab to the inoperative parts and send it by the cheapest method of transportation to: Venguard, 2001 Arthur Avenue, Elk Grove Village, Illinois 60007.
 - d. A like part will be shipped prepaid, at no charge, if our inspection shows the inoperative part became defective in warranty.
 - e. If a part does not meet the terms of the warranty, it will be replaced with a new part and invoiced accordingly. The returned part will be scrapped to eliminate further handling charges.
2. If a spare part is not available to put on the machine, order the part required. Call 1-913-341-1300 for emergency requirements. The part will be shipped and invoiced to you. After the replacement is received, follow the procedure as outlined above under Number 1.

After exchange of the part on the machine, complete a material return tag. Check the box marked "Credit" and fill in the invoice number covering the part.

Attach the tag to the inoperative part and send it by the cheapest method of transportation to: Venguard, 2001 Arthur Avenue, Elk Grove Village, Illinois 60007.

If our inspection shows the inoperative part became defective in warranty, a credit will be issued to cancel the invoice on which the replacement part was shipped. This credit will include any prepaid transportation charges. To receive credit the inoperative part MUST be returned within 30 days from the date the replacement was shipped.

We do not issue cash credit for the return of any part or accessory.

INSTRUCTIONS: USE TAG FOR UP TO 5 ITEMS
ALL ITEMS RETURNED MUST BE ACCOMPANIED BY PARTS RETURN TAG

DO NOT USE FOR REFRIGERATOR OR ICE MAKING UNITS

WIRE HARD COPY (TAG) TO PARTS; BEING RETURNED. WRAP A BOX CAREFULLY TO PREVENT DAMAGE.

Form L-1496

VENGUARD PARTS RETURN TAG

Detach lower part on top flap & use as mailing label!
If it is gummed - moisten and apply.
Retain top portion for your records.

MODEL NUMBER	MACHINE SERIAL NUMBER	PART NUMBER	PART NAME	QTY	INVOICE NUMBER
HBA8	4BK001218	121662	VALVE	6-12 1	966742
HBB7	3SK002248	354005-2	THERMOSTAT	5-31 1	
VF156-6	3RK012218	342238	RELAY	6-5 1	

REASON FOR Return: **PARTS ARE INOPERATIVE**

Date Returned: **6-20-74**

FILL IN RETURN ADDRESS:

FROM: **YOUR VENDING CO.**
ADDRESS: **1000 MAIN ST**
CITY: **ANYWHERE**
STATE: **U.S.A.** ZIP: **10000**

Return Postage Guaranteed

RETURN TAG NO: **370**
CUSTOMER COPY

TO: **VENGUARD**
2001 ARTHUR AVENUE
ELK GROVE VILLAGE, ILLINOIS 60007

Machined on - Fourth Class Mail



REFRIGERATION & ICE MAKER RETURN PROCEDURE

PRESS FIRMLY FOR CLEAR COPY

INSTRUCTIONS

1. PLEASE COMPLETE ONE TAG FOR EACH ITEM RETURNED
2. WIRE PART ONE TO SYSTEM BEFORE CRATING
3. KEEP UPPER PORTION OF PART TWO FOR YOUR RECORDS
4. USE LOWER PORTION OF PART TWO FOR SHIPPING LABEL

THE VENDO COMPANY Form L-1322 (Rev. 3-77)

REFRIGERATION UNIT & ICE MAKER RETURN TAG

PART NUMBER 123890 PART NAME ICE MAKER

REASON FOR RETURN WON'T FREEZE WATER

THIS INOPERATIVE REFRIGERATION SYSTEM, OR ICE MAKER WAS REMOVED FROM

MACHINE MODEL NO. PM 8 SERIAL NO. 4550 REPLACEMENT DATE 3-3-77

INOPERATIVE UNIT SERIAL NO. 404004872 WAS REPLACED BY UNIT SERIAL NO. 405007310 THE REPLACEMENT WAS TAKEN FROM STOCK (PLEASE CHECK) YES OR FROM ANOTHER MACHINE

MODEL NO. _____ SERIAL NO. _____

PLEASE CHECK

REPLACE WITH A LIKE UNIT OR SYSTEM

CREDIT OUR ACCOUNT. WE PURCHASED REPLACEMENT BILLED ON INVOICE NO. _____

SHIPPED VIA P.E. RETURN TAG NUMBER 1100

DATE SHIPPED 4-1-77

FROM YOUR VENDING CO.

ADDRESS 1000 MAIN ST.

CITY ANYWHERE

STATE U.S.A. ZIP 00000

TO: (THE BRANCH THAT SHIPPED THE ICE MAKER)

Refrigeration units require a separate tag for each item returned. The procedure is the same as for parts except the original is attached to the unit and the customer keeps the copy for his records. All refrigeration systems are to be returned to: The Vendo Company, 202 Cardinal Drive, Corinth, Mississippi 38834.

Ice Makers are to be returned to the technical branch that shipped the new or rebuilt ice maker. The return tag should be filled out in its entirety.

READING A PARTS LIST

1. Step 1 is the Vend Motor Assembly. Anything indented (A) under that part is a detail part of the assembly and will be included in that part number.
2. Step 2 is an assembly which is a part of the Vend Motor Assembly. Example: Motor Hub Assembly. Any part indented (B) under the Motor Hub Assembly is a detail part of that Motor Hub Assembly.
3. Step 3. This step shows that the parts which are not a part of the Motor Hub Assembly, return to the left in line with the Motor Hub Assembly, thus continuing the Vend Motor Assembly. All parts indented under the Vend Motor Assembly are part of the Vend Motor Assembly, and all parts indented under the Motor Hub Assembly make up the Motor Hub Assembly.
4. Step 4 shows individual parts. This shows that any part that is not indented under an assembly is not part of an assembly on that page.

ITEM NO.	PART NO.	NO. REQ.	PART NAME AND DESCRIPTION
-	124553	1	Vend Motor Assembly
1	370937	1	Hub - Cam
2	V801147	1	Woodruff Key (Not Shown)
3	370526	1	Cover Plate - Cam
4	370527	1	Cam - Switch
5	125321	1	Motor Hub Assembly
6	371062	1	Motor
7	368299	1	Switch (Motor Start)
8	370781	1	Insulator - Switch
9	V800276	3	Machine Screw
10	321289-2	1	Lock Washer
11	V800899	1	Screw
12	V800570	1	Nut

Step 1 []

"A" []

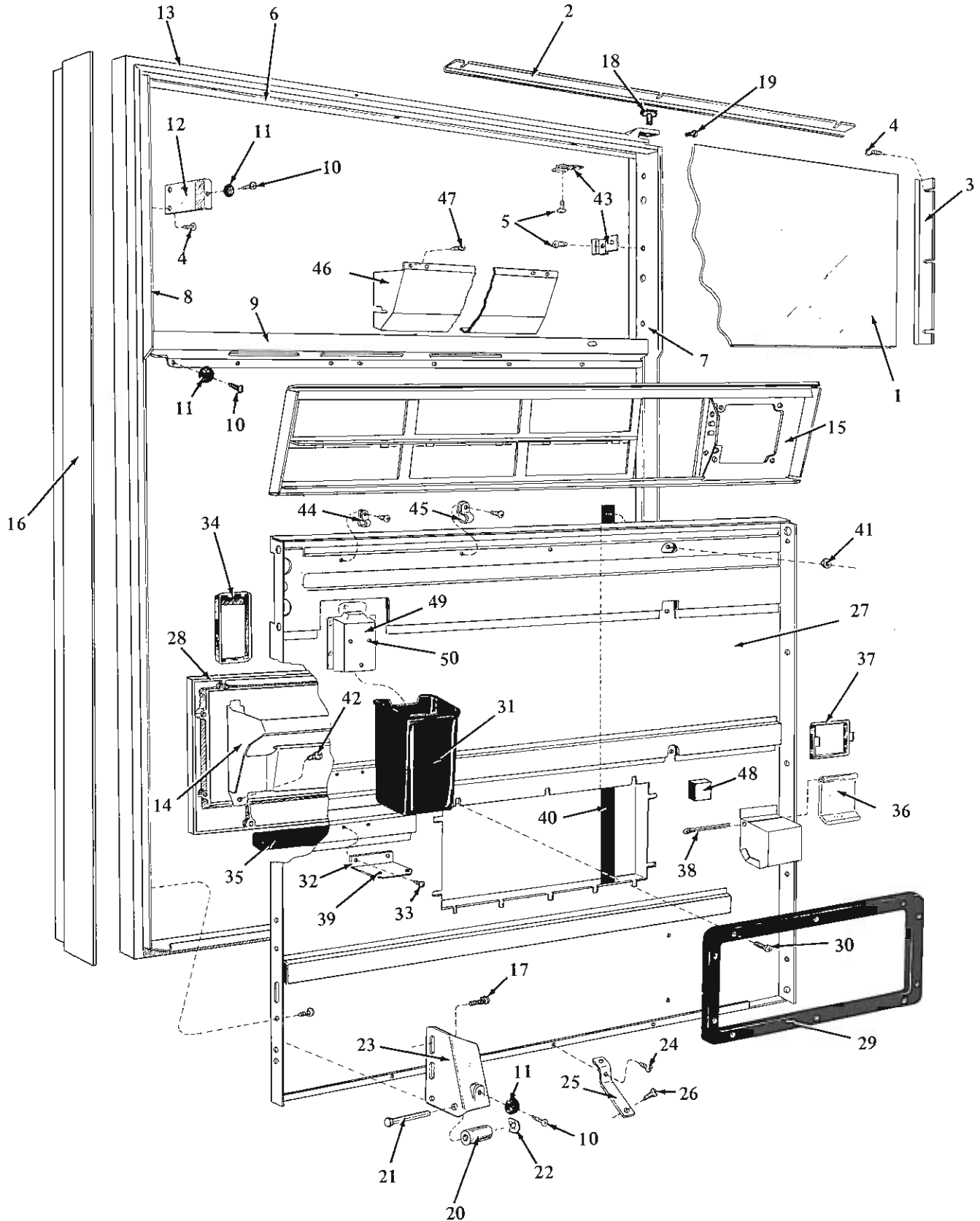
Step 2 []

"B" []

Step 3 []

Step 4 []

OUTER DOOR ASSEMBLY



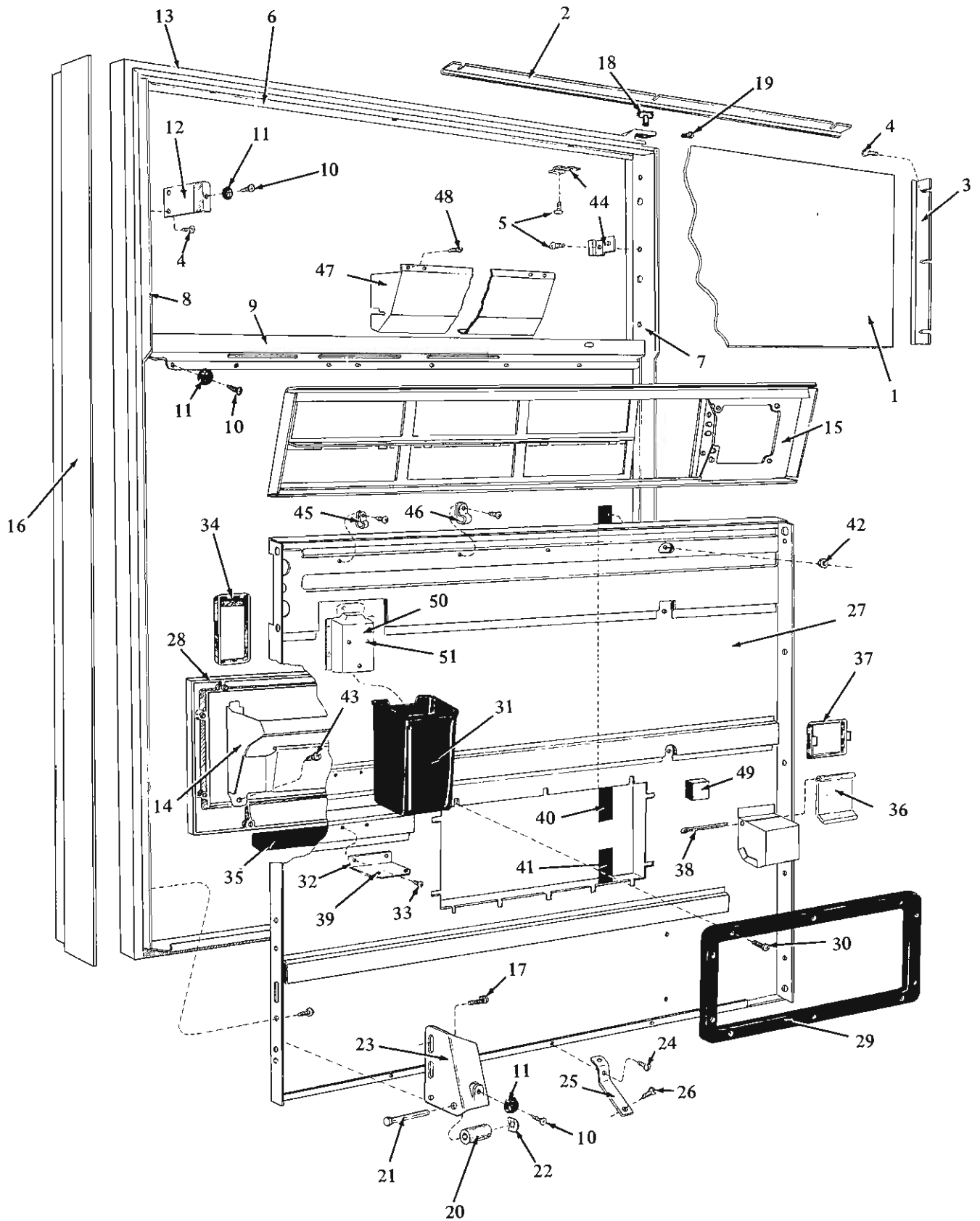


OUTER DOOR ASSEMBLY

ITEM NO.	214/111 PART NO.	324/183 PART NO.	NO. REQ.	PART NAME AND DESCRIPTION
1	383014-4	383014-3	1	Sign Face (Coke)
1	368616-18	368616-17	1	Sign Face (Coca-Cola)
2	382985-4	382985-4	2	Retainer - Sign (Top & Bottom)
3	382985-7	382985-3	2	Retainer - Sign (Right & Left Side)
4	V800548	V800548	14	Tapping Screw
5	V801417	V801417	12	Tapping Screw
6	131224-10	131224-10	1	Sign Frame Weld Ass'y. (Top) Black
7	131224-19	131224-25	1	Sign Frame Weld Ass'y. (Left Hand) Black
8	131224-22	131224-28	1	Sign Frame Weld Ass'y. (Right Hand) Black
9	131224-1	131224-1	1	Sign Frame Weld Ass'y. (Bottom) Black
10	V800498	V800498	A/R	Tapping Screw
11	369466	369466	3	Bumper - Door
12	379345	379345	1	Retainer - Inner Door
13	131021-25	131021-22	1	Door Frame Weld Assembly
14	114917	114917	1	Guard - Anti-Theft Assembly
15	130986-30	130986-30	1	Control Panel Assembly (See Page 14)
16	383102-1	383102-10	1	Door Guard
-	383118	-	9	Drive Rivet for Door Guard (Not Shown)
-	-	383118	11	Drive Rivet for Door Guard (Not Shown)
17	V342624	V342624	3	Self Tapping Screw
18	365453	365453	1	Hinge Pin - Top
19	365454	365454	1	Set Screw
20	368656	368656	1	Roller
21	368657	368657	1	Pin
22	V801368	V801368	1	Retainer
23	382958	382958	1	Roller Bracket - Door
24	V801312	V801312	3	Tapping Screw
25	379301	379301	1	Brace - Bottom Frame
26	V800569	V800569	1	Tapping Screw
27	128919-6	128919-4	1	Door Panel Assembly
-	125393-24	125393-22	1	Woodgrain Assembly (Not Shown)
28	339383-1	339383-1	1	Trim - Delivery Eyelet
29	365851-1	365851-1	1	Trim - Retainer
30	V800791	V800791	8	Tapping Screws (AP for Item 31)
31	320943	320943	1	Crown Box
32	320928	320928	1	Bracket - Crown Box
33	V800638	V800638	2	Tapping Screw (AP for Item 32)
34	356467-2	356467-2	1	Trim - Crown Puller
35	348213	348213	1	Bumper - Eyelet
36	320934-1	320934-1	1	Door - Coin Return
37	320932	320932	1	Trim - Coin Return
38	320935	320935	1	Pin (AP for Item 36)
39	37960	37960	2	Bumper (AP for Item 32)
40	128907-7	128907-4	1	Trim Weld Assembly
41	V800956	V800956	5	Hex Nut & Lock Washer
42	V800787	V800787	2	Tapping Screw (AP for Item 14)
43	383152	383152	12	Mounting Bracket (AP for Items 2 & 3)
44	324099-4	324099-4	1	Clamp - Door Harness
45	324099-7	324099-7	5	Clamp - Door Harness
46	383414	383414	1	Reflector - Large
47	V800479	V800479	A/R	Tapping Screw (A/R - As Required)
48	337011	337011	1	Bumper - Coin Box (AP - Attaching Parts)
-	127161-1	127161-1	1	Door Latch Assembly (See Page 33)
49	31700	31700	1	Crown Puller
50	V800525	V800525	3	Tapping Screws for Item 49)

Vendo®

OUTER DOOR ASSEMBLY



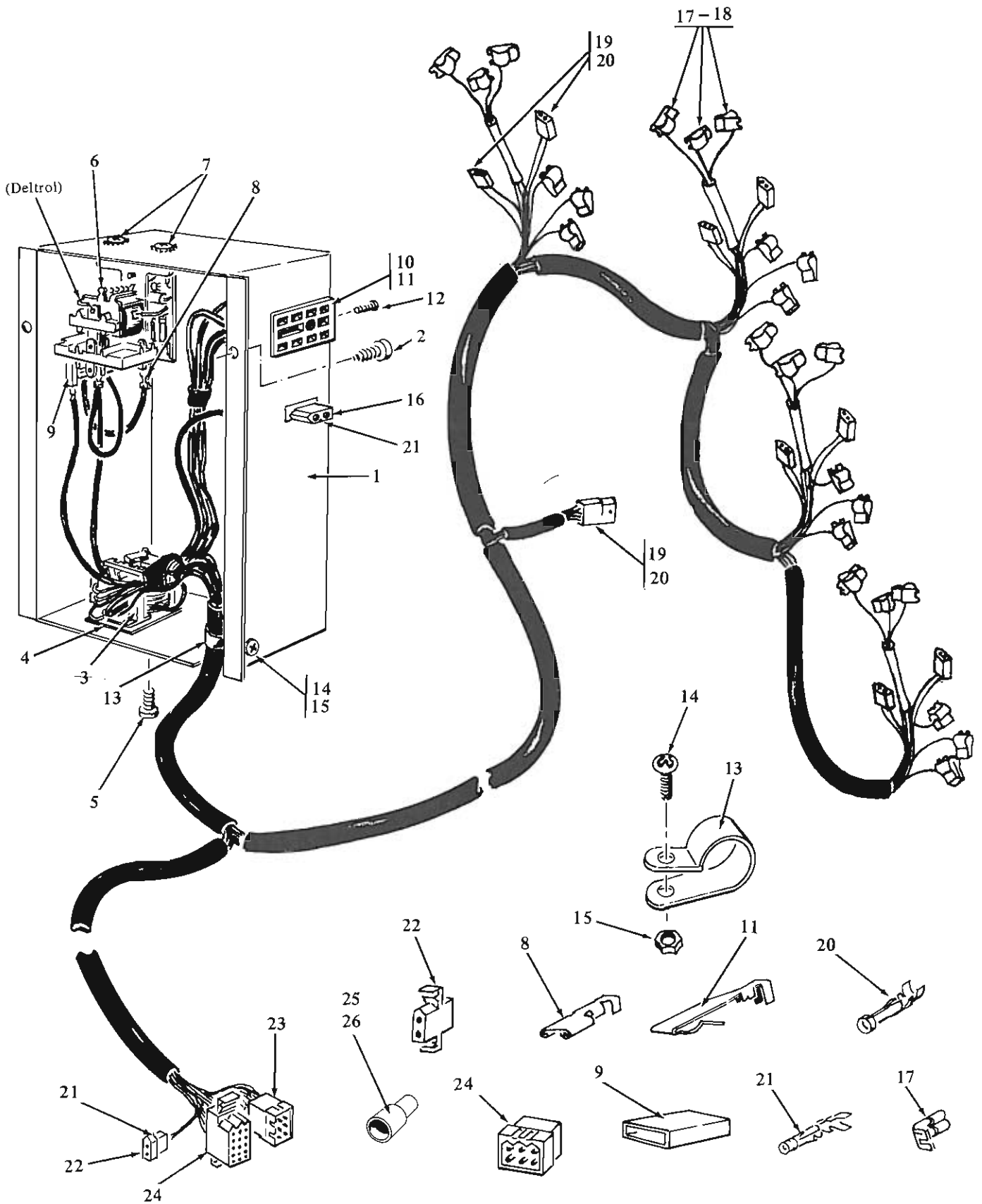


OUTER DOOR ASSEMBLY

ITEM NO.	276/156 PART NO.	322/182 PART NO.	406/231 PART NO.	462/266 PART NO.	528/304 PART NO.	NO. REQ.	PART NAME AND DESCRIPTION
1	383014	383014	383014	383014-1	383014-2	1	Sign Face (Coke)
1	368616-12	368616-12	368616-12	368616-13	368616-15	1	Sign Face (Coca-Cola)
2	382985-5	382985-5	382985-5	382985-5	382985-6	2	Retainer - Sign - Top & Bottom
3	382985-2	382985-2	382985-2	382985-3	382985-3	2	Retainer - Sign - Right & Left Side
4	V800548	V800548	V800548	V800548	V800548	14	Tapping Screw
5	V801417	V801417	V801417	V801417	V801417	12	Tapping Screw
6	131224-13	131224-13	131224-13	131224-13	131224-16	1	Sign Frame Weld Ass'y. (Top) Black
7	131224-31	131224-31	131224-31	131224-25	131224-25	1	Sign Frame Weld Ass'y. (L.H.) Black
8	131224-34	131224-34	131224-34	131224-28	131224-28	1	Sign Frame Weld Ass'y. (R.H.) Black
9	131224-4	131224-4	131224-4	131224-4	131224-7	1	Sign Frame Weld Ass'y. (Btm.) Black
10	V800498	V800498	V800498	V800498	V800498	A/R	Tapping Screw
11	369466	369466	369466	369466	369466	3	Bumper - Door
12	379345	379345	379345	379345	379345	1	Retainer - Inner Door
13	131021-28	131021-28	131021-9	131021-13	131021-19	1	Door Frame Weld Assembly
14	123738-1	123738-1	123738-1	123738-1	114917	A/R	Guard - Anti-Theft Assembly
15	130986-31	130986-31	130986-31	130986-34	130986-22	1	Control Panel Ass'y. (See Page 14)
16	383102-4	383102-4	383102-7	383102-10	383102-10	1	Door Guard
-	383118	383118	383118	383118	383118	A/R	Drive Rivet for Item 16 (Not Shown)
17	V342624	V342624	V342624	V342624	V342624	3	Self Tapping Screw
18	365453	365453	365453	365453	365453	1	Hinge Pin - Top
19	365454	365454	365454	365454	365454	1	Set Screw
20	368656	368656	368656	368656	368656	1	Roller
21	368657	368657	368657	368657	368657	1	Pin
22	V801368	V801368	V801368	V801368	V801368	1	Retainer
23	382958	382958	382958	382958	382958	1	Roller Bracket - Door
24	V801312	V801312	V801312	V801312	V801312	3	Tapping Screw
25	379301	379301	379301	379301	379301	1	Brace - Bottom Frame
26	V800569	V800569	V800569	V800569	V800569	1	Tapping Screw
27	128919-5	128919-5	128919-3	128919-3	129009-1	1	Door Panel Assembly
-	125393-23	125393-23	125393-16	125393-16	125393-17	1	Woodgrain Assembly (Not Shown)
28	358265	358265	358265	358265	358283-1	A/R	Trim - Delivery Eyelet
29	365850-1	365850-1	365850-1	365850-1	365851-1	1	Trim - Retainer
30	V800791	V800791	V800791	V800791	V800791	A/R	Tapping Screw (AP for Item 32)
31	320943	320943	320943	320943	320943	1	Crown Box
32	320928	320928	320928	320928	320928	1	Bracket - Crown Box
33	V800638	V800638	V800638	V800638	V800638	2	Tapping Screw (AP for Item 32)
34	356467-2	356467-2	356467-2	356467-2	356467-2	1	Trim - Crown Puller
35	337211	337211	337211	337211	348213	A/R	Bumper - Eyelet
36	320934-1	320934-1	320934-1	320934-1	320934-1	1	Door - Coin Return
37	320932	320932	320932	320932	320932	1	Trim - Coin Return
38	320935	320935	320935	320935	320935	A/R	Pin (AP for Item 38)
39	37960	37960	37960	37960	37960	2	Bumper (AP for Item 34)
40	128907-7	128907-7	128907-4	128907-4	128907-6	1	Trim Weld Assembly
41	-	-	-	-	128907-3	1	Trim Weld (Lower)
42	V800956	V800956	V800956	V800956	V800956	A/R	Hex Nut & Lock Washer
43	V800787	V800787	V800787	V800787	V800787	A/R	Tapping Screw (AP for Item 14)
44	383152	383152	383152	383152	383152	12	Mounting Bracket (AP for Items 2 & 3)
45	324099-4	324099-4	324099-4	324099-4	324099-4	1	Clamp - Door Harness
46	324099-7	324099-7	324099-7	324099-7	324099-7	5	Clamp - Door Harness
47	383414	383414	383414	383414	383414	1	Reflector - Large
48	V800479	V800479	V800479	V800479	V800479	A/R	Tapping Screw
49	337011	337011	337011	337011	337011	1	Bumper - Coin Box
-	127161-1	127161-1	127161-1	127161-1	127161-1	1	Door Latch Ass'y. (See Page 33)
50	31700	31700	31700	31700	31700	1	Crown Puller
51	V800525	V800525	V800525	V800525	V800525	3	Tapping Screw for Item 50

A/R - As Required
AP - Attaching Parts

DOOR HARNESS ASSEMBLY



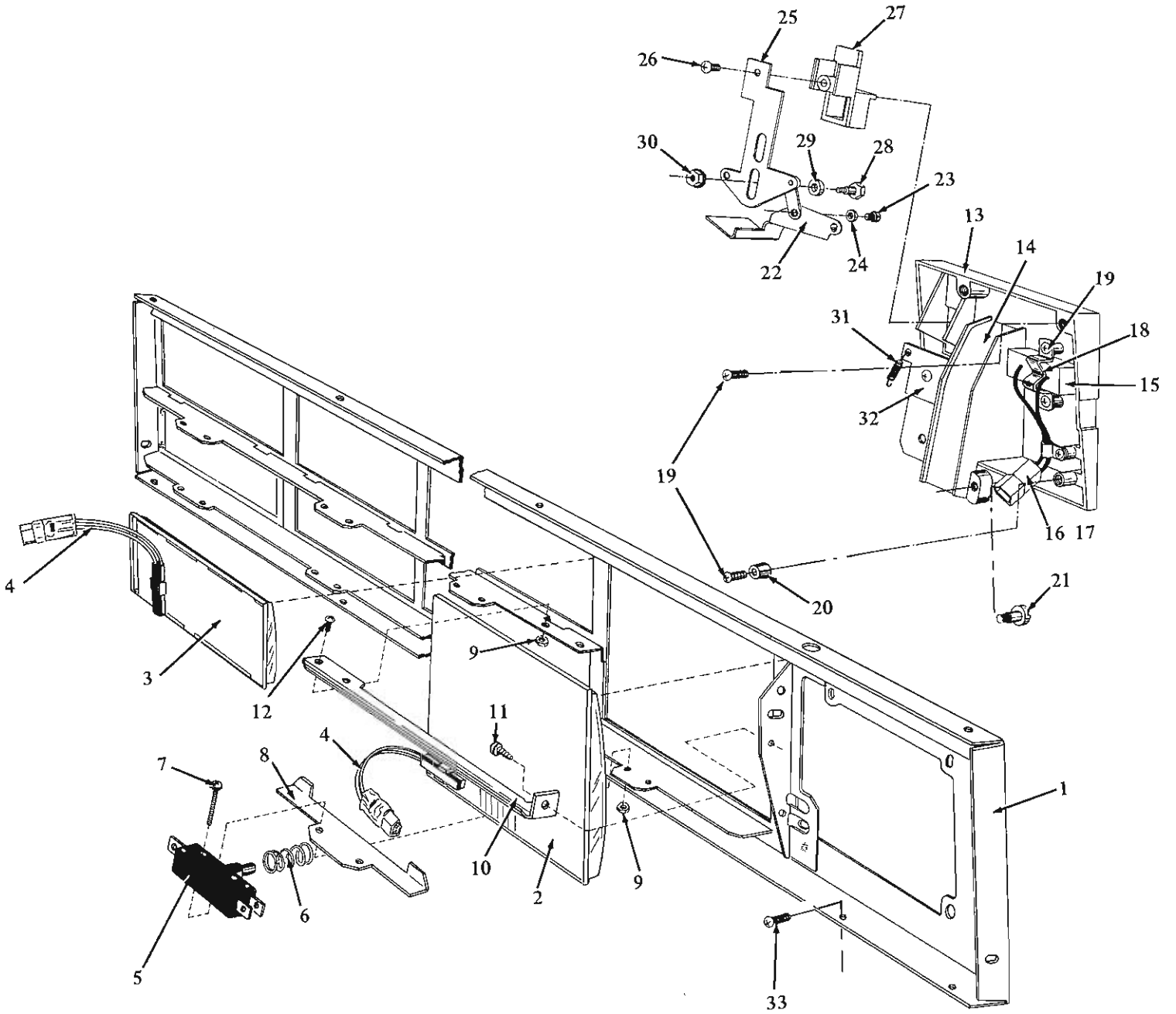


DOOR HARNESS ASSEMBLY

ITEM NO.	PART NO. 214/111 324/176	PART NO. 276/156	PART NO. 322/182	PART NO. 406/231 462/266	PART NO. 528/304	NO. REQ.	PART NAME AND DESCRIPTION
-	131132	-	-	-	-	1	Door Harness Assembly (5 Sel.)
-	-	131160	131162	131162	-	1	Door Harness Assembly (6 Sel.)
1	366753	366753	366753	366753	131163	1	Door Harness Assembly (8 Sel.)
2	V800622	V800622	V800622	V800622	366753	1	Control Box
3	342238	342238	342238	342238	V800622	2	Tapping Screws (For Item 1)
4	344931	344931	344931	344931	342238	1	Relay - Credit
5	V800331	V800331	V800331	V800331	344931	1	Insulation - Relay
6	371052	371052	371052	371052	V800331	1	Tapping Screw (AP for Items 3 or 4)
7	V800639	V800639	V800639	V800639	V800639	1	Time Delay Module
8	336138	336138	336138	336138	336138	2	Tapping Screws (AP for Item 6)
9	489202	489202	489202	489202	489202	11	Terminal
10	327254	327254	327254	327254	327254	A/R	Terminal Covers
11	327060	327060	327060	327060	327060	1	Receptacle - Changer
12	V800331	V800331	V800331	V800331	V800331	A/R	Terminals
13	324099-4	324099-4	324099-4	324099-4	324099-8	A/R	Machine Screws & Lock Washers
14	V800083	V800083	V800083	V800083	V800083	1	Harness Clamp
15	V800956	V800956	V800956	V800956	V800956	1	Machine Screw
16	345008	345008	345008	345008	345008	1	Hex Nut & Lock Washer
17	44617	44617	44617	44617	44617	1	Receptacle - 2 Terminal
18	341203	341203	341203	341203	341203	A/R	Terminal - Flag
19	345008-1	345008-1	345008-1	345008-1	345008-1	A/R	Cover - Flag Terminal
20	320195	320195	320195	320195	320195	A/R	Receptacle - 2 Terminal
21	320196	320196	320196	320196	320196	A/R	Terminal - Female
22	345005-1	345005-1	345005-1	345005-1	345005-1	A/R	Terminal - Male
23	345737-1	-	-	-	-	1	Plug - 2 Terminal
23	-	345003-1	345003-1	345003-1	-	1	Plug - 6 Terminal
23	-	-	-	-	-	1	Plug - 9 Terminal (5 & 6 Sel.)
24	345007	345007	345007	345007	345739-1	1	Plug - 12 Terminal (7 & 8 Sel.)
25	43842	43842	43842	43842	43842	1	Receptacle - 15 Terminal
26	-	41707	41707	41707	41707	1	Connector - Closed End Large
						1	Connector - Closed End Small

Vendo®

CONTROL PANEL



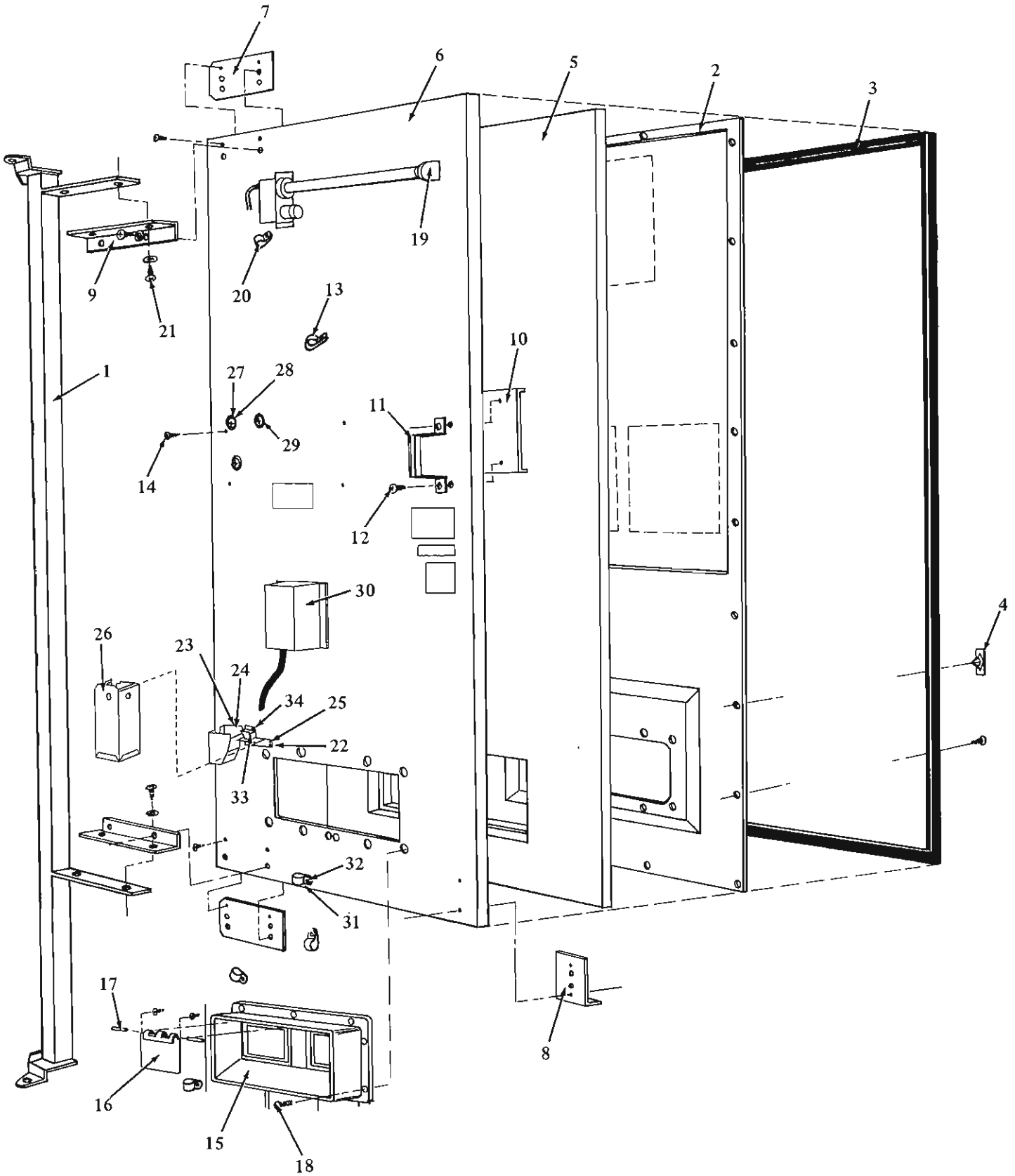


CONTROL PANEL

ITEM NO.	214/111 324/183 PART NO.	276/156 PART NO.	322/182 406/231 462/266 PART NO.	528/304 PART NO.	REQ.	PART NAME AND DESCRIPTION
-	130985-30	130985-31	130985-31	130985-32	-	Control Panel Assembly
1	130984-16	130984-18	130984-18	130984-20	1	Selection Panel Weld
2	383403	383403	383403	383403	1	Button Selection - Large
3	370840	370840	370840	370840	A/R	Button Selection
4	120216	120216	120216	120216	A/R	Lamp Assembly (Sold Out)
5	323007	323007	323007	323007	A/R	Switch (Push Button)
6	383109	383109	383109	383109	A/R	Spring
7	V800337	V800337	V800337	V800337	A/R	Screw (AP for Item 5)
-	383029	383029	383029	383029	A/R	Stop - Selection Button
8	383818	383818	383818	383818	1	Stop - Large Button
9	V800955	V800955	V800955	V800955	A/R	Hex Nut with Lock Washer
10	383439	383439	383439	383439	1	Support Bracket (Large Button)
11	V800639	V800639	V800639	V800639	1	Screw (AP for Item 10)
12	V800331	V800331	V800331	V800331	3	Machine Screw
-	124348	124348	124348	124348	1	Coin Insert Assembly
13	370835	370835	370835	370835	1	Casting - Coin Insert
14	370836	370836	370836	370836	1	Cover (Staked In)
-	124435	124435	124435	124435	1	Light Assembly (Correct Change)
15	370951	370951	370951	370951	1	Correct Change Light
16	345005-1	345005-1	345005-1	345005-1	1	Plug - 2 Terminal
17	320196	320196	320196	320196	2	Terminal - Male
18	370903	370903	370903	370903	1	Retainer (AP for Item 15)
19	V800787	V800787	V800787	V800787	6	Screw
20	337241	337241	337241	337241	2	Cup Washer
21	337052	337052	337052	337052	1	Shoulder Screw (AP for Item 22)
22	111027	111027	111027	111027	1	Actuator
23	V800352	V800352	V800352	V800352	1	Machine Screw (AP for Item 22)
24	V801011	V801011	V801011	V801011	1	Flat Washer
25	111026-2	111026-2	111026-2	111026-2	1	Linkage Assembly
26	V800775	V800775	V800775	V800775	1	Tapping Screw (AP for Items 27, 32)
27	345657	345657	345657	345657	1	Lever - Scavenger
28	337055	337055	337055	337055	1	Shoulder Screw
29	337053	337053	337053	337053	1	Roller
30	44412	44412	44412	44412	1	Nut
31	359367	359367	359367	359367	1	Spring
32	346465	346465	346465	346465	1	Retainer Plate - Spring
33	V800479	V800479	V800479	V800479	A/R	Screw - Control (Panel Mount)

(AP - Attaching Parts)

INNER DOOR

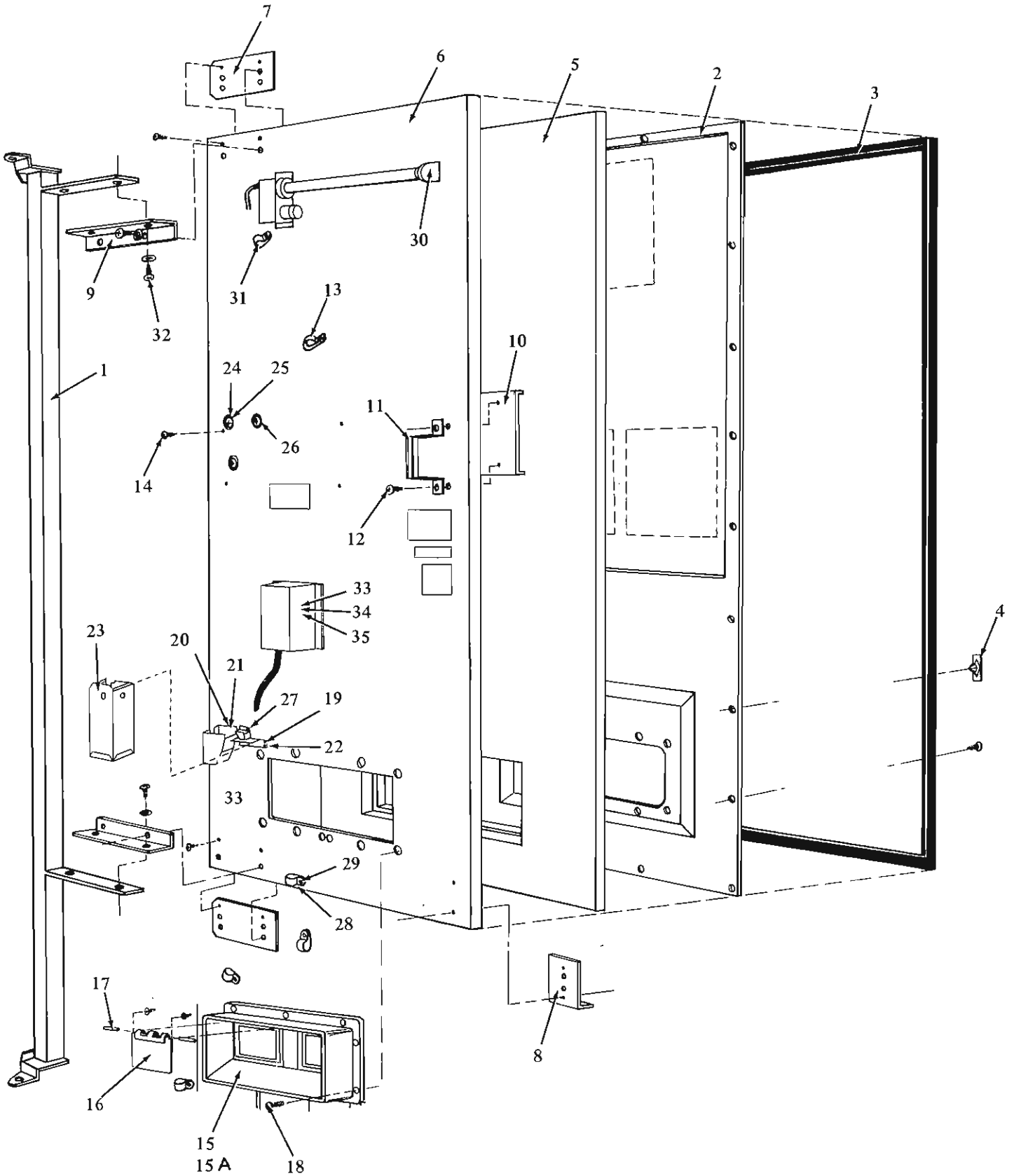


INNER DOOR

ITEM NO.	214/111 PART NO.	324/183 PART NO.	NO. REQ.	PART NAME AND DESCRIPTION
-	131147-1	131147	1	Inner Door Assembly
1	122491-3	122491	1	Torque Tube - Weld Assembly
2	383356	383202	1	Liner - Door
3	383043	383203	1	Magnetic Gasket
4	329409	329409	20	Clip (AP for Item 4)
5	383434	383434-1	1	Insulation - Inner Door
6	383341	383201	1	Inner Door Panel
7	371941	371941	2	Door Corner Support
8	371942	371942	1	Door Bottom Support
9	366545	366545	2	Mounting Angle
10	131311-2	131311-2	1	Stiffener - Back Panel
11	379196	379196	1	Handle
12	V800548	V800548	2	Tapping Screw
13	373502	373502	1	Clamp
14	V800622	V800622	3	Tapping Screw
-	122506-4	122506-4	1	Delivery Eyelet Assembly
15	365824-1	365824-1	1	Eyelet - Delivery
16	383311	383311	1	Door - Delivery
17	46122-1	46122-1	1	Pin - Hinge
-	VM5003-B30	VM5003-B30	30	Mastic Sealer (In Inches) Not Shown
18	V800548	V800548	7	Tapping Screw
19	131142-1	131142-1	1	Reflector Assembly (See Page 20)
20	324099-2	324099-2	1	Clamp
21	382740	382740	8	Screw with Lock Washer
22	383405	329182	1	Support Bracket - Coin Box
23	30678	30678	4	Washer (AP for Item 24)
24	382959	382959	1	Chute - Coin Return
25	V800550	V800550	6	Screw (AP for Items 22 & 24)
26	131157	105064-2	1	Coin Box Weld Assembly
-	337011	337011	1	Bumper (For Item 30) Not Shown
27	370729	370729	2	Lock Washer
28	V800083	V800083	3	Screws
29	232005	232005	3	Plastic Grommet
30	131132	131132	1	Door Harness
31	324099-7	324099-7	5	Clamp (AP for Item 30)
32	V800622	V800622	A/R	Tapping Screw
33	379859	379859	1	Chute - Coin Accept
34	V800634	V800634	1	Screw for above Coin Chute

A/R - As Required
AP - Attaching Part

INNER DOOR



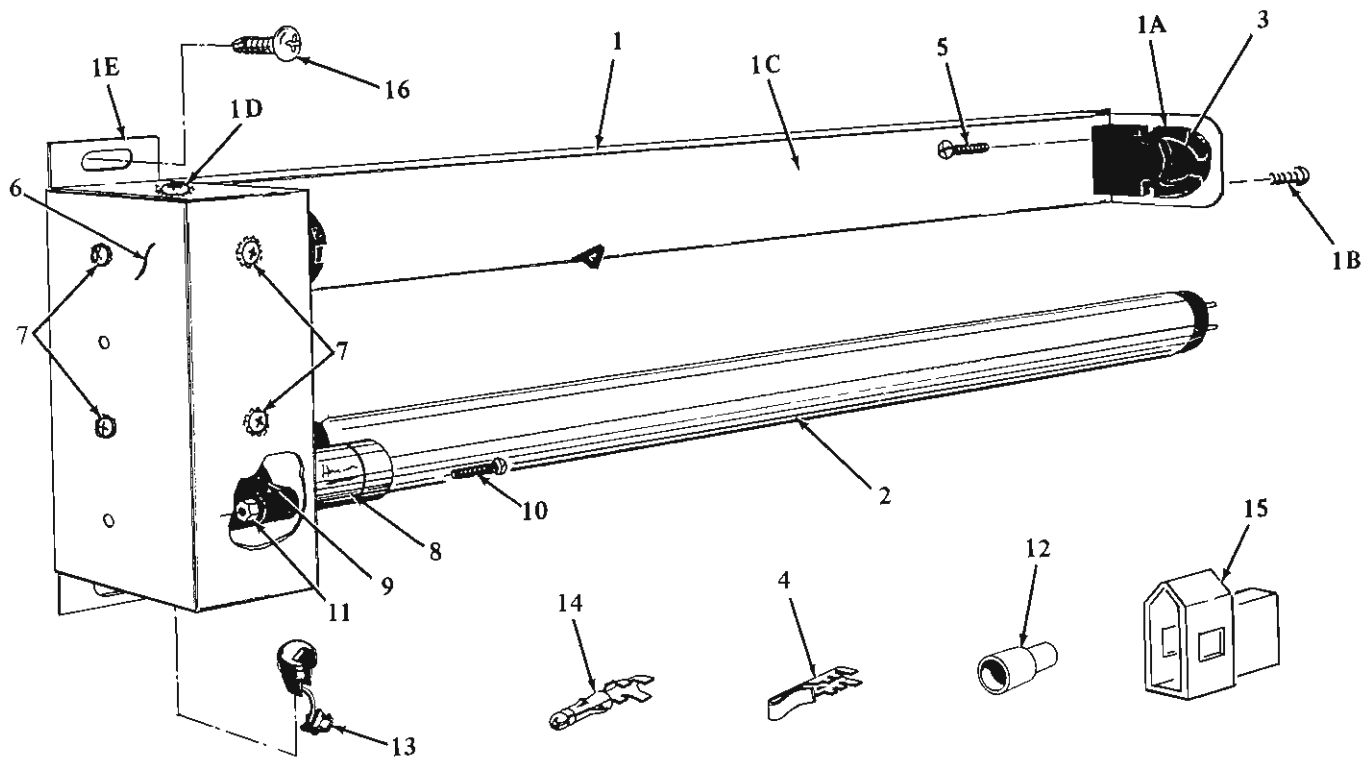


INNER DOOR

ITEM NO.	276/156 322/182 PART NO.	406/231 PART NO.	462/266 PART NO.	528/304 PART NO.	NO. REQ.	PART NAME AND DESCRIPTION
-	122543-18	122543-16	122543-10	122545-6	1	Inner Door Assembly
1	122491-4	122491-5	122491	122491	1	Torque Tube Weld Assembly
2	374134	357012-3	368075-1	344977-3	1	Liner - Door
3	383044	383045	383046	383047	1	Magnetic Gasket
4	329409	329409	329409	329409	1	Clip (AP for Item 4)
5	383434-2	383434-3	383434-4	383434-5	A/R	Insulation - Inner Door
6	383342	366452-2	366453-1	366455-2	1	Inner Door Panel
7	371941	371941	371941	371941	1	Door Corner Bracket
8	371942	371942	371942	371942	2	Door Bottom Support
9	366545	366545	366545	366545	1	Mounting Angle
10	367969-1	367969-1	367969-1	367969-2	2	Stiffener - Back Panel
11	379196	379196	379196	379196	1	Handle
12	V800548	V800548	V800548	V800548	1	Tapping Screw
13	373502	373502	373502	373502	A/R	Clamp
14	V800622	V800622	V800622	V800622	1	Tapping Screw
-	122509-3	122509-3	122509-3	122506-4	3	Delivery Eyelet Assembly
15	365825-1	365825-1	365825-1	-	1	Eyelet - Delivery
15A	-	-	-	365824-1	1	Eyelet - Delivery
16	383311	383311	383311	383311	A/R	Door - Delivery
17	46122-1	46122-1	46122-1	46122-1	A/R	Pin - Hinge
-	VM5003-B46	VM5003-B46	VM5003-B46	VM5003-B30	A/R	Mastic Sealer (In Inches) Not Shown)
18	V800572	V800572	V800572	V800572	12	Tapping Screw
19	383405	329182	329182	329182	1	Support Bracket - Coin Box
20	30678	-	-	-	4	Washer (AP for Item 21)
21	382959	382959	382959	382959	1	Chute - Coin Return
22	V800550	V800550	V800550	V800550	6	Screw (AP for Item 19)
23	131157	105064-2	105064-2	105064-2	1	Coin Box Weld Assembly
-	337011	337011	337011	337011	1	Bumper (For Item 30) Not Shown
24	370729	370729	370729	370729	2	Lock Washer
25	V800083	V800083	V800083	V800083	3	Screws
26	232005	232005	232005	232005	3	Plastic Grommet
27	379859	379859	379859	379859	1	Chute - Coin Accept
28	324099-7	324099-7	324099-7	324099-7	5	Clamp (For Items 33, 34 & 35)
29	V800622	V800622	V800622	V800622	A/R	Tapping Screw
30	131142	131142-2	131142-3	131142-4	1	Reflector Assembly
31	324099-2	324099-2	324099-2	324099-2	1	Clamp
32	382740	382740	382740	382740	8	Screw with Lock Washer
33	131217-5	131218-2	131218-2	-	1	Door Harness - 6 Select
34	-	131218-3	131218-3	131218-7	1	Door Harness - 7 Select
35	-	-	-	131218-8	1	Door Harness - 8 Select

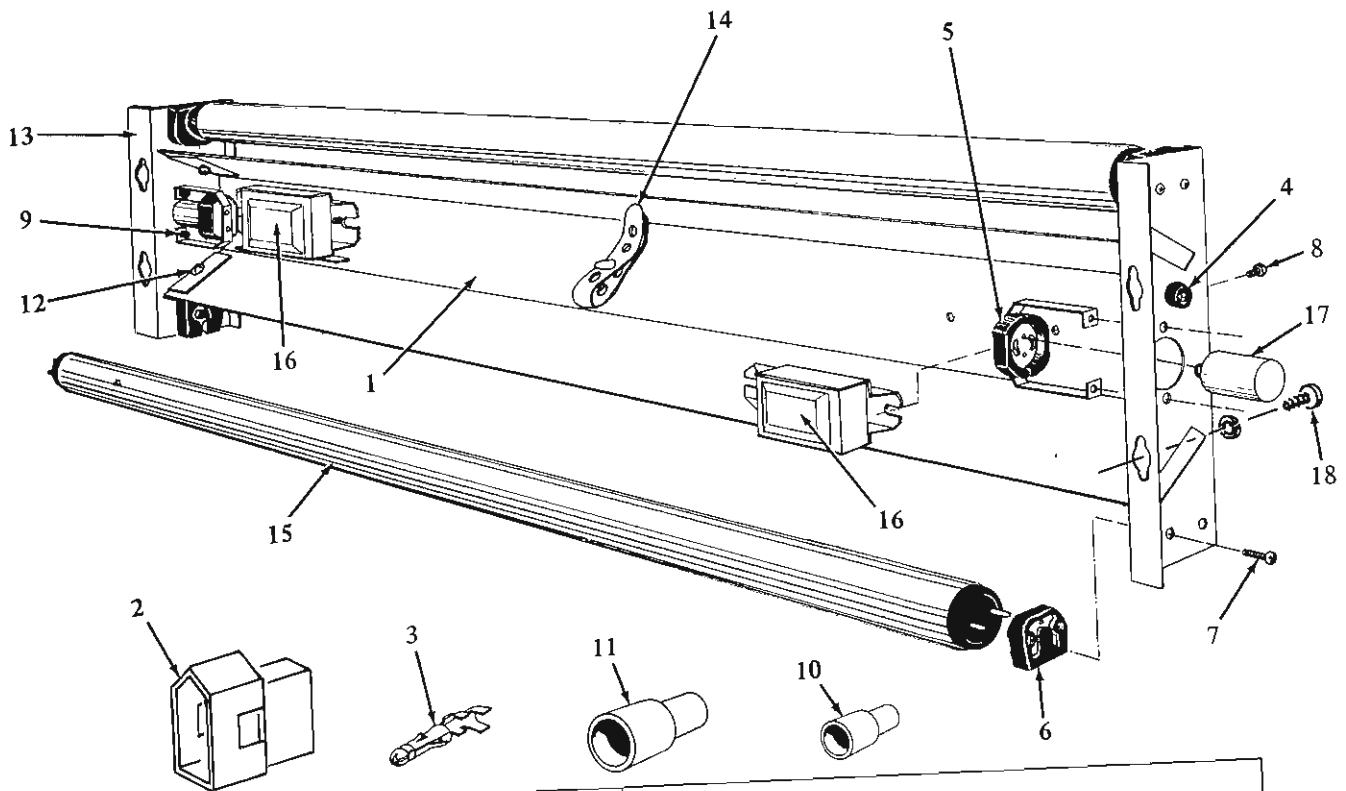
A/R - As Required
AP - Attaching Parts

REFLECTOR ASSEMBLY 214/111 - 324/183 - 276/156 - 322/182 - 406/231



ITEM NO.	PART NO. 214/111 324/183	PART NO. 276/156 322/182 406/231	NO. REQ.	PART NAME AND DESCRIPTION
-	124417-1	-	1	Reflector Assembly 214/111, 324/183 (Flat Sign)
-	-	124417-4	1	Reflector Assy. 276/156, 322/182, 406/231
1	370906-1	-	1	Reflector Weld Assembly
1A	371004	371004	1	Bracket - Socket
1B	V800490	V800490	1	Tapping Screw
1C	370906-2	370906-2	1	Channel - Reflector
1D	V800490	V800490	1	Tapping Screw
1E	370905	370905	1	Housing - Reflector
2	332974	369518	1	Lamp - Fluorescent
3	343301	343301	2	Lamp Holder
4	343300	343300	4	Terminal - Lamp Holder
5	V801382	V801382	4	Tapping Screw
6	321345-1	327146	1	Ballast
7	V801329	V801329	2	Tapping Screw
8	321350	327143	1	Starter
9	321344	321344	1	Socket - Starter
10	V800062	V800062	2	Machine Screw
11	V800955	V800955	2	Hex Nut & Lock Washer
12	41707	41707	3	Connector - Closed End
13	327699-2	327699-2	1	Bushing - Strain Relief
14	320196	320196	2	Terminal - Male
15	345005-1	345005-1	1	Plug - 2 Terminal
16	V800622	V800622	3	Tapping Screw
-	324099-2	324099-2	1	Clamp
-	V800611	V800611	1	Tapping Screw

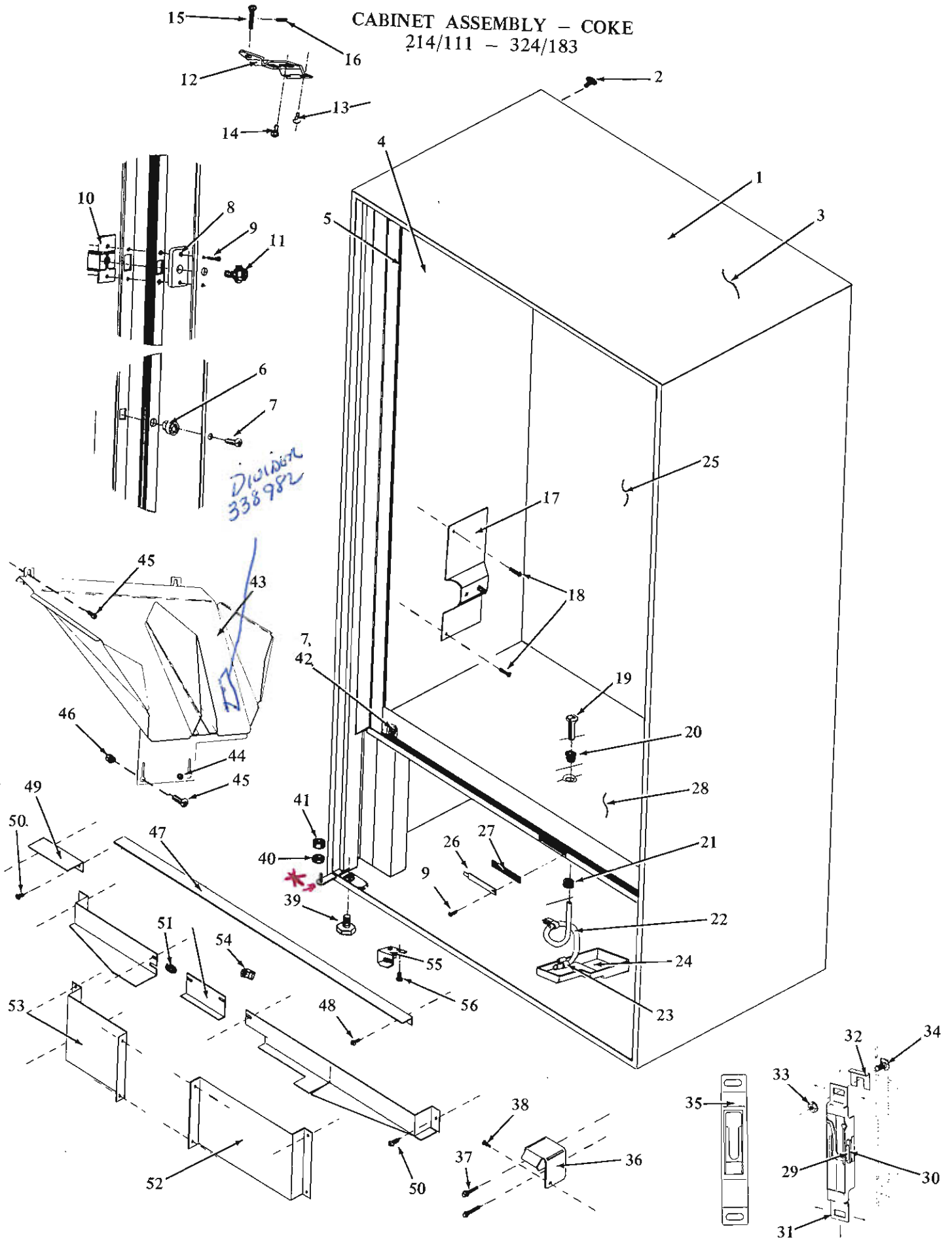
REFLECTOR ASSEMBLY 462/266 - 528/304



ITEM NO.	PART NO. 462/266	PART NO. 528/304	NO. REQ.	PART NAME AND DESCRIPTION
-	112930-7	115972-2	1	Reflector Assembly
1	341330-5	350106	1	Reflector
2	345005-1	345005-1	1	Plug - 2 Terminal
3	320196	320196	2	Terminal - Male
4	327699-2	327699-2	1	Bushing - Strain Relief
5	327675-2	See Note	2	Socket - Starter
6	342622	342622	A/R	Lamp Holder (2 Leads)
6	-	350632	2	Lamp Holder (3 Leads)
7	V800024	V800024	8	Machine Screw
8	V801329	-	4	Tapping Screw
8	-	V800082	4	Machine Screw
-	-	V800956	4	Hex Nut & Lock Washer
9	V800060	-	4	Machine Screw
10	41707	41707	A/R	Connector - Closed End (Small)
11	43842	43842	2	Connector - Closed End (Large)
12	V800496	V800496	4	Tapping Screw
13	341331	341331	2	End Bracket - Reflector
14	342621	342621	1	Strap - Adjustable
15	369518	350267	2	Lamp - Fluorescent
16	327146	350266	2	Ballast
17	327143	See Note	2	Starter
-	324099-2	324099-2	1	Clamp
-	V342624-1	V342624-1	1	Tapping Screw
18	V800622	V800622	4	Tapping Screw & Lock Washer

NOTE: This reflector system has the lamp starter incorporated into the ballast.

CABINET ASSEMBLY - COKE 214/111 - 324/183

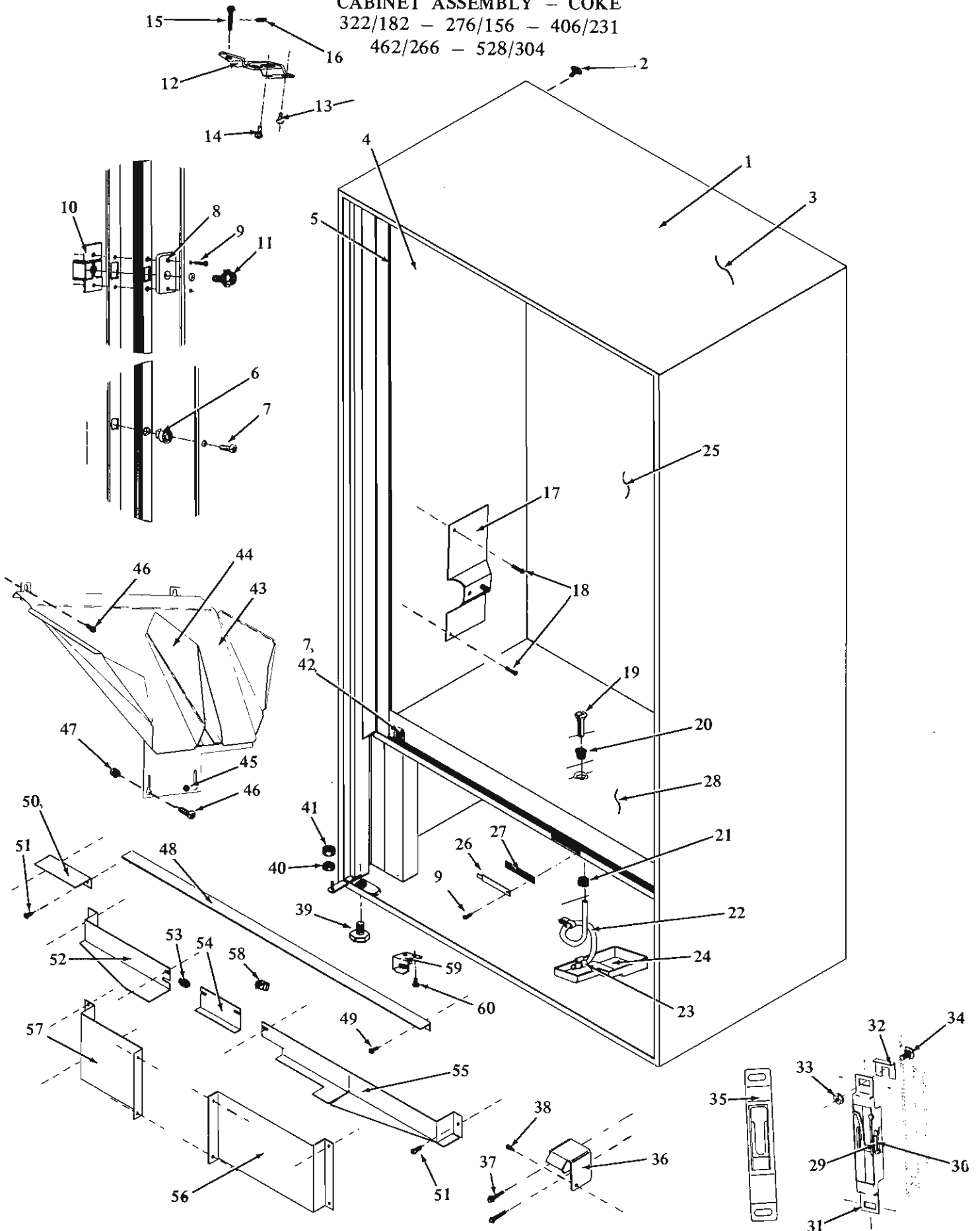


Vendo®

CABINET ASSEMBLY - COKE

322/182 - 276/156 - 406/231

462/266 - 528/304



CABINET ASSEMBLY -- COKE 214/111 -- 324/183

ITEM NO.	214/111 PART NO.	324/183 PART NO.	NO. REQ.	PART NAME AND DESCRIPTION
1	128927-7	131047-1	1	Cabinet Weld Assembly
2	380420	380420	5	Plugs
3	380741-2	380742-11	1	Cabinet Insulation
4	130870-6	130870-5	1	Liner Weld Assembly
5	377747	377747	A/R	Gasket
6	377746	377746	A/R	Snap In Nuts
7	V800876	V800876	A/R	Tapping Screws
8	369413	369413	2	Spacers
9	V800514	V800514	5	Tapping Screws
10	332497	332497	2	Nut Retainer
11	322829	322829	2	Hex Bolt & Lock Washer
12	365644-5	365644-5	1	Upper Hinge
13	V800836	V800836	2	Tapping Screws
14	V342624	V342624	1	Soft Drill Screw
15	365453	365453	1	Hinge Pin - Top
16	365454	365454	1	Set Screw for Hinge Pin
17	130869-2	130869-2	1	Mounting Plate for Left Side
-	130869-3	130869-3	1	Mounting Plate for Right Side
18	V800265	V800265	A/R	Hex Head Machine Screw
19	333985	333985	1	Drain Tube
20	333986	333986	1	Grommet
21	38132	38132	1	Grommet for Drain Tube
22	340061	340061	1	Drain Tubing
23	321304	321304	1	Clip
24	339840	339840	1	Condensate Pan
25	366186-2	366186-8	1	Insulation for Back of Cabinet
26	366092	366092	1	Closure Cap
27	368441	368441	1	Gasket
28	46212	46212	1	Clip - Tinnerman (Not Shown)
-	125510	125510	1	Cabinet Latch Assembly
29	368353	368353	1	Strike
30	366540	366540	1	Retainer
31	122751	122751	1	Cabinet Latch Weld Assembly
32	365567	365567	2	Spacer
-	365567-1	365567-1	2	Spacer
33	V800959	V800959	2	Hex Nut & Lock Washer
34	V801314	V801314	2	Carriage Bolt
35	383220	383220	1	Door Latch Strike (Use with Cam P/N 383219)
36	382956	382956	1	Door Lift
37	V801343	V801343	2	Tapping Screw
38	V801285	V801285	1	Tapping Screw
39	324386	324386	4	Leveling Serews
40	365822-1	365822-1	2	Hinge Spacer
41	365822	365822	2	Hinge Spacer
42	320975	320975	2	Snap In Nuts
43	131145	131145	1	Chute Weld Assembly
44	V342624	V342624	A/R	Self Drill Serew
45	V800639	V800639	A/R	Tapping Screw
46	V801415	V801415	A/R	Nut - Tinnerman
47	372371-1	372371-1	1	Extension
48	V800533	V800533	4	Tapping Screw
49	353107	353107	A/R	Angle - Plenum
50	V800552	V800552	A/R	Tapping Screw
51	43410	43410	1	Grommet - Rubber
52	371548	371548	1	Extension - Right Side
53	371549	371549	1	Extension - Left Side
54	914161	914161	1	Clip
55	344680	344680	1	Bracket
56	V800819	V800819	3	Tapping Screw
-	372370	372370	2	Vertical Angle Plenum - Not Shown

A/R - As Required

* P/N 379289 Hinge Casting
P/N 365841 Plate
P/N 365008-1 Pin

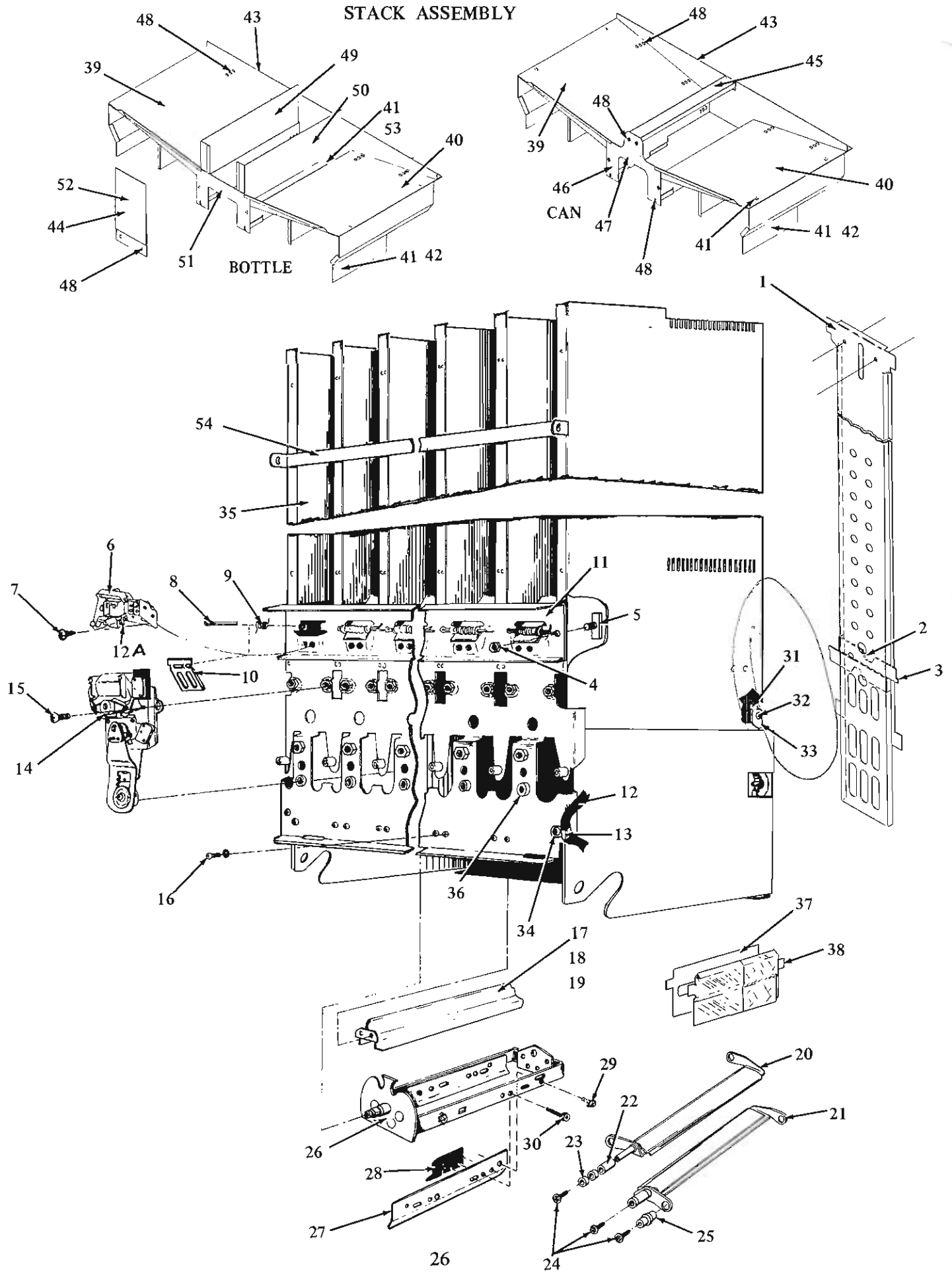


CABINET ASSEMBLY – COKE
322/182 – 276/156 – 406/231 – 462/266 – 528/304

ITEM NO.	322/182 PART NO.	276/156 PART NO.	406/231 PART NO.	462/266 PART NO.	528/304 PART NO.	NO. REQ.	PART NAME AND DESCRIPTION
1	131120-1	131120-1	131121-1	130747-1	131245-1	1	Cabinet Weld Assembly
2	380420	380420	380420	380420	380420	5	Plugs
3	380741-12	380741-12	380741-13	380741-10	380741-7	1	Cabinet Insulation
4	130925-1	130925-1	130925-2	130925	130870	1	Liner Weld Assembly
5	377747	377747	377747	377747	377747	A/R	Gasket
6	377746	377746	377746	377746	377746	A/R	Snap In Nuts
7	V800876	V800876	V800876	V800876	V800876	A/R	Tapping Screws
8	369413	369413	369413	369413	369413	2	Spacers
9	V800514	V800514	V800514	V800514	V800514	5	Tapping Screws
10	332497	332497	332497	332497	332497	2	Nut Retainer
11	322829	322829	322829	322829	322829	2	Hex Bolt & Lock Washer
12	365644-5	365644-5	365644-5	365644-5	365644-5	1	Upper Hinge
13	V800836	V800836	V800836	V800836	V800836	2	Tapping Screws
14	V342624	V342624	V342624	V342624	V342624	1	Soft Drill Screw
15	365453	365453	365453	365453	365453	1	Hinge Pin - Top
16	365454	365454	365454	365454	365454	1	Set Screw for Hinge Pin
17	383019	383019	383019	383019	130869	1	Mounting Plate for Left Side
-	383019	383019	383019	383019	130869-1	1	Mounting Plate for Right Side
18	V800401	V800401	V800401	V800401	322829	A/R	Hex Head Machine Screw
19	333985	333985	333985	333985	333985	1	Drain Tube
20	333986	333986	333986	333986	333986	1	Grommet
21	38132	38132	38132	38132	38132	1	Grommet for Drain Tube
22	340061	340061	340061	340061	340061	1	Drain Tubing
23	321304	321304	321304	321304	321304	1	Clip
24	339840	339840	339840	339840	339840	1	Condensate Pan
25	380741-12	380741-12	380741-13	380741-10	380741-7	1	Insulation for Back of Cabinet
26	366092	366092	366092	366092	366092	1	Closure Cap
27	368441	368441	368441	368441	368441	1	Gasket
28	46212	46212	46212	46212	46212	1	Clip - Tinnerman (Not Shown)
-	125510	125510	125510	125510	125510	1	Cabinet Latch Assembly
29	368353	368353	368353	368353	368353	1	Strike
30	366540	366540	366540	366540	366540	1	Retainer
31	122751	122751	122751	122751	122751	1	Cabinet Latch Weld Assembly
32	365567	365567	365567	365567	365567	2	Spacer
-	365567-1	365567-1	365567-1	365567-1	365567-1	2	Spacer
33	V800959	V800959	V800959	V800959	V800959	2	Hex Nut & Lock Washer
34	V801314	V801314	V801314	V801314	V801314	2	Carriage Bolt
35	383220	383220	383220	383220	383220	1	Door Latch Strike (Use with Cam P/N 383219)
36	382956	382956	382956	382956	382956	1	Door Lift
37	V801343	V801343	V801343	V801343	V801343	2	Tapping Screw
38	V801285	V801285	V801285	V801285	V801285	1	Tapping Screw
39	324386	324386	324386	324386	324386	4	Leveling Screws
40	365822-1	365822-1	365822-1	365822-1	365822-1	2	Hinge Spacer
41	365822	365822	365822	365822	365822	2	Hinge Spacer
42	320975	320975	320975	320975	320975	2	Snap On Nuts
43	130931-2	130931	130931-2	130931-2	-	1	Chute Weld Assembly
43	-	-	-	-	130871	2	Chute Weld Assembly
44	371529	336831	371529	371529	383982	1	Bottle Deflector
45	V342624	V342624	V342624	V342624	V342624	A/R	Self Drill Screw
46	V800641	V800641	V800641	V800641	V800641	A/R	Tapping Screw
47	V801415	V801415	V801415	V801415	V801415	A/R	Nut - Tinnerman
48	372371-2	372371-2	372371-2	372371-2	374946-1	1	Extension - Evaporator for Right Side
49	V800552	V800552	V800552	V800552	V800533	4	Tapping Screw
50	-	-	-	-	353107	A/R	Angle - Plenum
50	382847	382847	382847	382847	-	1	Angle Plenum - Left Side
50	382847-1	382847-1	382847-1	382847-1	-	1	Angle Plenum - Right Side
51	V800552	V800552	V800552	V800552	V800552	A/R	Tapping Screw
52	-	-	-	-	371824	1	Extension - Evaporator for Left Side
53	43410	43410	43410	43410	43410	1	Grommet - Rubber
54	-	-	-	-	345064-1	1	Air Baffle
55	-	-	-	-	344961-1	1	Extension - Evaporator Right Side
56	371550	371550	371550	371550	328574	1	Extension - Right Side
57	371551	371551	371551	371551	371825	1	Extension - Left Side
58	914161	914161	914161	914161	914161	1	Clip
-	371546	371546	371546	371546	-	1	Cover Plate (Not Shown)
59	344680	344680	344680	344680	-	1	Bracket
60	V800819	V800819	V800819	V800819	-	3	Tapping Screw

A/R – As Required

STACK ASSEMBLY



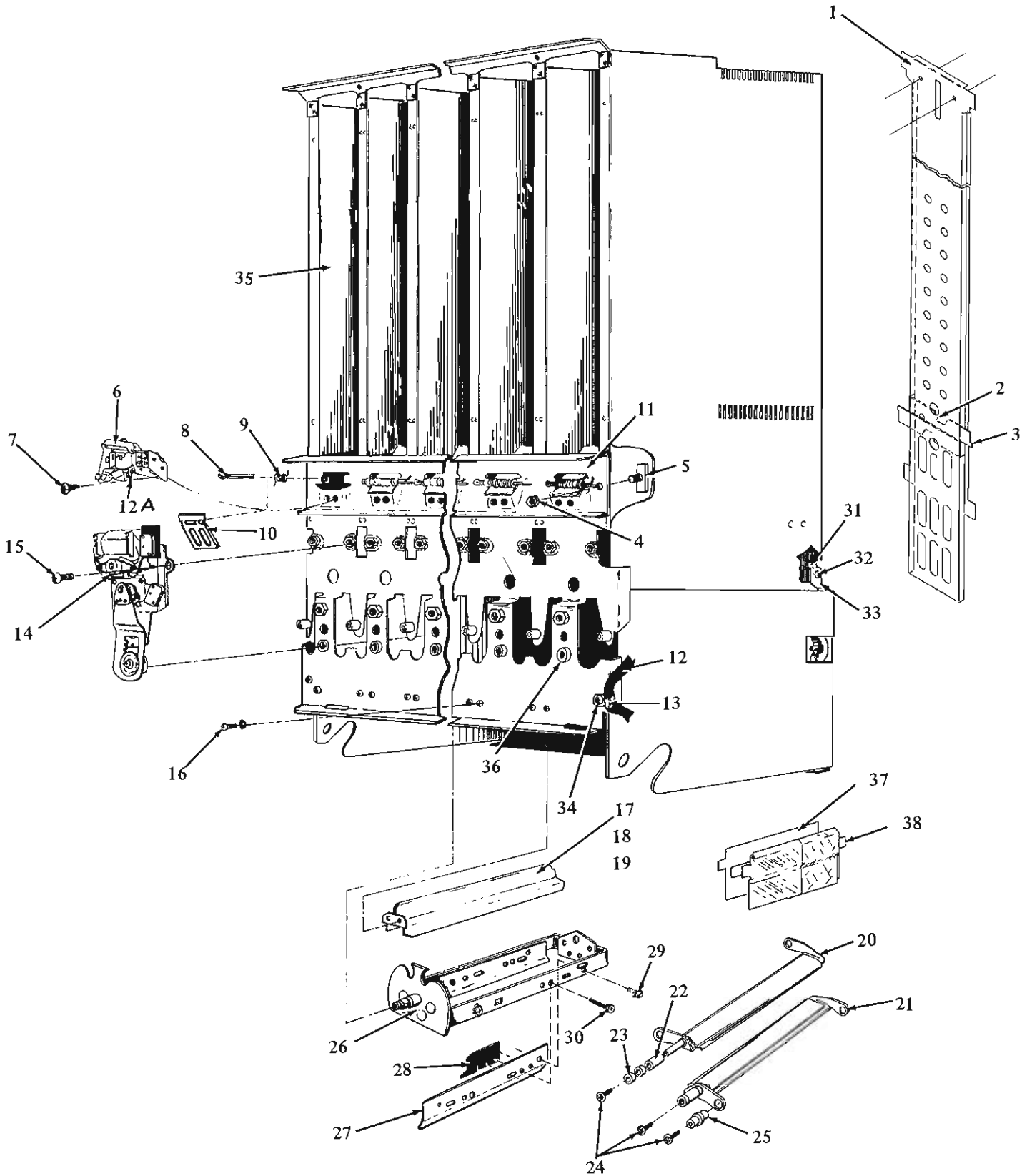


STACK ASSEMBLY

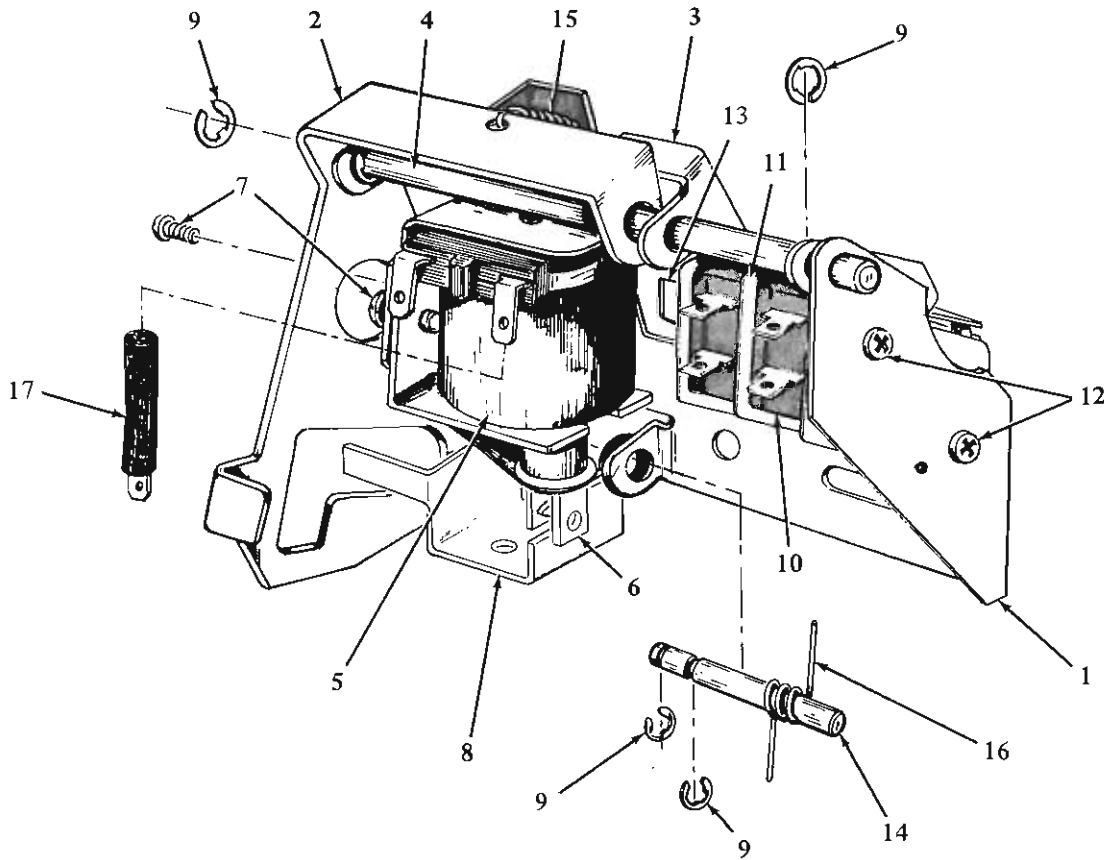
ITEM NO.	214/111 PART NO.	324/183 PART NO.	NO. REQ.	PART NAME AND DESCRIPTION
-	130878-13	130878-7	1	Stack Final Assembly (Bottle)
-	130879-13	130879-7	1	Stack Final Assembly (Can)
1	130868-3	130868-1	5	Back Spacer Assembly
2	359367	359367	1	Latch Spring (Not Shown)
3	370778	370778	2	Latch Slide
4	V800952	V800952	3	Hex Nut with Lock Washer
5	V328761	V328761	3	Tee Bolt
-	124263-13	124263-13	1	Sold Out Channel Assembly
6	124264	124264	5	Lock-Out Assembly (See Page 31)
7	V800851	V800851	A/R	Tapping Screw (AP for Item 6)
8	V801111	V801111	5	Cotter Pin
9	322981	322981	5	Spring
10	379312	379312	5	Lever - Sold-Out
11	370718-1	370718-1	1	Channel - Sold-Out
12	124535	124535	1	Harness Assembly (See Page 32)
12A	371051	371051	5	Diode (See Page 31)
13	324099-13	324099-13	1	Clamp (AP for Item 12)
14	124553	124553	5	Motor (See Page 30)
15	V800267	V800267	A/R	Screw (AP for Item 14)
16	V800639	V800639	A/R	Screw (AP for Item 17)
17	370500	370500	4	Product Retainer
18	370739	370739	1	Product Retainer - L.H. (Not Shown)
19	370739-1	370739-1	1	Product Retainer - R.H. (Not Shown)
-	123916-1	123916-1	5	Shelf Assembly - L.H.
-	124255-1	124255-1	5	Shelf Assembly - R.H.
20	123915	123915	5	Shelf Rivet Assembly - L.H.
21	123915-1	123915-1	5	Shelf Rivet Assembly - R.H.
22	370756	370756	10	Bearing (Needle)
23	370714	370714	A/R	Spacer
24	370780	370780	A/R	Screw (Washer Head)
25	336837	336837	6	Bushing
26	123947	123947	5	Bail (Rivet Assembly)
27	370736	370736	A/R	Spacer (Bottles)
28	376631-1	376631-1	A/R	Spacer (Cans)
29	372461	372461	A/R	Screw (AP for Item 27)
30	372461-1	372461-1	A/R	Screw (AP for Item 28)
31	370856	370856	10	Support (AP for Items 37 & 38)
32	V800060	V800060	A/R	* Screw (AP for Item 31)
33	V800955	V800955	A/R	Nut with Lock Washer (AP for Item 31)
34	V800641	V800641	1	Screw (AP for Item 13)
35	131127-1	131127	1	Stack Weld Assembly
36	370927	370927	5	Bearing (Staked In)
37	370864	370864	A/R	Spacer (Shim)
38	106284-1	106284-1	A/R	Spacer (Weld) L.H.
-	106284-2	106284-2	A/R	Spacer (Weld) R.H.
39	131151	131151	1	Shelf - L.H.
40	131151-1	131151-1	1	Shelf - R.H.
41	V800457	V800457	4	Screw (Not Shown)
42	352837	352837	4	Nut - Tinnerman (Not Shown)
43	383393	383393	1	Shelf Retainer
44	383444	383444	4	Back Spacer Extension - Bottle & Can (Other than Center Column)
45	383399	383399	1	Upper Guide (Cans)
46	383441	383441	1	Shelf Spacer (Cans)
47	383364	383364	1	Label (Cans)
48	V800570	V800570	10	Screw
49	383415	383415	1	Retainer (Bottle) L.H.
50	383416	383416	1	Retainer (Bottle) R.H.
51	383443	383443	1	Shelf Spacer (Bottle)
52	383417	383417	1	Back Spacer Extension - Bottle (Center Column only)
53	V800952	V800952	4	Nut (AP for Items 49 & 50)
54	376649	376649	1	Column Brace
-	370782-1	370782-1	1	Mechanism Cover (Not Shown)

A/R - As Required

STACK ASSEMBLY

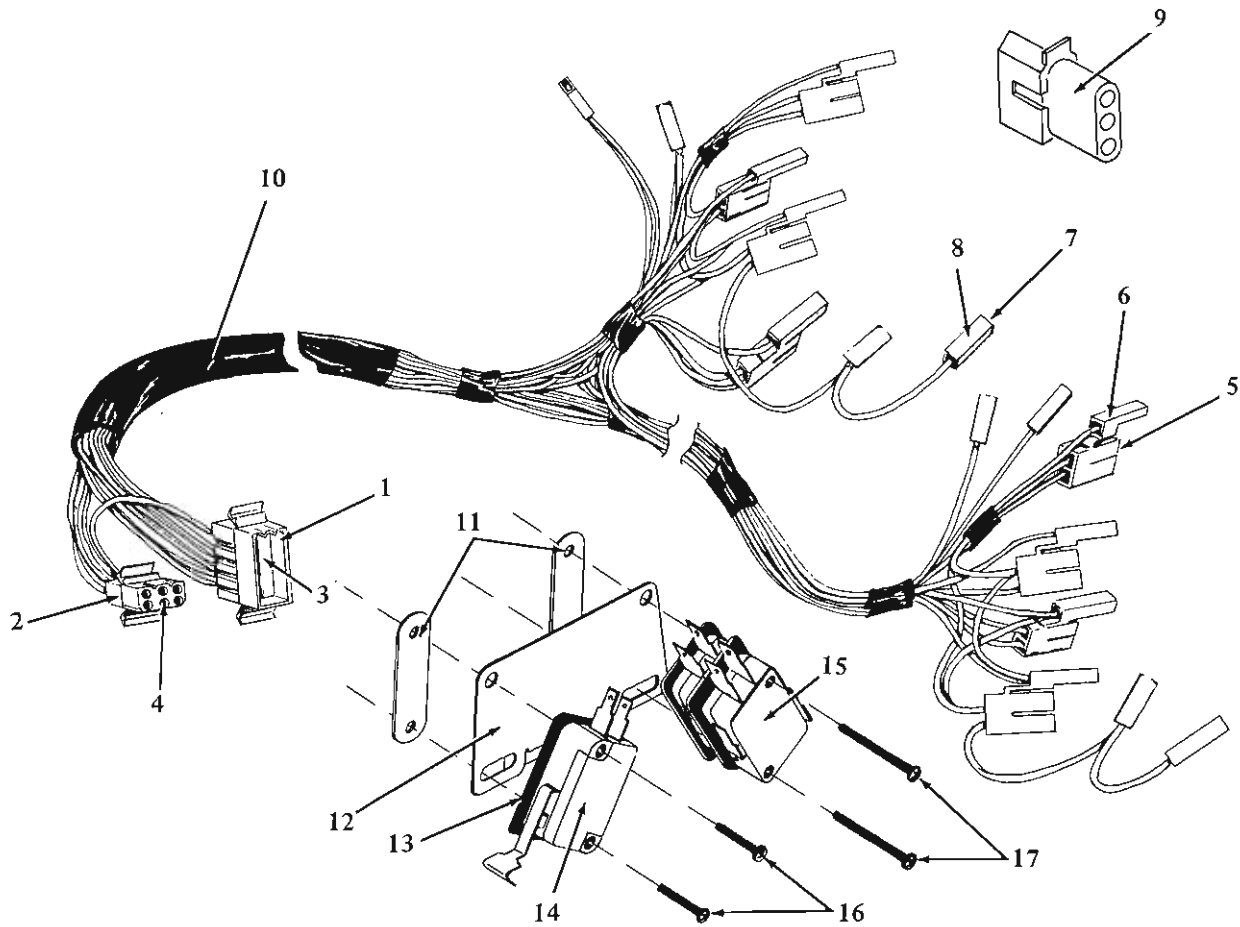


LOCK OUT/SOLD OUT ASSEMBLY



ITEM NO.	PART NO.	NO. REQ.	PART NAME AND DESCRIPTION
-	124264	A/R	Lock Out/Sold Out Assembly
1	370719	1	Base - Lock Out
2	370720	1	Latch - Lock Out
3	370721	1	Actuator - Switch
4	370723	1	Pin - Latch
5	371053	1	Solenoid
6	369199	1	Plunger - Solenoid
7	V800329	2	Machine Screw
8	370722	1	Link Rivet Assembly
9	V801070	5	Retainer Ring
10	D10-8085	2	Switch - Lock Out/Sold Out
11	370781	3	Insulator - Switch
12	V800032	2	Machine Screw
13	337588-1	1	Plate - Switch Screw
14	370723-1	1	Pin - Latch
15	600656	1	Acceptor Latch Spring
16	371678	1	Spring - Torsion
17	371051	A/R	Diode Module

VEND MECHANISM HARNESS ASSEMBLY – SEQUENCER ASSEMBLY



ITEM NO.	214/111 324/183 PART NO.	276/156 PART NO.	322/182 406/231 462/266 PART NO.	528/304 PART NO.	NO. REQ.	PART NAME AND DESCRIPTION
-	124535	124536	131164	131165	1	Harness for Vend Mechanism
1	345006-1	345006-1	345006-1	345006-1	1	Plug - 15 Terminal
2	345738	345738	-	-	1	6 Terminal Receptacle
2	-	-	345004	-	1	9 Terminal Receptacle
2	-	-	-	345740	1	12 Terminal Receptacle
3	320196	320196	320196	320196	14	Terminal Male
4	320195	320195	320195	320195	A/R	Terminal Female
5	360805	360805	360805	360805	A/R	Terminal
6	360806	360806	360806	360806	A/R	Cover Terminal (Triple)
7	336138	336138	336138	336138	A/R	Terminal
8	489202	489202	489202	489202	A/R	Cover Terminal
9	-	-	345734-1	345734-1	1	3 Terminal Receptacle
10	V801167	V801167	V801169	V801169	A/R	Plastic Tubing
-	-	-	131168	131168	1	Sequencer Assembly
11	-	-	337588-1	337588-1	2	Screw Plate
12	-	-	371576	371576	1	Bracket for Switches
13	-	-	340025	340025	3	Insulators
14	-	-	337576	337536	1	Switch
15	-	-	351521	351521	1	Switch (Double)
16	-	-	V800027	V800027	2	Machine Screws for P/N 337576
17	-	-	V800032	V800032	2	Machine Screws for P/N 351521
-	-	-	131166	131166	1	Sequencer Harness Assembly (Not Shown)

A/R - As Required



REFRIGERATION ASSEMBLY

ITEM NO.	PART NO. 324/183 214/111	PART NO. 462/266 406/231 322/182 276/156	PART NO. 528/304	NO. REQ.	PART NAME AND DESCRIPTION
-	114001	116504	116157	1	Refrigeration Assembly (Replacement Assembly)
1	V800836	V800836	V800836	2	Tapping Screw (AP for Item 2)
2	118887-2	118887-3	118887-4	1	Condenser - Fan Assembly
3	358154-1	358154-1	358154-1	1	Bracket - Motor Mounting
4	42321-35	42321-36	42321-29	1	Motor - Condenser - Fan
5	V800371	V800371	V800371	4	Machine Screw & Lock Washer (AP for Items 3 & 4)
6	42329	42329	42329	1	Blade - Condenser Fan
-	V42323	V42323	V42323	1	Speed Nut (AP for Item 6)
7	343871	351172	329126	1	Shroud (Top)
8	336640	336640	-	2	Clip - Retainer (AP for Item 7)
-	V800499	-	-	A/R	Tapping Screw (AP for Item 7)
9	343852-900	350988-900	350485-900	1	Compressor *Part of the Sealed Refrigeration System
10	344308	344308	344298	1	Cover - Terminal
11	344306	344306	344286	1	Bale Strap (AP for Item 10)
12	344305	344305	344285	1	Overload Tension Spring (Not Shown)
13	333894-6	333894-15	344292-3	1	Relay - Starting
14	45052-12	45052-27	45052-25	1	Protector - Overload
15	344105	344105	344297	1	Compressor Cord
16	343874	343874	-	A/R	Spring Clip
16	-	-	V800948	4	Hex Nut & Lock Washer
17	323090-1	323090-1	323090	4	Grommet - Rubber
18	343872	343872	343873	A/R	Compressor Mounting Studs (AP for Compressor)
19	V800949	V800949	V800949	A/R	Hex Nut & Lock Washer
20	V800267	V800267	V800234	A/R	Machine Screws
21	916923	916923	-	2	Double Speed Nuts
21	-	-	V800947	2	Hex Nut & Lock Washer
22	343839	343839	343839	1	Base - Refrigeration
23	V800512	V800512	V800512	1	Tapping Screw (AP for Item 24)
24	363670-1	363670-1	363670	1	Service Cord Assembly
25	345008	345008	345008	1	Receptacle - 2 Terminal
26	320195	320195	320195	2	Terminals - Female
27	44617	44617	44617	2	Terminals - Female
28	341203	341203	341203	2	Covers - Terminal
29	-	-	44485	2	Wire Connector (Closed End)
30	V800664	V800664	V800664	1	Tapping Screw (AP for Ground Wire)
31	V800892	V800892	V800892	2	Machine Screw Nuts (AP for Wiring Inside)
32	334052-1	334052-1	334052-1	1	Bracket - Service Cord
33	V800664	V800664	V800664	2	Tapping Screw (AP for Item 32)
34	342099-6	342099-6	342099-4	1	Harness Clamp
35	V800539	V800539	V800539	A/R	Tapping Screw (AP for Item 34)
36	321716	321716	328577	1	Extension - Evaporator (Top)
37	V800539	V800539	V800539	A/R	Tapping Screws (AP for Item 36)
38	359175	371551	328574	1	Extension - Evaporator (Right)
39	V800539	V800539	V800539	A/R	Tapping Screws (AP for Item 38)
40	332531-7	332531-7	-	1	Bushing - Snap On
41	359174	371550	371825	1	Extension - Evaporator (Left)
42	320236	320236	328576	1	Orifice - Evaporator Fan
43	V800503	V800503	V800503	4	Tapping Screw (AP for Item 42)
44	320266	320266-1	328578	1	Bracket - Evaporator Motor
-	V800503	V800503	V800503	A/R	Tapping Screw (AP for Item 44)
45	42321-12	42321-13	42321-17	A/R	Motor - Evaporator Fan
46	V800371	V800371	V800371	A/R	Machine Screw & Lock Washer (AP for Item 45)
47	44190	323069	328579	A/R	Fan Blade
-	V42323	V42323	V42323	A/R	Speed Nut - Fan Blade (AP for Item 47)
48	42127	42127	42127	1	Bracket - Control
49	V800539	V800539	V800539	2	Tapping Screw (AP for Item 48)
50	368794	368794	368794	1	Temperature Control
51	V800354	V800354	V800354	2	Machine Screw & Lock Washer (AP for Item 50)
-	-	-	344744	1	Capacitor (Not Shown)
-	-	-	114123	1	Harness - Overload (Not Shown)
					(AP - Attaching Part)

*Shipped With Oil and Electrical Components.



FLAVOR STRIPS

370948	Coca-Cola	370948-33	Fanta Orange Soda in 12 Oz. Cans
370948-1	Sprite	370948-34	Fresca in 12 Oz. Cans
370948-2	Orange	370948-35	Fresca King Size
370948-3	Root Beer	370948-40	Cherry
370948-4	Strawberry	370948-41	Blank (No Text)
370948-5	Grape	370948-42	Fanta Red Cream Soda
370948-6	Ginger Ale	370948-43	Orange in 12 Oz. Cans
370948-7	Lemon-Lime	370948-44	Root Beer in 12 Oz. Cans
370948-8	Tab	370948-45	Strawberry in 12 Oz. Cans
370948-9	King Size Coca-Cola	370948-46	Grape in 12 Oz. Cans
370948-10	Fanta Draft Root Beer	370948-47	Ginger Ale in 12 Oz. Cans
370948-11	Fanta Grape Soda	370948-48	Lemon-Lime in 12 Oz. Cans
370948-12	Fanta Strawberry Soda	370948-95	Fanta King Size Grape Soda
370948-13	Fanta Orange Soda	370948-96	Fanta Grape Soda in 12 Oz. Cans
370948-14	Fanta Lemon-Lime	370948-97	Fanta King Size Draft Root Beer
370948-15	Fanta Ginger Ale	370948-98	Fanta King Size Red Cream Soda
370948-16	Fanta Grapefruit Soda	370948-99	Fanta Red Cream Soda in 12 Oz. Cans
370948-17	Fanta King Size Orange Soda	370948-100	Fanta King Size Black Cherry Soda
370948-18	Fanta King Size Ginger Ale	370948-101	Fanta Blk. Cherry Soda in 12 Oz. Cans
370948-19	Fanta King Size Lemon-Lime Soda	370948-102	Fanta Ginger Ale in 12 Oz. Cans
370948-20	Fanta King Size Grapefruit Soda	370948-103	Fanta Quinine Water in 12 Oz. Cans
370948-21	Fanta King Size Imitation Orange Soda	370948-104	Fanta King Size Club Soda
370948-22	Fanta Imit. Org. Soda in 12 Oz. Cans	370948-108	Simba
370948-23	Chime	370948-109	Simba King Size
370948-24	Fresca	370948-111	Simba in 12 Oz. Cans
370948-25	Coca-Cola in 12 Oz. Cans	370948-134	Mr. Pibb
370948-26	Fanta Imit. Grape Soda in 12 Oz. Cans	370948-150	Cream Soda
370948-27	Sprite King Size	370948-151	Lemon
370948-28	Sprite in 12 Oz. Cans	370948-152	Lime
370948-29	Fanta Draft Root Beer in 12 Oz. Cans	370948-161	Cream Soda in 12 Oz. Cans
370948-30	Fanta Lemon-Lime in 12 Oz. Cans	370948-162	Red Cream Soda in 12 Oz. Cans
370948-31	Fanta Strawberry in 12 Oz. Cans		
370948-32	Fanta Orange		

NEW DESIGN FLAVOR STRIPS

383456	Coca-Cola
383456-1	Fresca
383456-2	Sprite
383456-3	Sugar-Free Sprite
383456-4	Tab
383456-5	Mr. Pibb
383456-6	Sugar Free Mr. Pibb
383456-7	Fanta Grape
383456-8	Fanta Orange
383456-9	Fanta Root Beer
383456-10	Mello Yello
383456-11	Hi-C Orange
383456-12	Hi-C Grape
383456-13	Hi-C Lemonade
383456-14	Hi-C Red Punch



COINAGE LABELS

PART NO.	DESCRIPTION
371001	10¢ Deposit Dime or 2 Nickels
371001-1	10¢ Deposit 2 Nickels, Dime or Quarter
371001-2	15¢ Deposit 3 Nickels, or 1 Nickel and 1 Dime
371001-3	15¢ Deposit Dime and Nickel, 3 Nickels, 2 Dimes or Quarter
371001-4	20¢ Deposit 2 Dimes, Dime and 2 Nickels or 4 Nickels
371001-5	20¢ Deposit 2 Dimes, Dime and 2 Nickels or 4 Nickels or Quarter
371001-6	25¢ Deposit Nickel and 2 Dimes, Dime and 3 Nickels, 5 Nickels or Quarter
371001-7	30¢ Deposit Nickels, Dimes or Quarters. Receive Change Below.
371001-8	35¢ Deposit Nickels, Dimes or Quarters. Receive Change Below.
371001-9	40¢ Deposit Nickels, Dimes or Quarters. Receive Change Below.
371001-10	45¢ Deposit Nickels, Dimes or Quarters. Receive Change Below.
371001-11	50¢ Deposit Nickels, Dimes or Quarters. Receive Change Below.
371001-27	20¢ Deposit Nickels, Dimes or Quarters. Change Returned Below.
371001-28	25¢ Deposit Nickels, Dimes or Quarters. Change Returned Below.
371001-29	30¢ Deposit Nickels, Dimes or Quarters. Change Returned Below.
372474	Label-Cans (Served in Cans)

- 28 25

