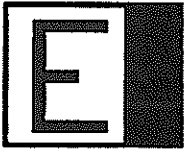
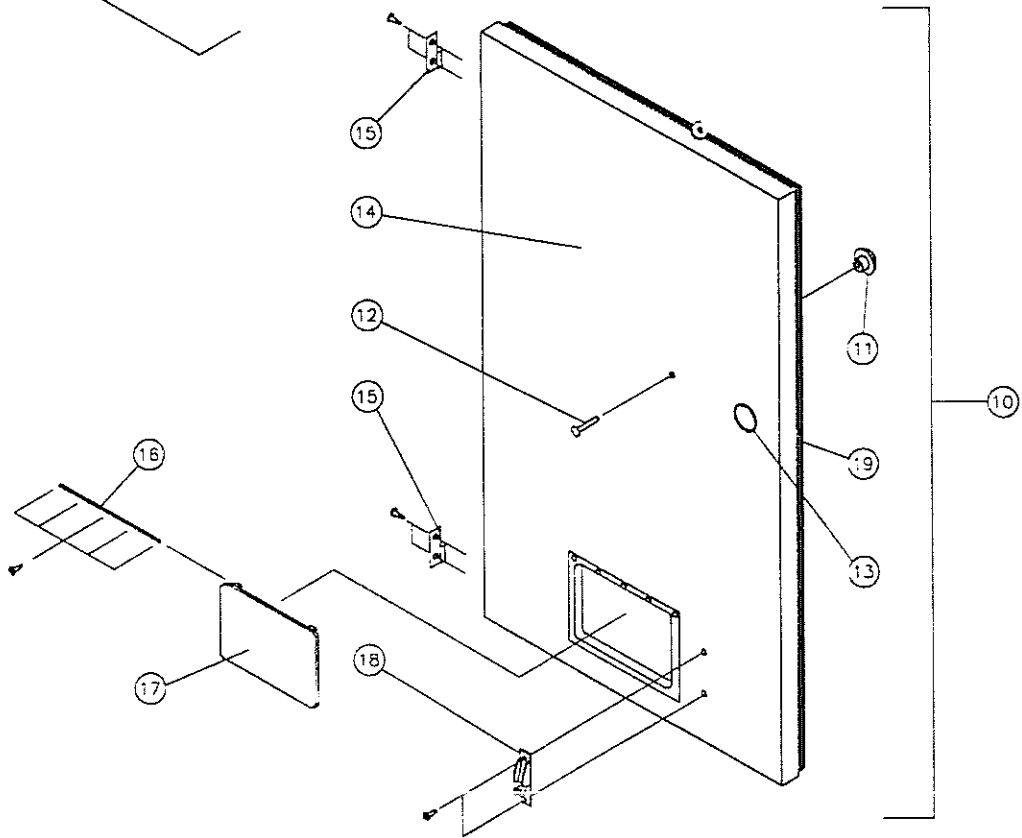
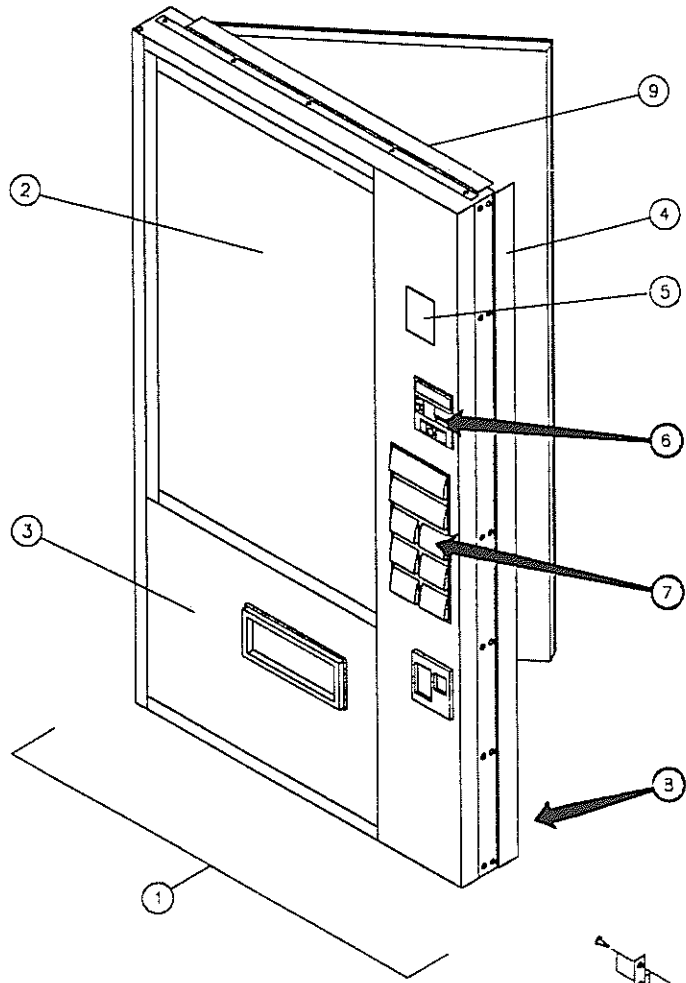


“UNIVENDOR”  
TRADE 3D  
PARTS SECTION

390150 E



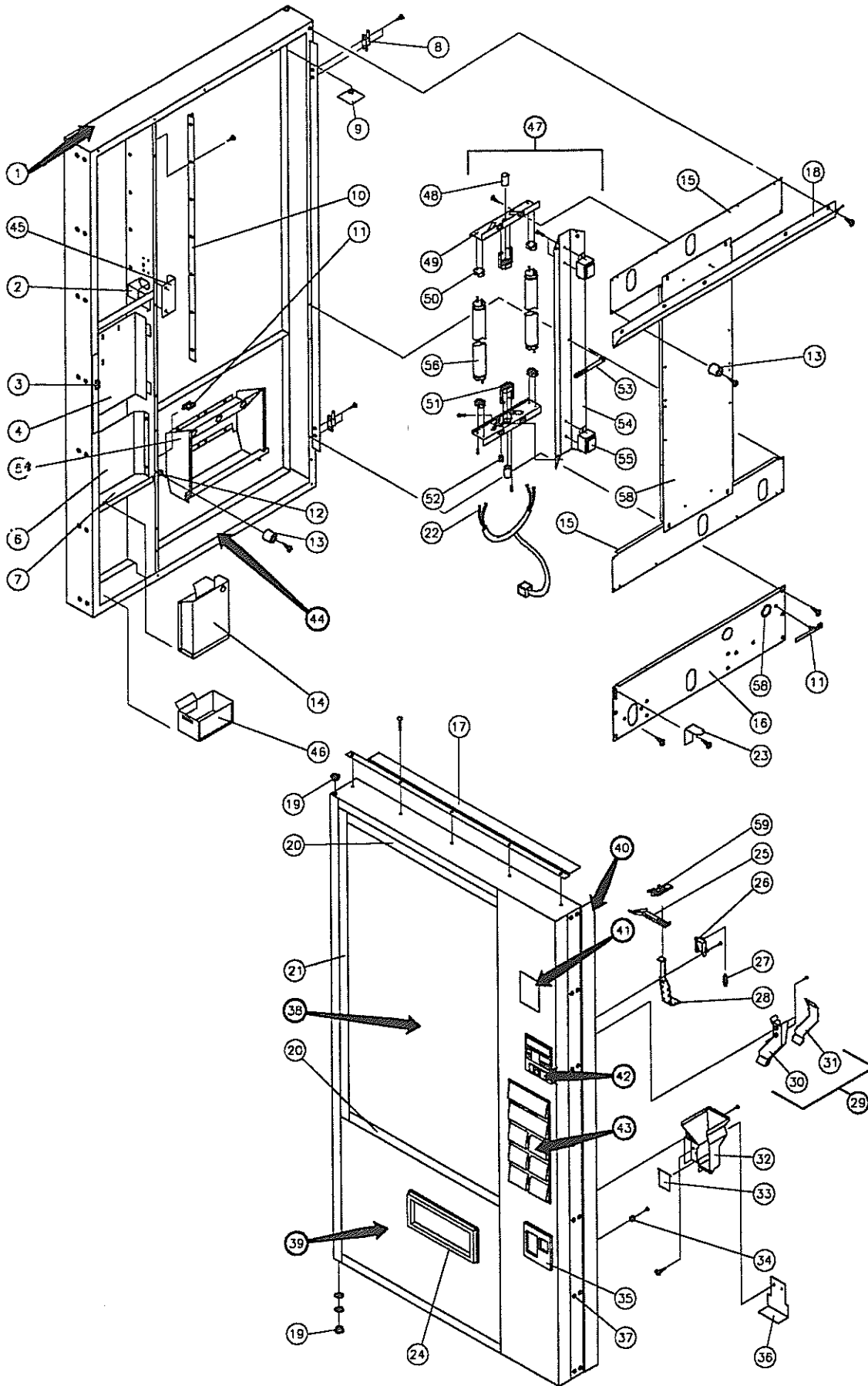


"UNIVENDOR"® TRADE MAIN DOOR - FLAT

ITEM NO.	PART NAME & DESCRIPTION	REQ.	MODEL NUMBER →		ITEM LETTER
			510 - 516	600 - 606	
			PART NO.	PART NO.	
1 *	OUTER DOOR ASSEMBLY - BLACK	1	133535-5	133535-6	
~	OUTER DOOR ASSEMBLY - BROWN	1	133535-8	133535-7	
~	OUTER DOOR ASSEMBLY - WHITE	1	133535-10	133535-9	
2	SIGN FACE	1	388461-20	388457-9	
3 *	LOWER PANEL - BLACK	1	134765-2	134765-2	
~	LOWER PANEL - BROWN	1	134765-4	134765-4	
~	LOWER PANEL - WHITE	1	134765-7	134765-7	
4 *	DOOR GUARD - BLACK	1	133629-4	133629-3	
~	DOOR GUARD - BROWN	1	133629-23	133629-9	
~	DOOR GUARD - WHITE	1	133629-22	133629-8	
5 *	VALIDATOR PLUG - BLACK	1	133539-2	133539-2	□□
~	VALIDATOR PLUG - BROWN	1	133539-4	133539-4	
~	VALIDATOR PLUG - WHITE	1	133539-7	133539-7	
~	VALIDATOR GASKET (NOT SHOWN)	1	388846	388846	
~	STAND OFF NUT (NOT SHOWN)	1			
6	"T" HANDLE ASSY.-SEE PG. E-14	1	~	~	
7	SELECTION PANEL-SEE PG. E-14	1	~	~	
8 *	DOOR HARNESS -SEE PG. A-4	1	~	~	
9	DOOR FRAME WELD - BLACK	1	133537-11	133537-10	
~	DOOR FRAME WELD - BROWN	1	133537-32	133537-33	
~	DOOR FRAME WELD - WHITE	1	133537-25	133537-24	
10	INNER DOOR ASSEMBLY (FINAL)	1	134302-3	134302-4	
11	KNOB INNER DOOR	1	388305	388305	
12	CARRIAGE BOLT HANDLE	1	V329258	V329258	
13	GROMMET	2	388090	388090	
14	INNER DOOR PANEL	1	133438-1	133438	
15	HINGE - INNER DOOR	2	388148	388148	CC
16	HINGE PIN	1	389985	389985	C
17	DELIVERY EYELET DOOR	1	387270	387270	
18	LATCH MECHANISM	1	388435	388435	CC
19	INNER DOOR GASKET-SEE PG. A-5	1	~	~	

NOTE: ITEM LETTER "HARDWARE" LISTED ON PAGE A-14

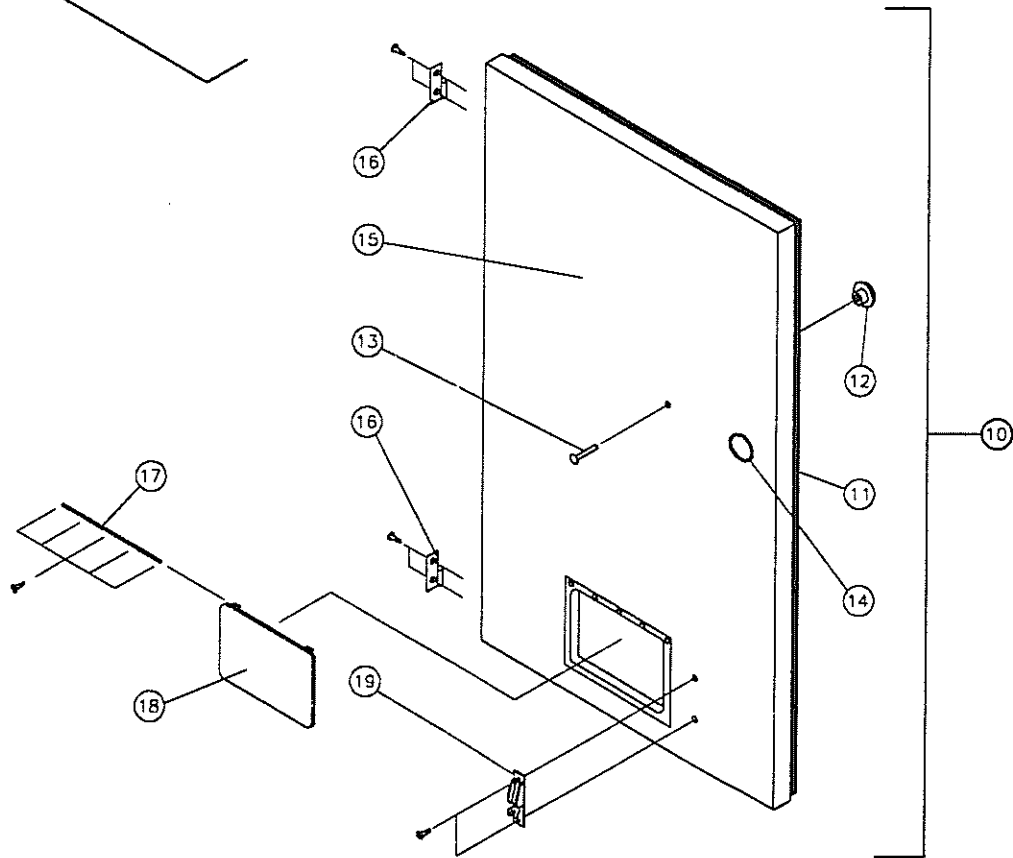
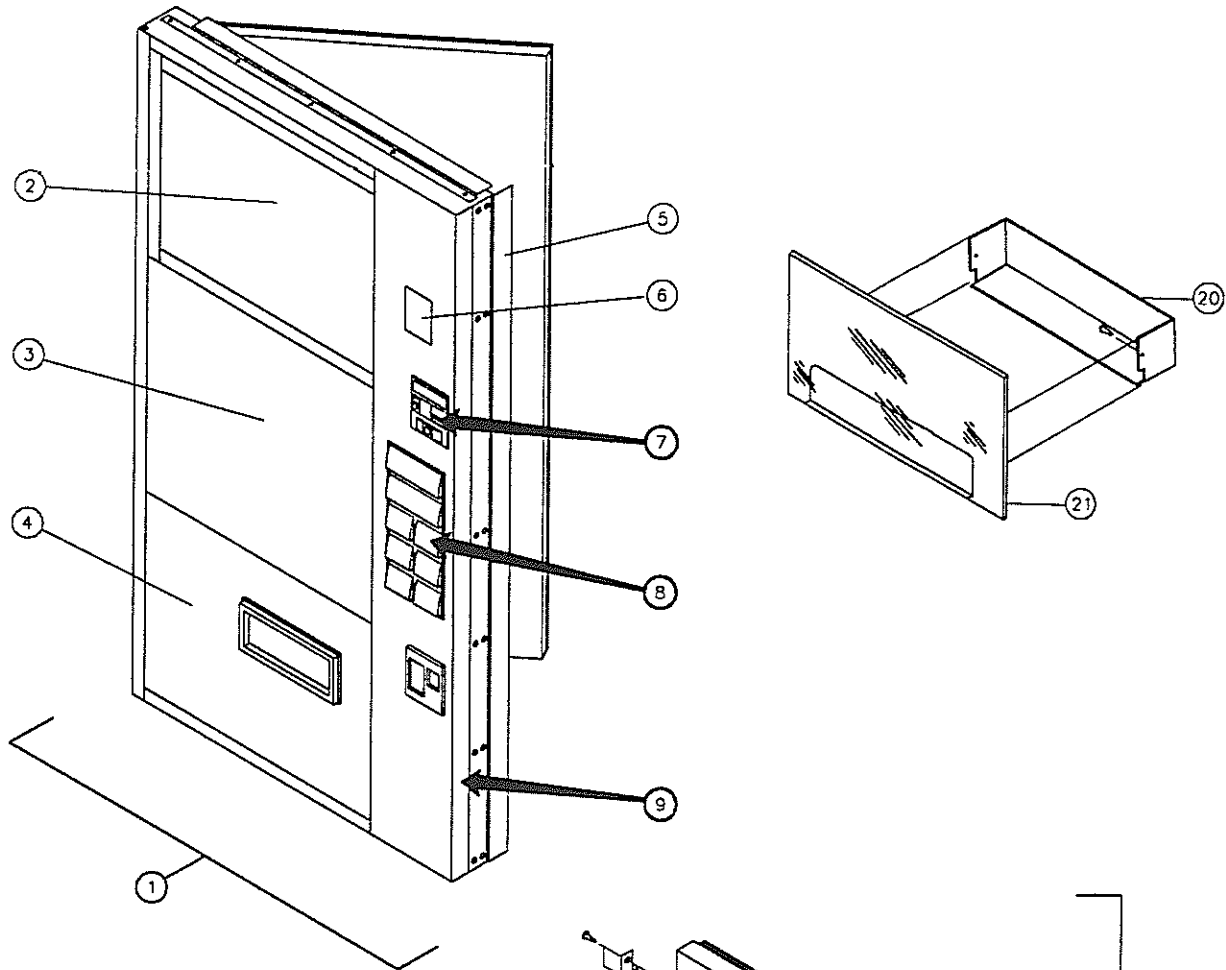
\* NOTE: WHEN ORDERING PART SPECIFY COLOR AND/OR FRANCHISE



"UNIVENDOR" TRADE OUTER DOOR - FLAT

ITEM NO.	PART NAME & DESCRIPTION	MODEL NUMBER →		REQ.	PART NO.	PART NO.	ITEM LETTER
		510 - 516	600 - 606				
1	OUTER DOOR ASSY.-SEE PG. E-2	1	~	1	~	~	
2	CREDIT RELAY	1	353343	1	353343	353343	
3	LATCH - COINAGE DOOR	1	389612	1	389612	389612	
4	COINAGE DOOR ASSEMBLY	1	388127	1	388127	388127	CC, E
5	DELIVERY HOPPER ASSEMBLY	1	133574	1	133574	133574	
6	BARRIER PANEL	1	388244	1	388244	388244	CC
7	BULKHEAD	1	388119	1	388119	388119	
8	HINGE - INNER DOOR	2	388149	2	388149	388149	CC
9	BACKING PLATE	1	388443	1	388443	388443	
10	SIGN RETAINER	1	389431-3	1	389431-3	389431-1	CC
11	TIE DOWN PANEL MOUNT	A/R	388359-1	1	388359-1	388359-1	
12	STRIKE	1	388433	1	388433	388433	
13	BUMPER - DOOR	1	369466	1	369466	369466	CC
14	COIN BOX	1	133563	1	133563	133563	
15	CROSS STRAP (ONE REVERSED)	2	388497	2	388497	388497	CC
16	SHEAR PANEL, LOWER	1	388117	1	388117	388117	CC
17*	DOOR RAIN GUARD (BLACK)	1	133647-2	1	133647-2	133647-2	R
~	DOOR RAIN GUARD (BROWN)	1	133647-20	1	133647-20	133647-20	
~	DOOR RAIN GUARD (WHITE)	1	133647-18	1	133647-18	133647-18	
18	RAIN GUTTER	1	388581-1	1	388581-1	388581-1	CC
19	BUSHING - DOOR HINGE	2	388094	2	388094	388094	EE
20	SIGN TRIM - TOP / BOTTOM	1	388284-3	1	388284-3	388284-3	CC
21	SIGN TRIM - LEFT	1	388284-6	1	388284-6	388284-5	CC
22	LIGHT HARNESS ASSY.-SEE PG. A-4	A/R	~	1	~	~	
23	RAMP - INNER DOOR	1	388367	1	388367	388367	CC
24	EYELET TRIM	1	387125	1	387125	387125	C
25	SCAVENGER CHUTE - RAIN GUARD	1	388944	1	388944	388944	
26	SCAVENGER LEVER - SUPPORT	1	388220	1	388220	388220	U
27	SPRING LEVER	1	387849	1	387849	387849	
28	SCAVENGER LEVER	1	388690	1	388690	388690	
29	COIN INSERT CHUTE ASSEMBLY	1	134759	1	134759	134759	U
30	COIN ENTRANCE CHUTE	1	389065	1	389065	389065	
31	COVER - COIN CHUTE	1	389066	1	389066	389066	
32	CUP - COIN RETURN	1	388111	1	388111	388111	FF
33	COIN RETURN DOOR	1	389790	1	389790	389790	
34	CUP WASHER	2	337241-1	2	337241-1	337241-1	
35	COIN RETURN TRIM	1	389791	1	389791	389791	FF
36	CROWN BLOCKER	1	388455	1	388455	388455	CC
37	CARRIGE BOLT	A/R	389748-2	1	389748-2	389748-2	J
38	SIGN FACE - SEE PG. E-2	1	~	1	~	~	
39	LOWER PANEL-SEE PG. E-2	1	~	1	~	~	
40	DOOR GUARD-SEE PG. E-2	1	~	1	~	~	
41	VALIDATOR PLUG ASSY.-SEE PG. E-2	1	~	1	~	~	
42	"T" HANDLE ASSY.-SEE PG. E-14	1	~	1	~	~	
43	SELECT. PANEL ASSY.-SEE PG. E-14	1	~	1	~	~	
44	DOOR HARNESS-SEE PG. A-4	1	~	1	~	~	
45	JONES PLUG COVER	1	389123	1	389123	389123	CC
46	CROWN BOX	1	133560	1	133560	133560	
47	LIGHT - ASSEMBLY	1	134308-5	1	134308-5	134308-7	
48	STARTER	2	327143	2	327143	327143	
49	END BRACKET REFLECTOR	2	341331	2	341331	341331	□
50	LAMP HOLDER	4	342622	4	342622	342622	RR
51	SOCKET - STARTER	2	327675-2	2	327675-2	327675-2	
52	BUSHING	1	327699-2	1	327699-2	327699-2	
53	TIE STRAP	1	342621	1	342621	342621	
54	REFLECTOR	1	341330-6	1	341330-6	341330-6	QQ
55	BALLAST - 60HZ	1	327146	1	327146	388463	SS
~	BALLAST - 50HZ	A/R	387756	1	~	~	
56	LAMP, BI-PIN	2	384161	2	384161	388320-3	
57	MOUNTING PLATE	1	388494	1	388494	388494	
58	GROMMET	1	327021	1	327021	327021	
59	T-HANDLE CHUTE	1	389240	1	389240	389240	

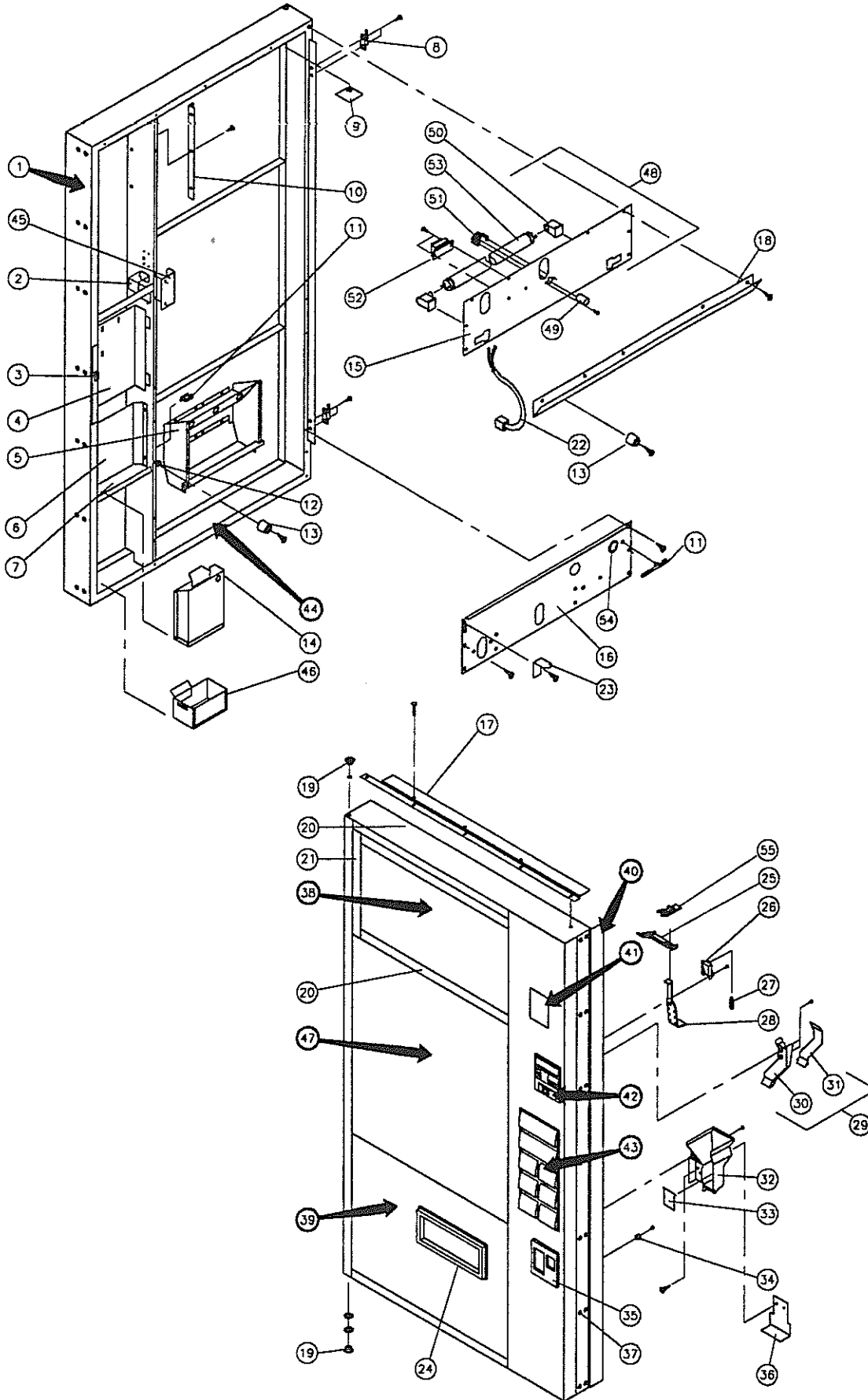
\* NOTE: WHEN ORDERING PART SPECIFY COLOR AND/OR FRANCHISE  
 NOTE: ITEM LETTER "HARDWARE" LISTED ON PAGE A-14



"UNIVENDOR" TRADE MAIN DOOR - FLAT

ITEM NO.	PART NAME & DESCRIPTION	REQ.	MODEL NUMBER →		ITEM LETTER
			510 - 516	600 - 606	
			PART NO.	PART NO.	
1 *	OUTER DOOR ASSEMBLY - BLACK	1	134730-5	134730-6	
~	OUTER DOOR ASSEMBLY - BROWN	1	134730-7	134730-8	
~	OUTER DOOR ASSEMBLY - WHITE	1	134730-9	134730-10	
2	SIGN FACE	1	388490-2	388490-2	
3 *	MID PANEL - BLACK	1	134766-2	134767-2	
~	MID PANEL - BROWN	1	134766-4	134767-4	
~	MID PANEL - WHITE	1	134766-7	134767-7	
4 *	LOWER PANEL - BLACK	1	134765-2	134765-2	
~	LOWER PANEL - BROWN	1	134765-4	134765-4	
~	LOWER PANEL - WHITE	1	134765-7	134765-7	
5 *	DOOR GUARD - BLACK	1	133629-4	133629-3	
~	DOOR GUARD - BROWN	1	133629-23	133629-9	
~	DOOR GUARD - WHITE	1	133629-22	133629-8	
6 *	VALIDATOR PLUG - BLACK	1	133539-2	133539-2	
~	VALIDATOR PLUG - BROWN	1	133539-4	133539-4	
~	VALIDATOR PLUG - WHITE	1	133539-7	133539-7	
~	GASKET-VALIDATOR (NOT SHOWN)	1	388846	388846	
7	"T" HANDLE ASSY.-SEE PG. E-14	1	~	~	
8	SELECTION PANEL-SEE PG. E-14	1	~	~	
9 *	DOOR FRAME WELD - BLACK	1	133537-11	133537-10	
~	DOOR FRAME WELD - BROWN	1	133537-32	133537-33	
~	DOOR FRAME WELD - WHITE	1	133537-25	133537-24	
10	INNER DOOR ASSEMBLY (FINAL)	1	134302-3	134302-4	
11	INNER DOOR GASKET-SEE PG. A-5	1	~	~	
12	KNOB INNER DOOR	1	388305	388305	
13	CARRIAGE BOLT	1	V329258	V329258	
14	GROMMET	2	388090	388090	
15	INNER DOOR PANEL	1	133438-1	133438	
16	HINGE - INNER DOOR	2	388148	388148	CC
17	HINGE PIN	1	389985	389985	C
18	DELIVERY EYELET DOOR	1	387270	387270	
19	LATCH MECHANISM	1	388435	388435	CC
21	SIGN FACE WITH DISPLAY <i>Display</i>	1	389891	389891	DD
20	DISPLAY PANEL <i>Sign</i>	1	388519	388519	

\* NOTE: WHEN ORDERING PART SPECIFY COLOR AND/OR FRANCHISE  
 NOTE: ITEM LETTER "HARDWARE" LISTED ON PAGE A-14



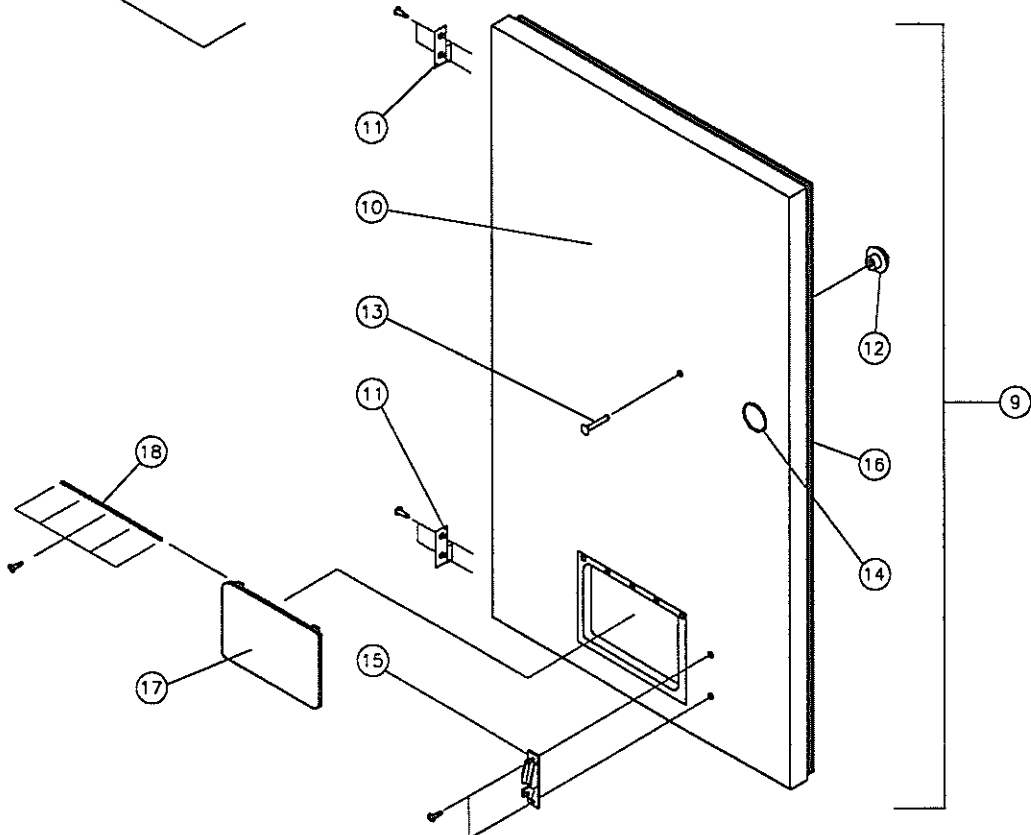
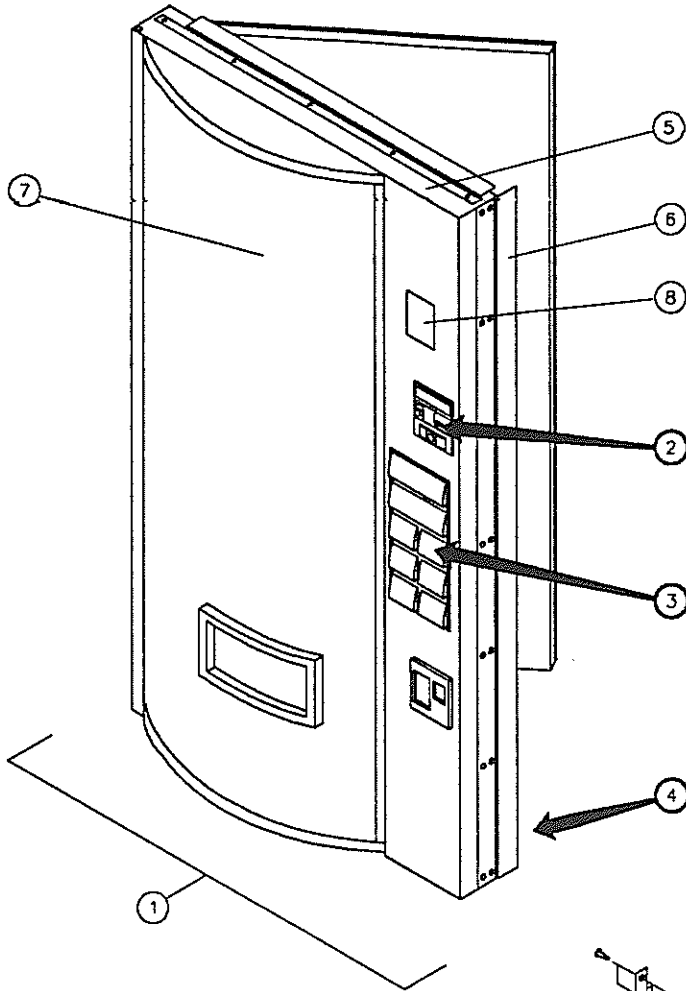




# "UNIVENDOR" TRADE OUTER DOOR-FLAT 3D

ITEM NO.	PART NAME & DESCRIPTION	REQ.	MODEL NUMBER		ITEM LETTER
			510 - 516	600 - 606	
			PART NO.	PART NO.	
1	OUTER DOOR ASSY. - SEE PG. E-6	1	~	~	
2	CREDIT RELAY	1	353343	353343	
3	LATCH - COINAGE DOOR	1	389612	389612	
4	COINAGE DOOR ASSEMBLY	1	388127	388127	E, CC
5	DELIVERY HOPPER ASSEMBLY	1	133574	133574	
6	BARRIER PANEL	1	388244	388244	CC
7	BULKHEAD	1	388119	388119	
8	HINGE - INNER DOOR	2	388149	388149	CC
9	BACKING PLATE	1	388443	388443	
10	SIGN RETAINER	1	389431-3	389431-3	CC
11	TIE DOWN PANEL MOUNT	A/R	388359-1	388359-1	
12	STRIKE	1	388433	388433	
13	BUMPER - DOOR	1	369466	369466	CC
14	COIN BOX	1	133563	133563	
15	LIGHT PANEL	1	388518	388518	
16	SHEAR PANEL, LOWER	1	388117	388117	
17*	DOOR RAIN GUARD (BLACK)	1	133647-2	133647-2	R
~	DOOR RAIN GUARD (BROWN)	1	133647-20	133647-20	
~	DOOR RAIN GUARD (WHITE)	1	133647-18	133647-18	
18	RAIN GUTTER	1	388581-1	388581-1	CC
19	BUSHING - DOOR HINGE	2	388094	388094	EE
20	SIGN TRIM - TOP / BOTTOM	2	388284-3	388284-3	
21	SIGN TRIM - LEFT	1	388284-6	388284-5	
22	LIGHT HARNESS ASSY.-SEE PG. A-4	A/R	~	~	
23	RAMP - INNER DOOR	1	388367	388367	CC
24	EYELET TRIM	1	387125	387125	C
25	SCAVENGER CHUTE - RAIN GUARD	1	388944	388944	
26	SCAVENGER LEVER - SUPPORT	1	388220	388220	U
27	SPRING LEVER	1	387849	387849	
28	SCAVENGER LEVER	1	388690	388690	
29	COIN INSERT CHUTE ASSEMBLY	1	134759	134759	U
30	COIN ENTRANCE CHUTE	1	389065	389065	
31	COVER - COIN CHUTE	1	389066	389066	
32	CUP - COIN RETURN	1	388111	388111	CC, FF
33	COIN RETURN DOOR	1	389790	389790	
34	CUP WASHER	A/R	337241-1	337241-1	F
35	COIN RETURN TRIM	1	389791	389791	FF
36	CROWN BLOCKER	1	388455	388455	CC
37	CARRIAGE BOLT	A/R	389748-2	389748-2	J
38	SIGN FACE	1	389891	389891	
39	LOWER PANEL, OUTER DOOR	1	388453	388453	
40	DOOR GUARD	1	388708-1	388708	
41	VALIDATOR PLUG ASSY.-SEE PG. E-6	1	~	~	DD, PF
42	"T" HANDLE ASSY.-SEE PG.E-14	1	~	~	
43	SELECTION PANEL - SEE PG. E-14	1	~	~	
44	DOOR HARNESS - SEE PG. A-4	1	~	~	
45	JONES PLUG COVER	1	389123	389123	CC
46	CROWN BOX	1	133560	133560	
47	MID PANEL - SEE PG. E-6	1	~	~	
48	LIGHT - ASSEMBLY	1	134308-10	134308-10	
49	STARTER	1	321350	321350	
50	LAMP HOLDER - FIXED	2	388531	388531	
~	LAMP HOLDER - PLUNGER	2	388532	388532	
51	SOCKET - STARTER	1	327675-2	327675-2	
52	BALLAST - 60HZ	1	321345-3	321345-3	SS
~	BALLAST - 50HZ	A/R	327390	327390	
53	LAMP	1	332974	332974	
54	GROMMET	1	327021	327021	
55	T-HANDLE CHUTE	1	389240	389240	

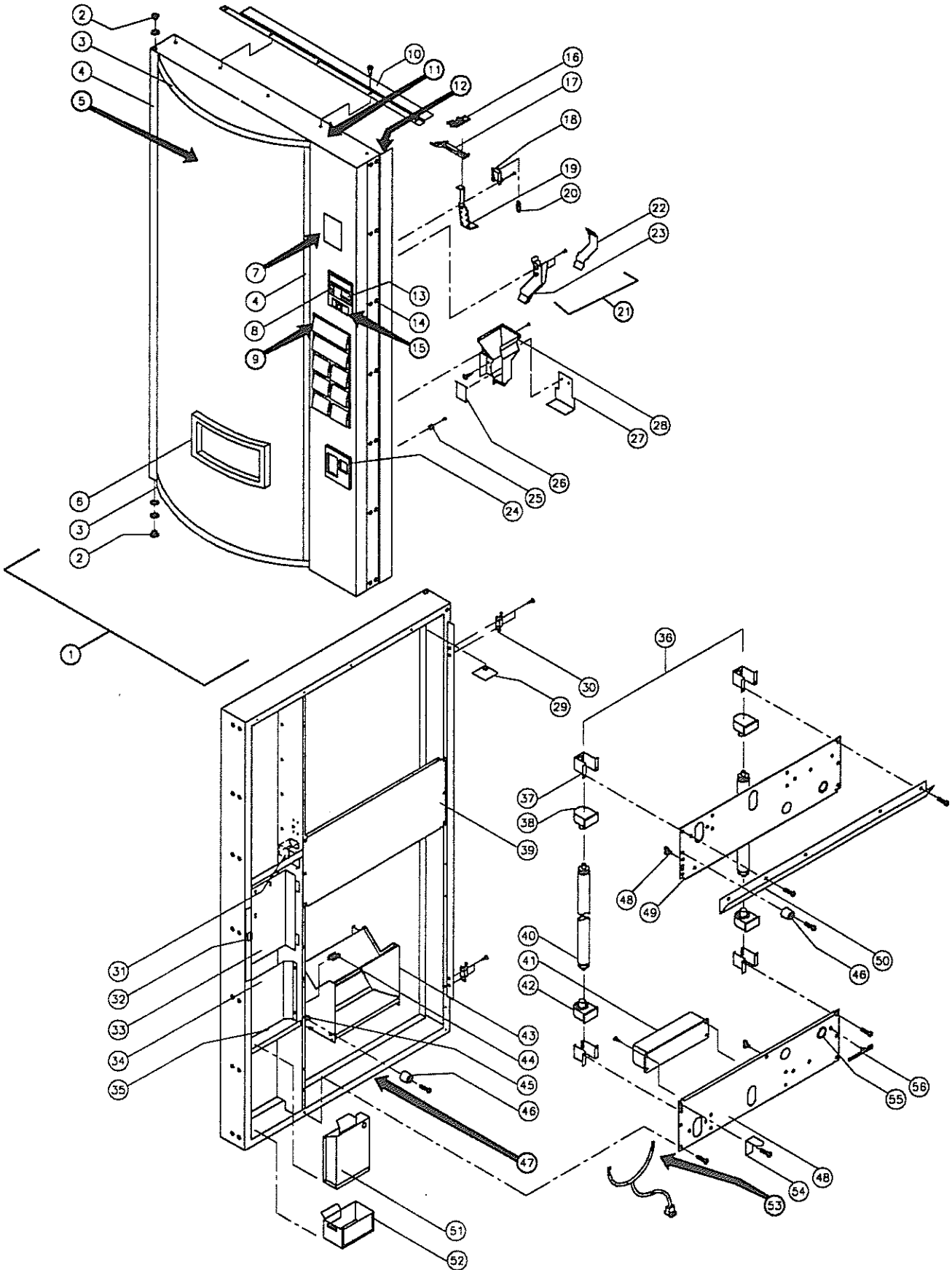
\* NOTE: WHEN ORDERING PART SPECIFY COLOR AND/OR FRANCHISE  
 NOTE: ITEM LETTER "HARDWARE" LISTED ON PAGE A-14



"UNIVENDOR"® TRADE MAIN DOOR - CURVED

ITEM NO.	PART NAME & DESCRIPTION	REQ.	MODEL NUMBER →		ITEM LETTER
			510 - 516	600 - 606	
			PART NO.	PART NO.	
1 *	OUTER DOOR - BLACK	1	134494-28	134494-29	
~	OUTER DOOR - BROWN	1	134494-30	134494-31	
~	OUTER DOOR - WHITE	1	134494-32	134494-33	
2	"T" HANDLE ASS.-SEE PG. E-14	1	~	~	
3	SELECTION PANEL-SEE PG. E-14	1	~	~	
4	DOOR HARNESS - SEE PG. A-4	1	133394	133394	
5 *	DOOR FRAME WELD -BLACK	1	134709-7	134709-6	
~	DOOR FRAME WELD - BROWN	1	134709-16	134709-15	
~	DOOR FRAME WELD - WHITE	1	134709-13	134709-12	
6 *	DOOR GUARD - BLACK	1	133629-16	133629-15	
~	DOOR GUARD - BROWN	1	133629-23	133629-9	
~	DOOR GUARD - WHITE	1	133629-22	133629-8	
7	SIGN FACE	1	388954-19	389708-2	□□
8 *	VALIDATOR PLUG - BLACK	1	133539-2	133539-2	
~	VALIDATOR PLUG - BROWN	1	133539-4	133539-4	
~	VALIDATOR PLUG - WHITE	1	133539-7	133539-7	
~	VALIDATOR GASKET (NOT SHOWN)	1	388846	388846	
9	INNER DOOR ASSEMBLY (FINAL)	1	134302-3	134302-4	
10	INNER DOOR PANEL	1	133789	133789	
11	HINGE - INNER DOOR	2	388148	388148	C
12	DOOR HANDLE	1	388305	388305	
13	CARRIAGE BOLT - HANDLE	1	V329258	V329258	
14	GROMMET	2	388090	388090	
15	LATCH MECHANISM	1	388435	388435	C
16	GASKET - SEE PAGE A-5	1	~	~	
17	DELIVERY EYELET DOOR	1	387270	387270	
18	HINGE PIN	1	389985	389985	C

\* NOTE: WHEN ORDERING PART SPECIFY COLOR AND/OR FRANCHISE  
 NOTE: ITEM LETTER "HARDWARE" LISTED ON PAGE A-14



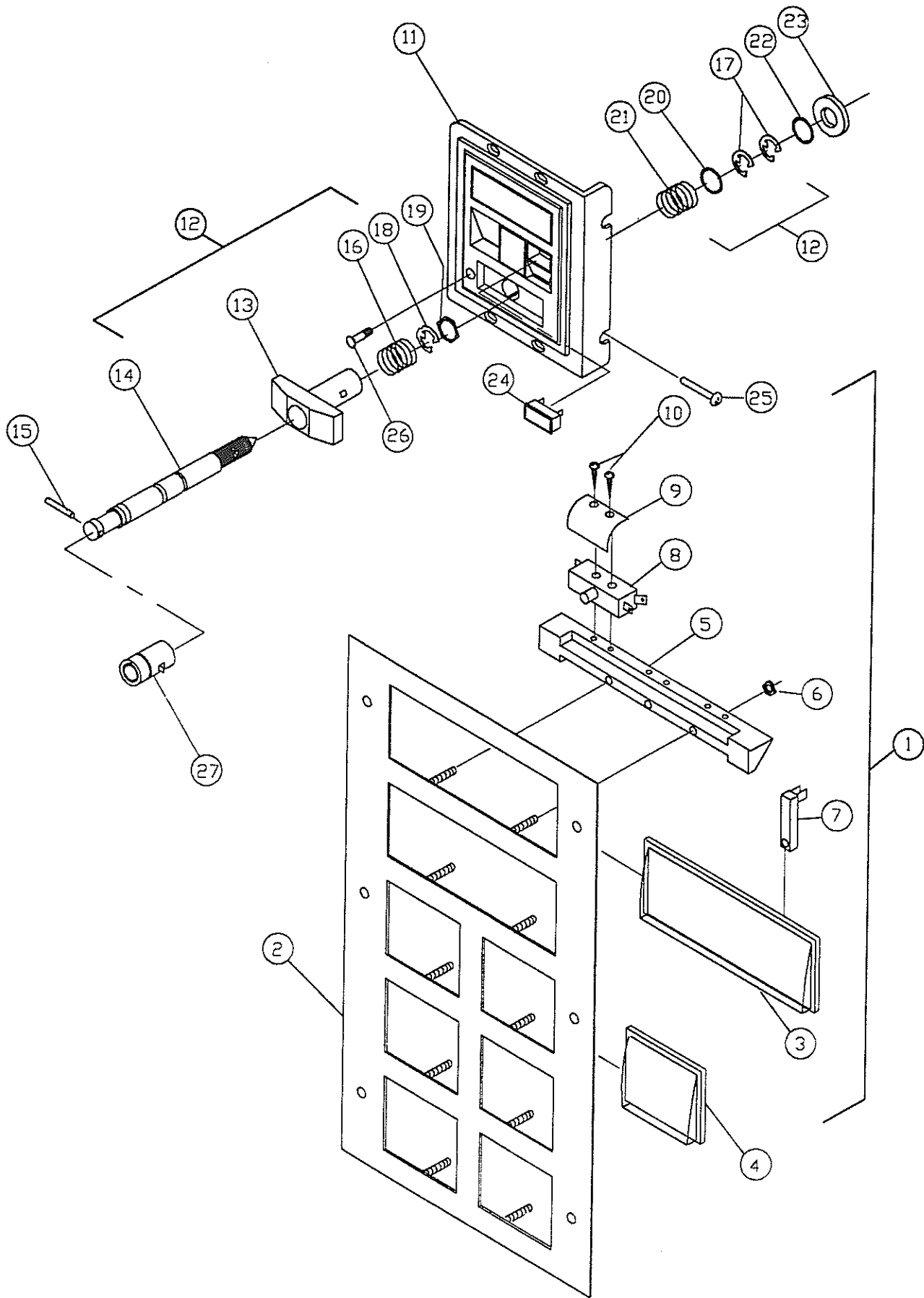
"UNIVENDOR"® TRADE OUTER DOOR—CURVED 3D

ITEM NO.	PART NAME & DESCRIPTION	REQ.	MODEL NUMBERS →		ITEM LETTER
			510 - 516 PART NUMBER	600 - 606 PART NUMBER	
1	OUTER DOOR ASSEMBLY - SEE PAGE E-10	1	~	~	
2	BUSHING - DOOR HINGE	2	388094	388094	NN,EE
3	SIGN CAP - TOP/BOTTOM	2	389028	389028	CC
4	SIGN FRAME - LEFT/RIGHT	2	388125-2	388125	CC
5	SIGN FACE - SEE PAGE E-10	1	~	~	
6	EYELET TRIM	1	388271	388271	FF
7	VALIDATOR PLUG - SEE PAGE E-10	1	~	~	
8	COIN INSERT CASTING	1	389780	389780	
9	SELECTION PANEL - SEE PAGE E-14	1	~	~	
10	* DOOR RAIN GUARD - BLACK	1	133647-2	133647-2	R
~	DOOR RAIN GUARD - BROWN	1	133647-20	133647-20	
~	DOOR RAIN GUARD - WHITE	1	133647-18	133647-18	
11	DOOR FRAME WELD - SEE PAGE E-10	1	~	~	
12	DOOR GUARD - SEE PAGE E-10	1	~	~	
13	CORRECT CHANGE LAMP	1	387124	387124	
14	CARRIAGE BOLT	A/R	V801434	V801434	J
15	T-HANDLE ASSY. - SEE PAGE E-14	1	~	~	
16	T-HANDLE CHUTE	1	389240	389240	
17	SCAVENGER CHUTE	1	388944	388944	
18	RETAINER - LEVER	1	388220	388220	
19	SCAVENGER LEVER	1	388690	388690	
20	SPRING - LEVER	1	387849	387849	
21	COIN INSERT CHUTE ASSEMBLY	1	133428	133428	U
22	COVER - CHUTE	1	389066	389066	
23	COIN INSERT CHUTE	1	389065	389065	U
24	COIN RETURN TRIM	1	389791-1	389791-1	
25	CUP WASHER - TRIM	2	337241-1	337241-1	FF
26	COIN RETURN DOOR	1	389790	389790	
27	CROWN BLOCKER	1	388455	388455	CC
28	CUP - COIN RETURN	1	388111	388111	CC
29	BACKING PLATE	1	388443	388443	
30	HINGE - INNER DOOR	2	388149	388149	CC
31	CREDIT RELAY	1	353343	353343	
32	LATCH - COINAGE DOOR	1	389612	389612	
33	COINAGE DOOR ASSEMBLY	1	133435	133435	E
34	BARRIER PANEL	1	388244	388244	CC
35	BULKHEAD	1	388119	388119	
36	LIGHT ASSEMBLY	1	134308-32	134308-32	
37	BRACKET - LAMPHOLDER	4	388409	388409	
38	LAMP HOLDER - PLUNGER (HI-INTENSITY)	2	388407	388407	
~	LAMP HOLDER - PLUNGER (SLIM LINE)	2	388260	388260	
39	SHEAR PANEL - MIDDLE	1	389834-1	389834-1	
40	FLUORESCENT LAMP (HI-INTENSITY)	2	388408-1	388408	
~	FLUORESCENT LAMP (SLIM LINE)	2	388320-1	388320	
41	BALLAST - LAMP (HI-INTENSITY)	1	388405	388405	
~	BALLAST - LAMP (SLIM LINE)	1	388259	388259	
42	LAMP HOLDER - FIXED (HI-INTENSITY)	2	388406	388406	
~	LAMP HOLDER - FIXED (SLIM LINE)	2	388261	388261	
43	DELIVERY HOPPER ASSEMBLY	1	134789	134789	
~	EXTENTIONS - HOPPER	2	389088	389088	
44	TIE DOWN PANEL MOUNT	A/R	388359-1	388359-1	
45	STRIKE	1	388433	388433	
46	BUMPER - DOOR	2	369466-2	369466-2	CC
47	DOOR HARNESS-SEE PG. A-4 (NOT SHOWN)	1	~	~	
48	HARNESS CLIP	3	384692	384692	
49	SHEAR PANEL - TOP/BOTTOM (HI-INTENSITY)	2	388117	388117	
50	RAIN GUTTER	1	388581-1	388581-1	CC
51	COIN BOX	1	133563	133563	
52	CROWN BOX	1	133560	133560	
53	LIGHT HARNESS-SEE PG. A-4	~	~	~	
54	RAMP - INNER DOOR	1	388367	388367	CC
55	GROMMET	1	327021	327021	
56	HARNESS TIE	2	388359-1	388359-1	
57	SPLICE - TOP SHEAR PANEL (NOT SHOWN)	1	~	~	

NOTE: FOR LABELS AND DECALS SEE PAGE A-6

\* NOTE: WHEN ORDERING PART SPECIFY COLOR AND/OR FRANCHISE

NOTE: ITEM LETTER "HARDWARE" LISTED ON PAGE A-14



"UNIVENDOR" TRADE 3D  
SELECTION PANEL / DOOR LATCH

ITEMS BELOW LISTED BY COLOR & NO. OF SELECTIONS

	ITEM NUMBER		1	2
	NUMBER OF SELECTIONS	NO REQ.	BUTTON PANEL ASSY.	SELECTION PANEL
BLACK	6 - SELECT	1	134758-5	134757-5
	7 - SELECT	1	134758-6	134757-6
	*8 - SELECT	1	134758-7	134757-7
	9 - SELECT	1	134758-8	134757-8
	10- SELECT	1	134758-9	134757-9
BROWN	6 - SELECT	1	134758-10	134757-10
	7 - SELECT	1	134758-21	134757-21
	*8 - SELECT	1	134758-22	134757-22
	9 - SELECT	1	134758-23	134757-23
	10- SELECT	1	134758-24	134757-24
WHITE	6 - SELECT	1	134758-35	134757-35
	7 - SELECT	1	134758-36	134757-36
	*8 - SELECT	1	134758-37	134757-37
	9 - SELECT	1	134758-38	134757-38
	10- SELECT	1	134758-39	134757-39

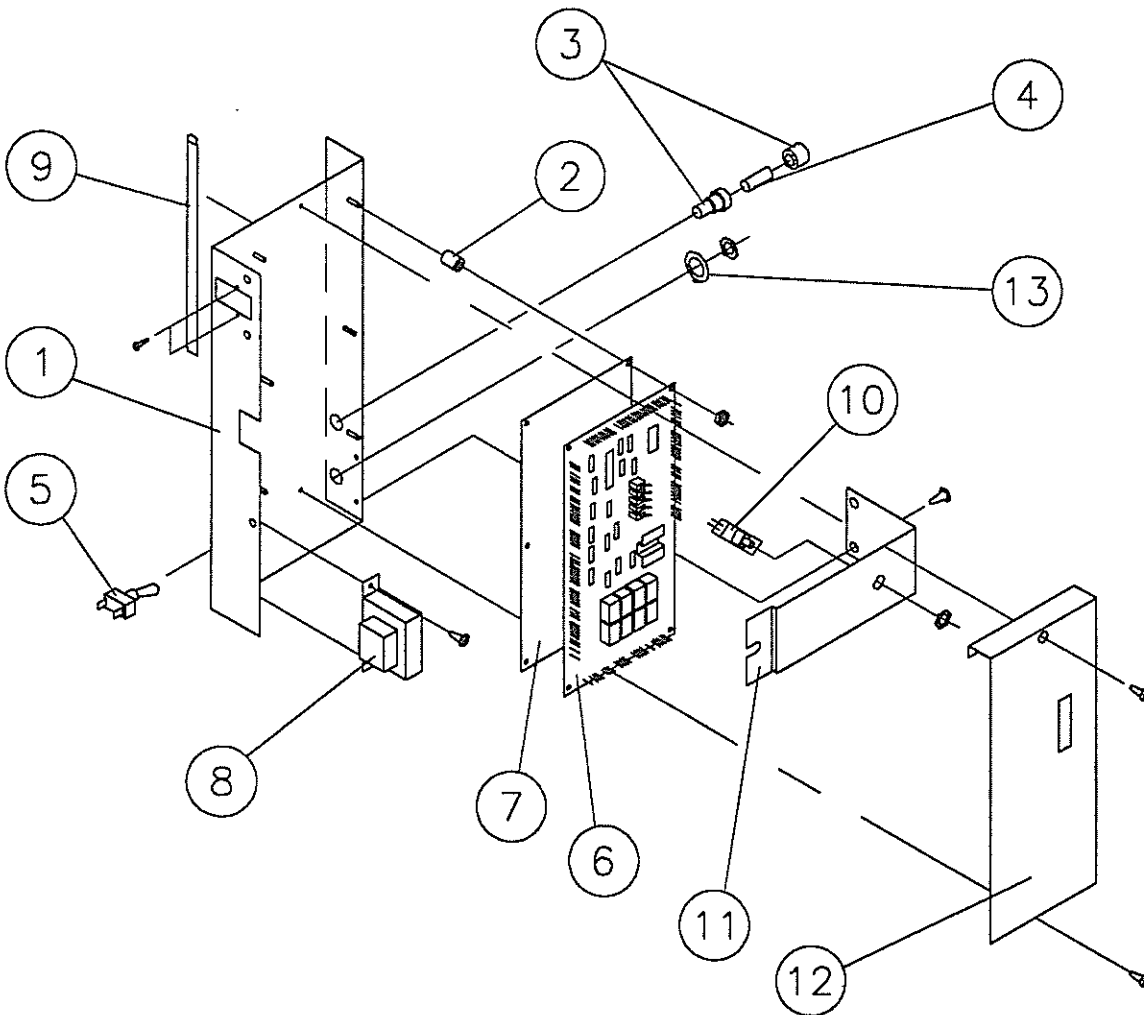
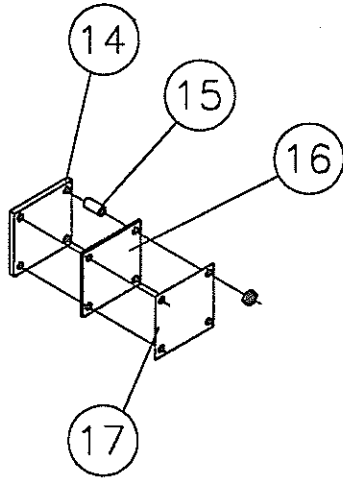
ITEMS LISTED BELOW COMMON TO ALL CONFIGURATIONS

ITEM NO.	PART NAME & DESCRIPTION	NO. REQ'D.	PART NO.
1	BUTTON ASSEMBLY	1	SEE ABOVE
2	SELECTION PANEL	1	SEE ABOVE
3	SELECTION BUTTON - MEDIUM	AR	370840-1
4	SELECTION BUTTON - SMALL	AR	370841-1
5	BUTTON RETAINER	AR	388360
6	HEX NUT - RETAINER	AR	V800956
7	SOLD-OUT LAMP	AR	383991
8	SELECTION SWITCH	AR	385440
9	LEAF SPRING - SELECTION BUTTON	AR	388444
10	TAPPING SCREW - SWITCH	AR	V801499
11	COIN INSERT CASTING	1	389780
12	LOCK ASSEMBLY	1	134734
13	"T" HANDLE	1	387603
14	LOCKING STUD (BOLT)	1	388131
15	PIN - STUD	1	387601
16	SPRING	1	387598
17	"E" RETAINER RING	2	387719
18	"E" RETAINER RING	1	388589
19	HEX FLAT WASHER	1	387600
20	FLAT WASHER	1	387718
21	SPRING (HEAVY)	1	389691
22	FLAT WASHER - 1/2"	2	V801023
23	VAPOR SEAL	1	388132
24	CORRECT CHANGE LIGHT	1	387124
25	CARRIAGE BOLT	AR	389748-2
26	CARRIAGE BOLT	1	V802005
27**	KEY AND LOCK ASSEMBLY	A/R	-----

\* NOTE: 8 SELECT SHOWN

\*\*\* NOTE: FOR FLAVOR LABELS, SEE PAGES A8 THRU A13

\*\* NOTE: KEY AND LOCK CAN BE ORDERED THROUGH VENGUARD

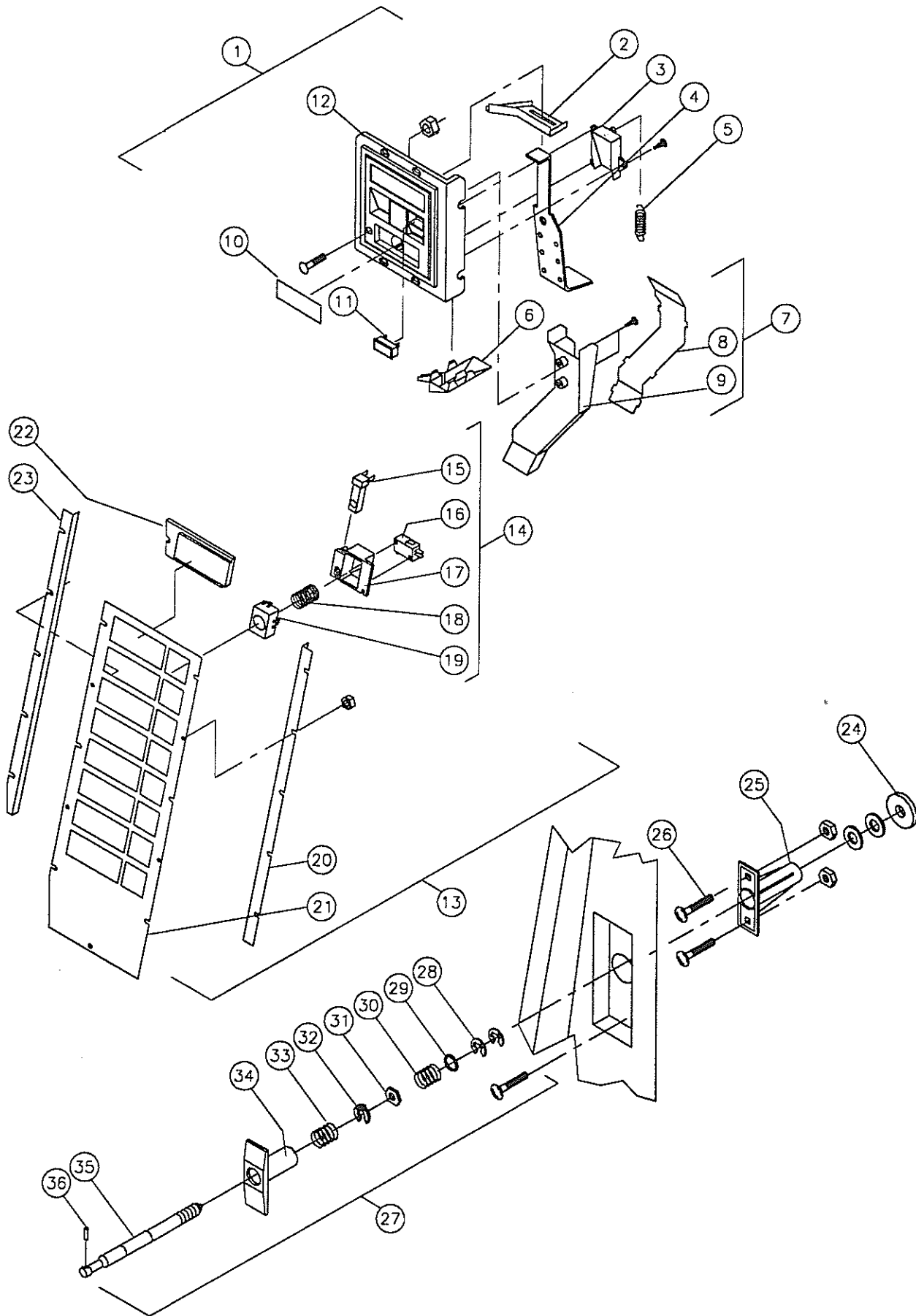




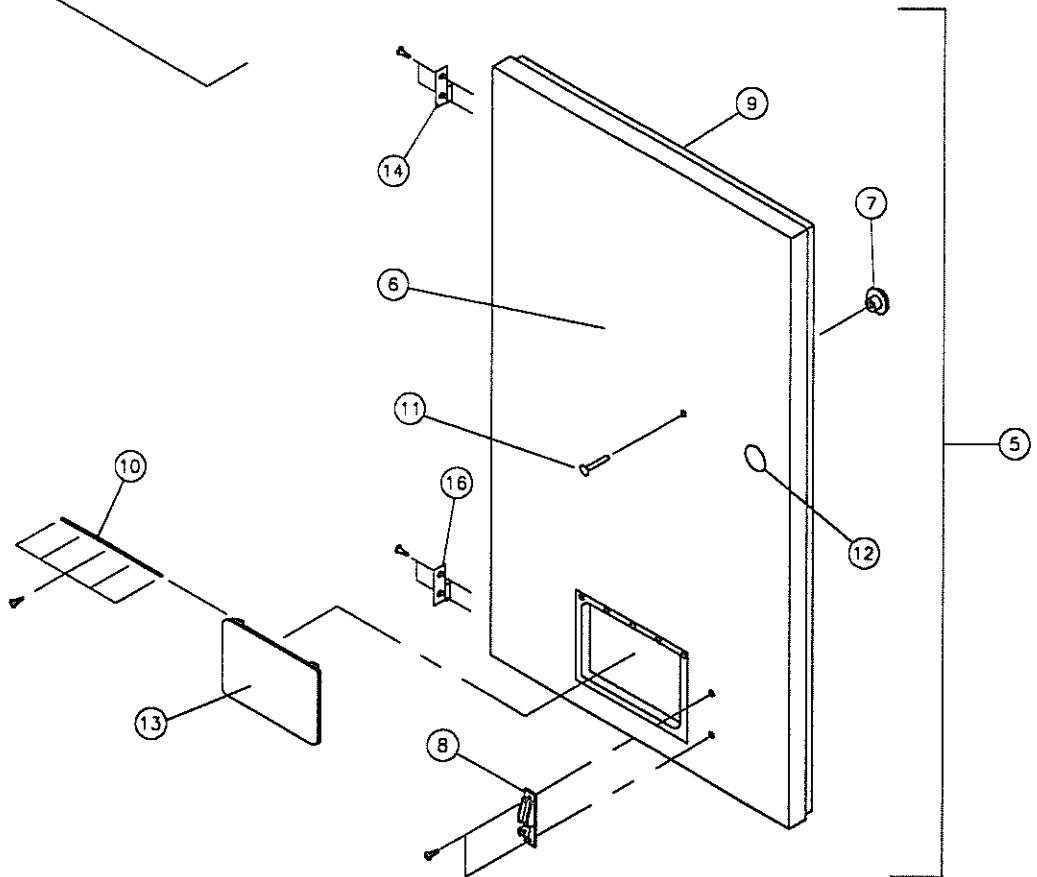
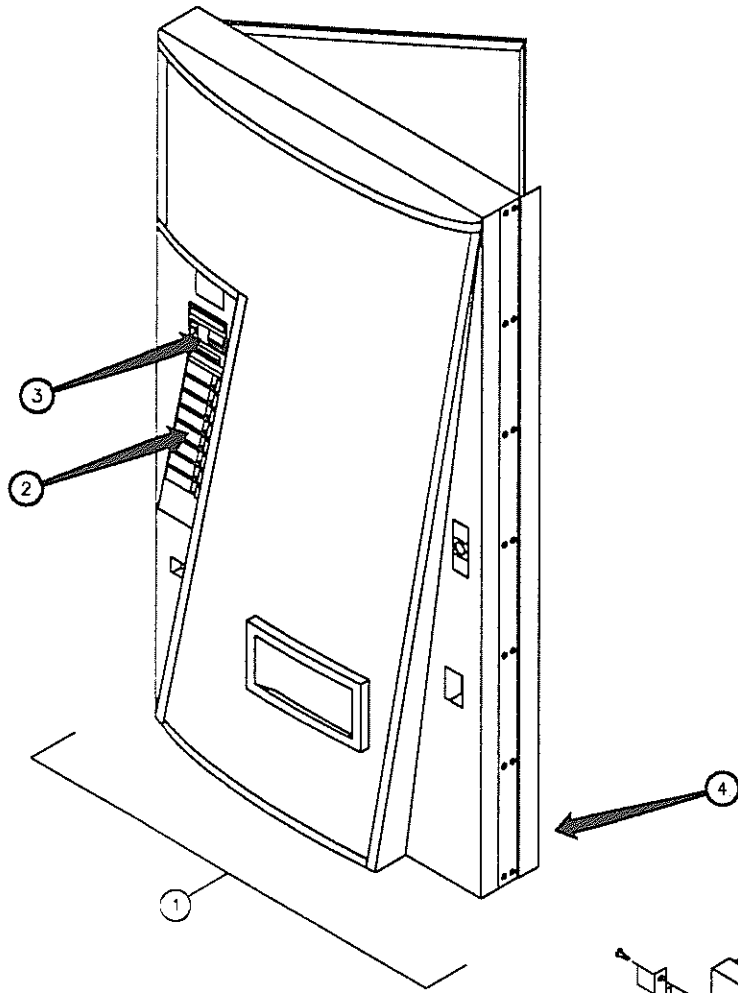
"UNIVENDOR" 7UP - OUTER DOOR 3D

ITEM NO.	PART NAME & DESCRIPTION	REQ.	510 - 516 PART NO.	600 - 606 PART NO.	ITEM LETTER
~	OUTER DOOR ASSEMBLY - 8 SEL.	1	134774-1	134774	
1	DOOR WELD	1	134772-1	134772	
2	DOOR GUARD	1	133629-20	133629-19	
3	RAIN GUARD - 7UP	1	133647-15	133647-15	R
4	FLUORESCENT LAMP	2	388408-1	388408	
5	GROMMET	1	327021	327021	
6	BALLAST	1	388405	388405	
7	LAMP HOLDER - FIXED	2	388406	388406	D
8	LAMP HOLDER - PLUNGER	2	388407	388407	
9	BRACKET - LAMP HOLDER	4	388409	388409	
10	HARNESSTIE	2	388359-1	388359-1	
11	COIN CHUTE	1	134691	134691	CC
12	COIN RETURN CHUTE	1	134692	134692	
13	DOOR - COIN RETURN	1	320934-1	320934-1	
14	PIN - COIN RETURN DOOR	1	320935	320935	
15	BUMPER	2	369466	369466	CC
16	CLAMP	2	384692-2	384692-2	
17	BUSHING - HINGE	2	388094	388094	EE
18	SIGN CAP - TOP	1	388121	388121	
19	COINAGE DOOR	1	134779	134779	E
20	HINGE - INNER DOOR	2	388149	388149	CC
21	EYELET TRIM	1	388271	388271	F
22	RAMP - INNER DOOR	1	388367	388367	
23	STRIKE - INNER DOOR	1	388433	388433	
24	PLUG - BILL VALIDATOR	1	133539-2	133539-2	
25	GASKET - PLUG	1	388846	388846	
26	JONES PLUG COVER	1	389123	389123	
27	LATCH - COINAGE DOOR	1	389612	389612	
28	SIGN CAP - BOTTOM	1	389708	389708	
29	SIGN CAP - MIDDLE	1	389709	389709	
30	TRANSITION PANEL - LEFT	1	134793	134795	CC
31	TRANSITION PANEL - RIGHT	1	134792	134794	CC
32	BULKHEAD - COIN BOX	1	389722	389722	
33	SIGN TRIM - RIGHT	1	389718-1	389718	
34	SIGN TRIM - LOWER LEFT	1	389720-1	389720	
35	SIGN TRIM - UPPER LEFT	1	389721-1	389721	
36	CROWN BLOCKER	1	134781	134781	CC
37	COIN BOX	1	134780	134780	
38	RAIN GUTTER	1	389827	389827	
39	RAIN BULKHEAD	1	389851	389851	
40	SEL PANEL ASSY (SEE PAGE E-21)	1	~	~	
41	SIGN FACE	1	389715	389714	
42	SHEAR PANEL - UPPER	1	389699	389699	CC
43	SHEAR PANEL - LOWER	1	389735	389735	
44	RAIN SHEET	1	134778	134778	
45	T-HANDLE ASSY. (SEE PAGE E-21)	1	~	~	
46	BARRIER PANEL - COIN BOX	1	389698	389698	
47	COIN INSERT ASSY (SEE PAGE E-21)	1	~	~	
48	FILLER PLATE - BOTTOM	1	389837	389837	CC, R
49	BACKING PLATE - DOOR HINGE	1	388443	388443	
50	HOPPER	1	134789	134789	
51	EXTENSION - HOPPER	2	389088	389088	N
52	CREDIT RELAY	1	353343	353343	
53	LIGHT HARNESS (SEE PAGE A-4)	1	~	~	
54	CARRIAGE BOLT - DOOR GUARD	AR	389748-2	389748-2	J
55	DOOR HARNESS (SEE PAGE A-4)	1	~	~	
56	CROWN BOX	1	133552	133552	

NOTES: FOR LABELS AND DECALS SEE PAGE A6, FOR FLAVOR LABELS SEE PAGE A14  
 NOTE: ITEM LETTER "HARDWARE" LISTED ON PAGE A-14



“UNIVENDOR”®  
7UP

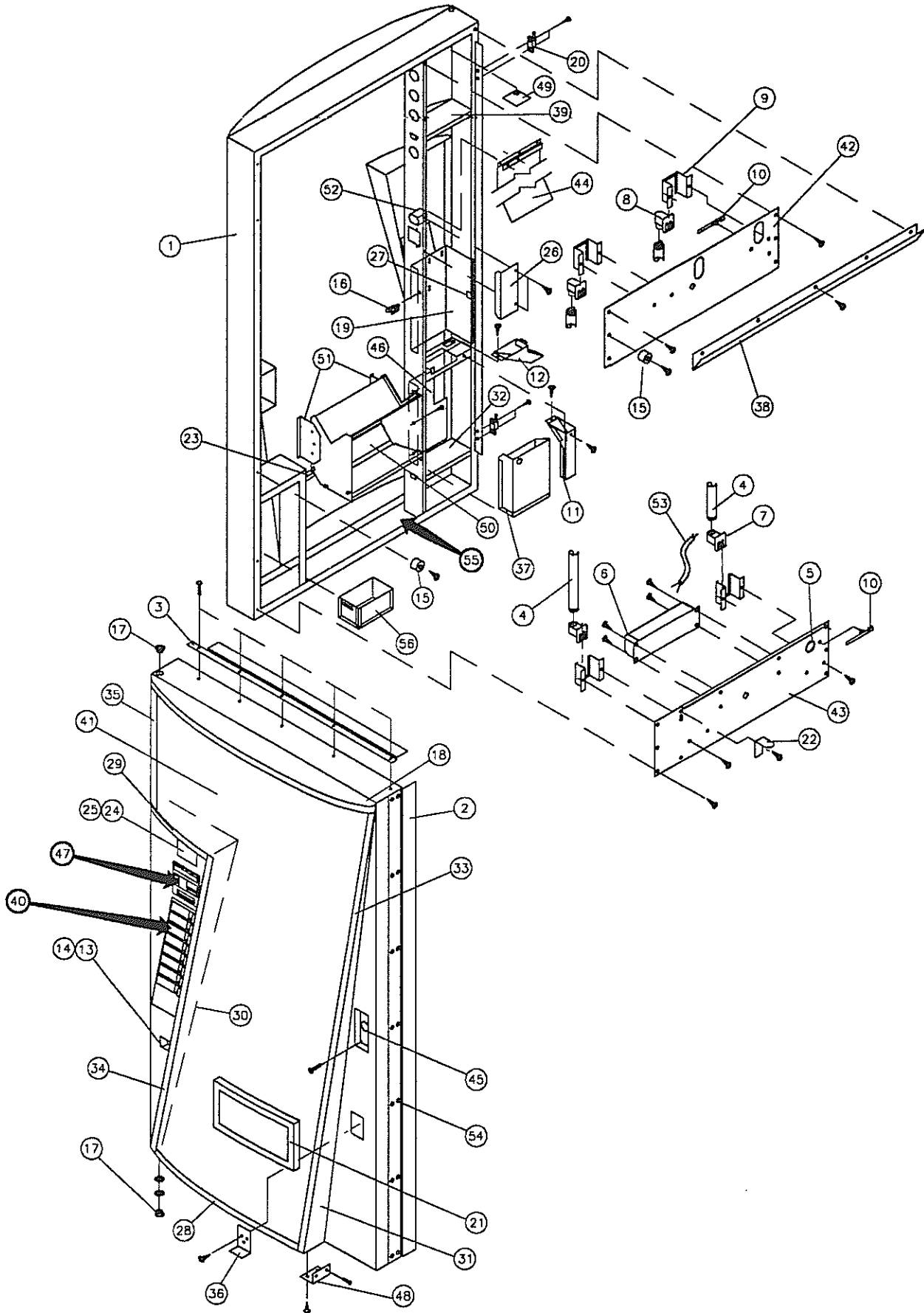


## "UNIVENDOR" MAIN DOOR - 7UP

ITEM NO.	PART NAME & DESCRIPTION	REQ.	510 - 516 PART NO.	600 - 606 PART NO.	ITEM LETTER
1	OUTER DOOR ASSEMBLY - 8 SEL.	1	134774-1	134774	
2	SELECTION PANEL ASSY (SEE PG. E-21)	1	~	~	
3	COIN INSERT ASSY (SEE PG. E-21)	1	~	~	
4	DOOR HARNESS (SEE PG. A-4)	1	~	~	
5	INNER DOOR ASSEMBLY (FINAL)	1	134302-14	134302-13	
6	INNER DOOR ASSEMBLY (FOAMED)	1	133438-14	133438-13	
7	DOOR KNOB	1	388305	388305	
8	LATCH MECHANISM	1	388435	388435	CC
9	DOOR GASKET KIT (SEE PG. A-5)	1	~	~	
10	PIN HINGE	1	389985	389985	C
11	BOLT - KNOB	1	V329258	V329258	
12	GROMMET	2	388090	388090	
13	DELIVERY DOOR	1	387270	387270	
14	HINGE LEAF	2	388148	388148	CC

NOTES: FOR LABELS AND DECALS SEE PAGE A6, FOR FLAVOR LABELS SEE PAGE A14

NOTE: ITEM LETTER "HARDWARE" LISTED ON PAGE A-14



"UNIVENDOR"® 3D

COIN INSERT/SELECTION BUTTON/T-HANDLE ASSEMBLYS - 7UP

ITEM NO.	PART NAME & DESCRIPTION	REQ.	PART NO.	ITEM LETTER
1	COIN INSERT ASSY - 7UP	1	134759-11	
2	SCAVENGER CHUTE	1	388684	
3	SCAVENGER RETAINER	1	388220	U
4	SCAVENGER LEVER	1	388690	
5	SPRING	1	387849	
6	T-HANDLE CHUTE	1	389240	
7	COIN INSERT CHUTE ASSY	1	133428	
8	COIN INSERT CHUTE	1	389065	
9	COVER - COIN INSERT CHUTE	1	389066	U
10	T-HANDLE HOLE COVER	1	389707	
11	CORRECT CHANGE LAMP	1	387124	
12	COIN INSERT CASTING	1	389780	VV, WW
13	SELECTION PANEL ASSY - 8 SEL	1	134773	
14	PUSH BUTTON ASSY - 7UP	8	134788	
15	LAMP - SOLD OUT	1	383991	
16	SWITCH	1	368299	
17	HOUSING - BUTTON - 7UP	1	389764	
18	SPRING - SELECTION BUTTON	1	388858	
19	BUTTON - 7UP	1	389763	
20	RAIL - BUTTON SIDE	1	389812	I
21	SELECTION PANEL STUD ASSY - 8 SEL	1	134771	
22	WINDOW - 7UP	8	389765	
23	RAIL - WINDOW SIDE	1	389811	
24	VAPOR SEAL	1	388123	
25	HOUSING	1	387597	J, XX
26	CARRIAGE BOLT	A/R	V329258-2	
27	T-HANDLE ASSEMBLY	1	134761	
28	E-RETAINER	1	387719	
29	WASHER	1	387718	
30	SPRING	1	389691	
31	HEX WASHER	1	387600	
32	E-RETAINER	1	388589	
33	SPRING	1	387598	
34	HANDLE	1	387603	
35	STUD	1	389999	
36	PIN	1	387601	

NOTE: ITEM LETTER "HARDWARE" LISTED ON PAGE A-14

