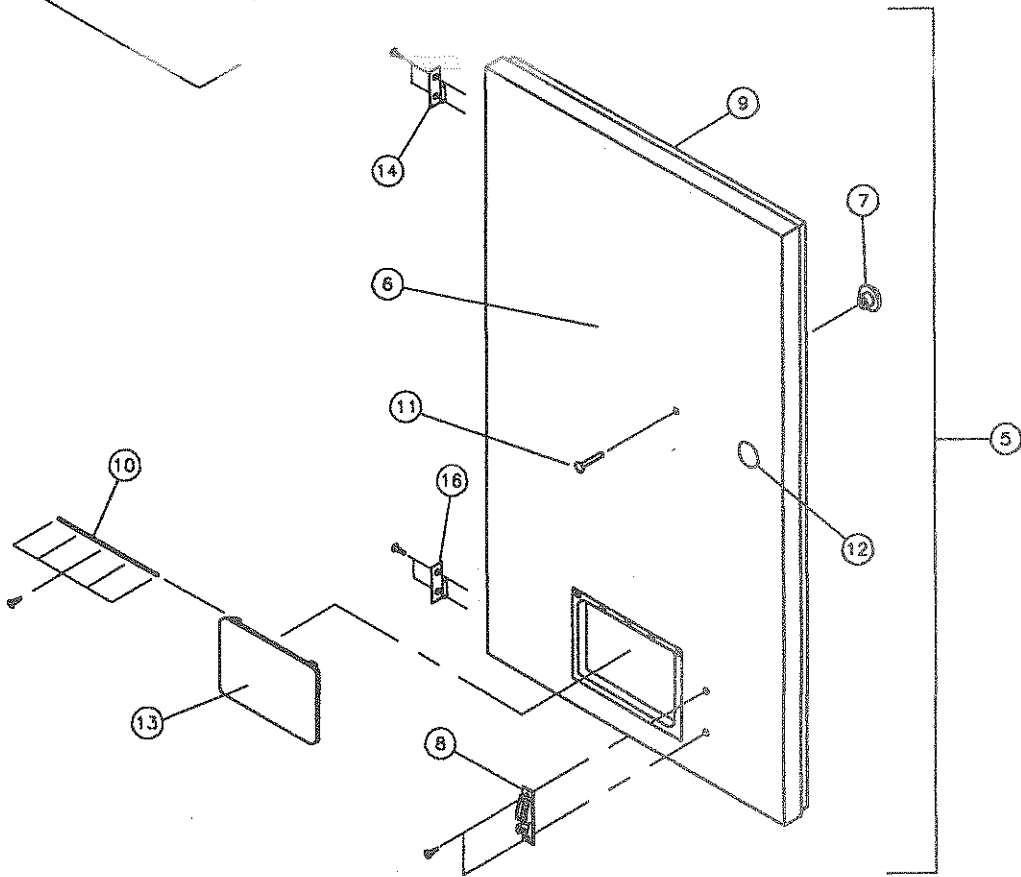
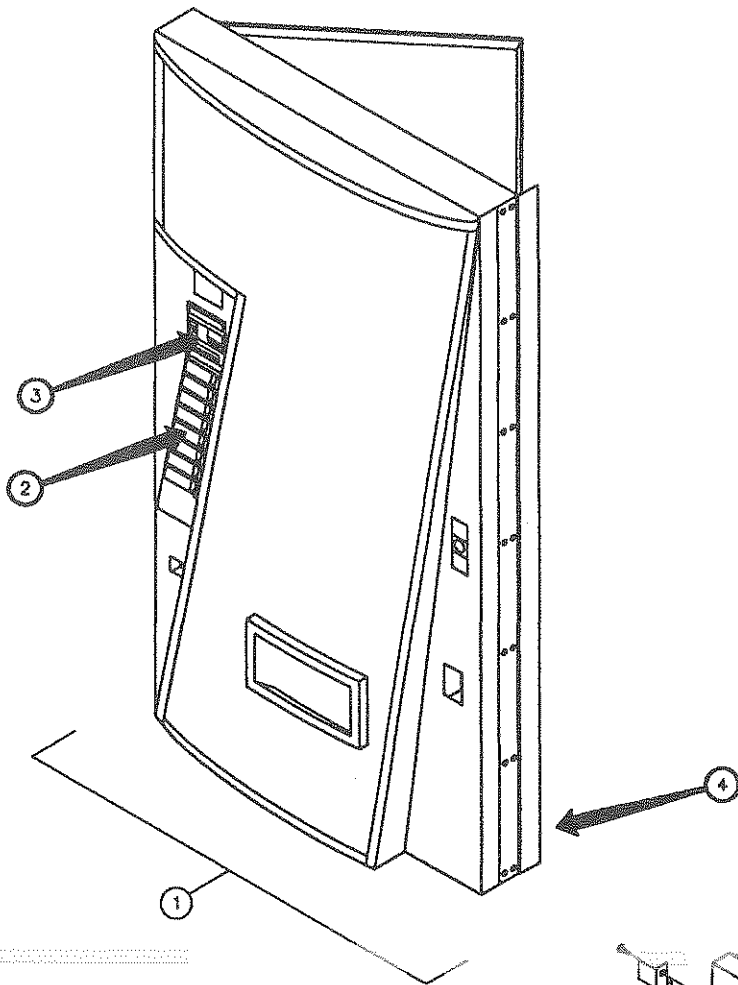


“UNIVENDOR”
7UP

*mt of
Intentional
Book
396330*





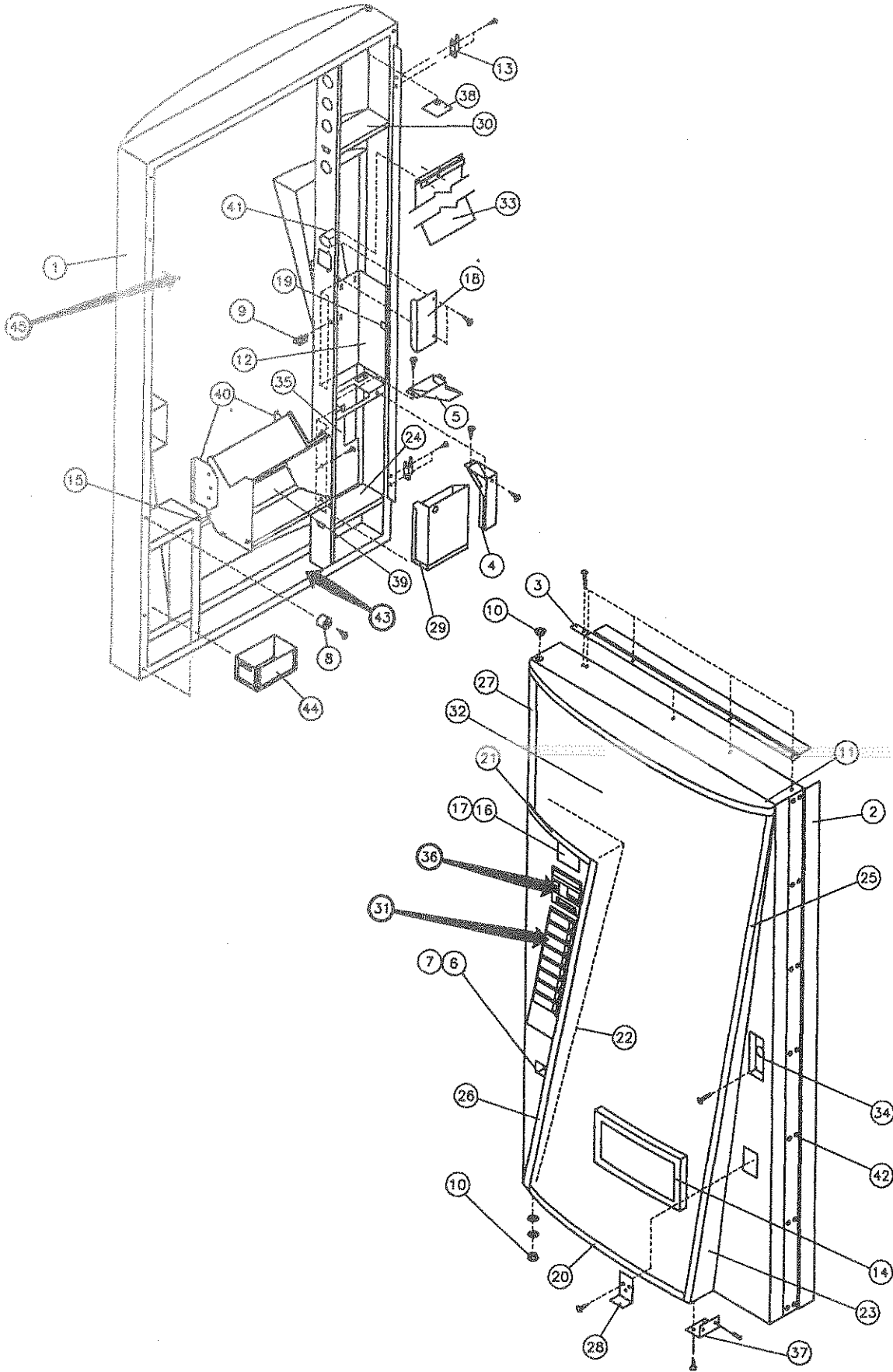
"UNIVENDOR" MAIN DOOR - 7UP

ITEM NO.	PART NAME & DESCRIPTION	REQ.	MODEL NUMBERS		ITEM LETTER
			368 - 378 388.392.406	439 - 450 460.470.490	
			PART NO.	PART NO.	
1	OUTER DOOR ASSEMBLY - 8 SEL.	1	134774-1	134774	
2	SELECTION PANEL ASSY (SEE PG. E-23)	1	~	~	
3	COIN INSERT ASSY (SEE PG. E-23)	1	~	~	
4	DOOR HARNESS (SEE PG. A-4)	1	~	~	
5	INNER DOOR ASSEMBLY (FINAL)	1	134302-14	134302-13	
6	INNER DOOR ASSEMBLY (FOAMED)	1	133438-14	133438-13	
7	DOOR KNOB	1	388305	388305	
8*	LATCH MECHANISM	1	388435	388435	CC
9	DOOR GASKET KIT (SEE PG. A-5)	1	~	~	
10	PIN HINGE	1	389985	389985	C
11	BOLT - KNOB	1	V329258	V329258	
12	GROMMET	2	388090	388090	
13	DELIVERY DOOR	1	387270	387270 10/3070	
14	HINGE LEAF	2	388148	388148	CC

NOTES: FOR LABELS AND DECALS SEE PAGE A-12, FOR FLAVOR LABELS SEE PAGE A-13

NOTE: ITEM LETTER "HARDWARE" LISTED ON PAGE A-6

* LATCH MECHANISM REMOVED AFTER 1990. SEE PAGE B-16 FOR REPLACEMENT PART.



"UNIVENDOR" 7UP - OUTER DOOR

ITEM NO.	PART NAME & DESCRIPTION	REQ.	MODEL NUMBER		ITEM LETTER
			368 - 378 388,392,406	439 - 450 460,470,490	
			PART NO.	PART NO.	
1	OUTER DOOR ASSEMBLY - 8 SEL.	1	134774-1	134774	
2	DOOR WELDMENT	1	134772-1	134772	
3	RAIN GUARD - 7UP	1	133629-20	133629-19	
4	RAIN GUARD - 7UP	1	133647-15	133647-15	R
5	COIN CHUTE	1	134691	134691	CC
6	COIN RETURN CHUTE	1	134692	134692	
7	DOOR - COIN RETURN	1	320934-1	320934-1	
8	PIN - COIN RETURN DOOR	1	320935	320935	
9	BUMPER	2	369466	369466	CC
10	CLAMP	2	384692-2	384692-2	
11	BUSHING - HINGE	2	388094	388094	EE
12	SIGN CAP - TOP	1	388121	388121	
13	COINAGE DOOR	1	134779	134779	E
14	HINGE - INNER DOOR	2	388149	388149	CC
15	EYELET TRIM	1	388271	388271	F
16	STRIKE - INNER DOOR	1	388433	388433	
17	PLUG - BILL VALIDATOR	1	133539-2	133539-2	
18	GASKET - PLUG (NOT SHOWN)	1	388846	388846	
19	JONES PLUG COVER	1	389123	389123	
20	LATCH - COINAGE DOOR	1	389612	389612	
21	SIGN CAP - BOTTOM	1	389708	389708	
22	SIGN CAP - MIDDLE	1	389709	389709	
23	TRANSITION PANEL - LEFT	1	134793	134795	CC
24	TRANSITION PANEL - RIGHT	1	134792	134794	CC
25	BULKHEAD - COIN BOX	1	389722	389722	
26	SIGN TRIM - RIGHT	1	389718-1	389718	
27	SIGN TRIM - LOWER LEFT	1	389720-1	389720	
28	SIGN TRIM - UPPER LEFT	1	389721-1	389721	
29	CROWN BLOCKER	1	134781	134781	CC
30	COIN BOX	1	134780	134780	
31	RAIN BULKHEAD	1	389851	389851	
32	SEL PANEL ASSY (SEE PAGE E-23)	1	~	~	
33	SIGN FACE	1	389715	389714	
34	RAIN SHEET	1	134778	134778	
35	LOCK ASSY (SEE PAGE E-23)	1	~	~	
36	BARRIER PANEL - COIN BOX	1	389698	389698	
37	COIN INSERT ASSY (SEE PAGE E-23)	1	~	~	
38	FILLER PLATE - BOTTOM	1	389837	389837	CC,R
39	BACKING PLATE - DOOR HINGE	1	388443	388443	
40	HOPPER	1	134789	134789	
41	EXTENSION - HOPPER	2	389088	389088	N
42	CREDIT RELAY	1	353343	353343	
43	CARRIAGE BOLT - DOOR GUARD	AR	389748-2	389748-2	J
44	DOOR HARNESS (SEE PAGE A-4)	1	~	~	
45	CROWN BOX	1	133552	133552	
	LIGHT ASSY (SEE PAGE B-16)	1	~	~	

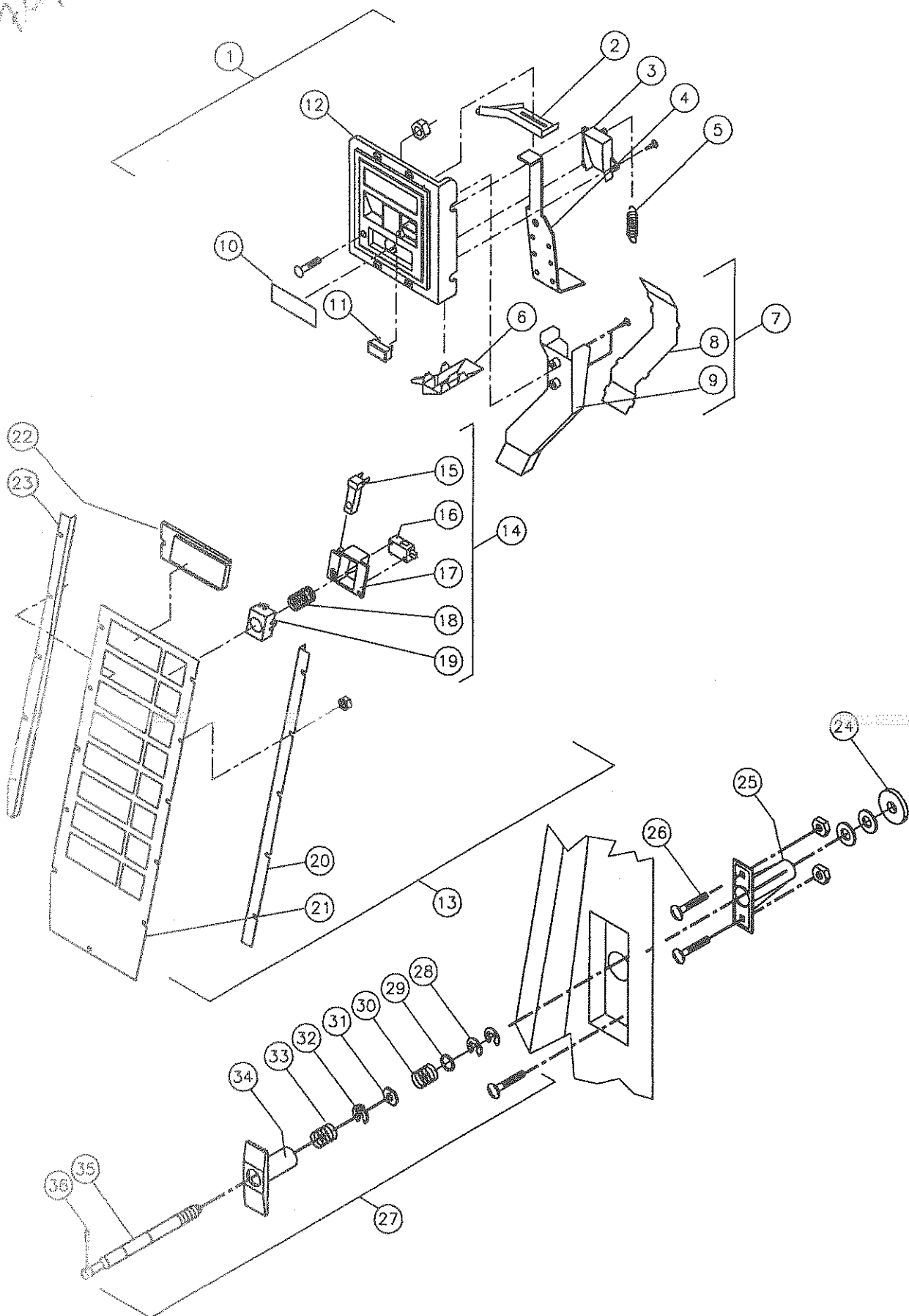
NOTES: FOR LABELS AND DECALS SEE PAGE A-12, FOR FLAVOR LABELS SEE PAGE A-13

NOTE: ITEM LETTER "HARDWARE" LISTED ON PAGE A-6

* STRIKE REMOVED AFTER 1990. SEE PAGE B-16 FOR REPLACEMENT PART.

703 347 3948

7/1/88



Handwritten notes:
 470 351 002
 39 2 30 7000
 Ume

"UNIVENDOR"

COIN INSERT/SELECTION BUTTON/T-HANDLE ASSEMBLYS - 7UP

ITEM NO.	PART NAME & DESCRIPTION	REQ.	PART NO.	ITEM LETTER
1	COIN INSERT ASSY - 7UP	1	134759-12	
2	SCAVENGER CHUTE	1	388684	
3	SCAVENGER RETAINER	1	388220	U
4	SCAVENGER LEVER	1	388690	
5	SPRING	1	387849	
6	T-HANDLE CHUTE	1	389240	
7	COIN INSERT CHUTE ASSY	1	133428	
8	COIN INSERT CHUTE	1	389065	
9	COVER - COIN INSERT CHUTE	1	389066	U
10	T-HANDLE HOLE COVER	1	389707	
11	CORRECT CHANGE LAMP	1	387124	
12	COIN INSERT CASTING	1	1006126-1	VV, WW
13	SELECTION PANEL ASSY - 8 SEL	1	134773	
14	PUSH BUTTON ASSY - 7UP	8	134788	
15	LAMP - SOLD OUT	1	383991	
16	SWITCH	1	368299	
17	HOUSING - BUTTON - 7UP	1	389764	
18	SPRING - SELECTION BUTTON	1	388858	
19	BUTTON - 7UP	1	389763	
20	RAIL - BUTTON SIDE	1	389812	I
21	SELECTION PANEL STUD ASSY - 8 SEL	1	134771 ²⁶	
22	WINDOW - 7UP	8	389765 ²⁶	
23	RAIL - WINDOW SIDE	1	389811	
24	VAPOR SEAL	1	388123-385132	
25	HOUSING	1	387597	J, XX
26	CARRIAGE BOLT	A/R	V329258-2	
27	T-HANDLE ASSEMBLY	1	134761	
28	E-RETAINER	1	387719	
29	WASHER	1	387718	
30	SPRING	1	389691	
31	HEX WASHER	1	387600	
32	E-RETAINER	1	388589	
33	SPRING	1	387598	
34	HANDLE	1	387603	
35	STUD	1	389999	
36	PIN	1	387601	

NOTE: ITEM LETTER "HARDWARE" LISTED ON PAGE A-6