



“UNIVENDOR PARTS SECTION”
PART SECTION

PART ORDERING PROCEDURE	A2
MATERIAL RETURN PROCEDURE	A3
REFRIGERATION RETURN PROCEDURE.....	A3
READING A PARTS LIST	A4
KIT LIST.....	A5
COMMON PARTS	
CABINET ASSEMBLY	A6 - A7
STACK CHASSIS ASSEMBLY.....	A8 - A9
VEND MECH ASSEMBLY.....	A10 - A11
REFRIGERATION ASSEMBLY.....	A12 - A13
QUICKER-LOCK ASSEMBLY.....	A14 - A15
COKE PARTS SECTION B	
MAIN DOOR	B1 - B2
OUTER DOOR	B3 - B4
SELECTION PANEL.....	B5 - B8
LIGHT ASSEMBLY.....	B9 - B10
COKE VANDAL RESISTANT PARTS SECTION C	
MAIN DOOR	C1 - C2
OUTER DOOR	C3 - C4
SELECTION PANEL.....	C5 - C8
QUICK - LOCK ASSEMBLY	C9 - C10
LIGHT ASSEMBLY	C11 - C12
DR PEPPER VANDAL-RESISTANT PART SECTION D	
MAIN DOOR	D1 - D2
OUTER DOOR	D3 - D6
SELECTION PANEL.....	D7 - D10
PEPSI PARTS SECTION E	
MAIN DOOR - 39" WIDE	E1 - E2
OUTER DOOR - 39" WIDE	E3 - E6
MAIN DOOR - 32" WIDE	E7 - E8
OUTER DOOR - 32" WIDE	E9 - E12
SELECTION PANEL.....	E13 - E14
TRADE PARTS SECTION F	
MAIN DOOR - FLAT FACE	F1 - F4
OUTER DOOR - FLAT FACE.....	F5 - F6
MAIN DOOR - CURVED FACE.....	F7 - F8
OUTER DOOR - CURVED.....	F9 - F12
SELECTION PANEL.....	F13 - F14
SEVEN-UP MAIN DOOR.....	F15 - F16
SEVEN-UP OUTER DOOR	F17 - F20
SEVEN-UP SELECTION PANEL	F21 - F22
MINI TRADE BUTTON	
CURVED TRADE MAIN DOOR	F23 - F24
TRADE SELECTION PANEL	F25 - F26
TRADE OUTER DOOR	F27 - F30
ROBO-DOOR PARTS SECTION G	
MAIN DOOR - FLAT	G1 - G2
OUTER DOOR - FLAT	G3 - G6
SELECTION PANEL / DOOR LATCH.....	G7 - G8
CABINET ASSEMBLY	G9 - G10



PARTS ORDERING PROCEDURE

WHEN ORDERING PARTS, INCLUDE THE FOLLOWING INFORMATION:

1. SHIPPING ADDRESS.
2. ADDRESS WHERE THE INVOICE SHOULD BE SENT.
3. THE PARTS NUMBERS OR PARTS IDENTIFICATION.
 - A. ALWAYS REFER TO THE PARTINENTS PARTS AND SERVICE MANUAL(S) FOR THE CORRECT PART NUMBERS AND PART DESCRIPTION. IF YOU DO NOT HAVE THE RIGHT PARTS MANUAL AT THE TIME OF YOUR ORDER, CONTACT THE VENDO COMPANY, 7209 NORTH INGRAM AVENUE, FRESNO, CALIFORNIA 93650 OR CALL (888) 836-3626.
 - B. DO NOT HOLD THE ORDER PENDING RECEIPT OF THE PARTS MANUAL. USE AS COMPLETE OF A DESCRIPTION AS YOU CAN. INCLUDE THE MODEL AND SERIAL NUMBERS OF THE MACHINE, NAME OF THE ASSEMBLY IN WHICH THE PART IS USED AND, IF PRACTICAL, A SAMPLE PART. ALSO, FURNISH ANY FURTHER INFORMATION THAT WILL ENABLE OUR DEPARTMENT TO PINPOINT THE EXACT PART NEEDED.
4. THE QUANTITY OF PARTS REQUIRED.
5. ALWAYS INCLUDE ON THE ORDER THE MODEL AND THE SERIAL NUMBER OF THE VENDOR FOR WHICH THE PARTS ARE NEEDED.
6. LIST ANY SPECIAL SHIPPING INSTRUCTIONS.
 - A. ALWAYS NOTE ON THE ORDER IF YOU REQUIRE UNITED PARCEL SERVICE (UPS), AIR, AIR SPECIAL, TRUCK OR PARCEL POST SHIPPING. NORMAL MODE OF SHIPPING FROM VENDO IS UPS GROUND.
 - B. IF A SPECIFIC CARRIER IS DESIRED, ALSO NOTE THAT ON THE ORDER.
 - C. FREIGHT CHARGES WILL BE ADDED TO THE PARTS INVOICE.
7. SIGN AND DATE THE ORDER. KEEP A COPY FOR YOUR RECORDS.
8. WHEN A PURCHASE ORDER IS USED, BE SURE THAT IT IS LEGIBLE AND VISIBLE.
9. MAIL YOUR ORDER TO "THE VENDO COMPANY, 7209 NORTH INGRAM AVENUE, FRESNO, CALIFORNIA 93650.
10. ALL ORDER ARE CAREFULLY PACKED AND INSPECTED PRIOR TO SHIPMENT. REPORT ANY PACKING LIST DISCREPANCIES TO PARTS DEPARTMENT WITHIN FIVE (5) DAYS OF RECEIPT OF ORDER. DAMAGE INCURRED DURING SHIPPING SHOULD BE REPORTED AT ONCE AND A CLAIM FILED WITH THE TERMINATING CARRIER.

NOTE: WHEN "RIGHT" AND "LEFT" ARE USED IN CONNECTION WITH THE NAME OF A PART, IT IS TAKEN TO MEAN THAT THE PERSON IS FACING THE VENDOR WITH ALL DOORS CLOSED.



MATERIAL RETURN PROCEDURE

All items returned must be accompanied by Material Return Tags (P/N L1496) clearly stating the reason for return. (Tags are available from our Parts Department upon request). To replace an inoperative part, please use the following instructions.

1. If a spare part was taken from your available parts stock and used to replace an operative part.
 - A. Complete the return tag making sure to fill in ALL requested information.
 - B. Keep top (white) copy for your records.
 - C. Attach tag to inoperative parts and send it by the cheapest method of transportation(usually UPS ground), to "THE VENDO COMPANY, 4015 EAST RAINES ROAD, MEMPHIS, TENNESSEE, 38118.
 - D. A like part will be shipped:
 1. At no charge our inspection shows that the inoperative part became defective in warranty.
 2. And invoiced if the inoperative part does not meet the terms of the warranty.

NOTE: The returned part will be scrapped to eliminates any further handling charges.

2. If spare part is not available:
 - A. Order part using parts ordering procedure. The part will shipped and invoiced to you.
 - B. After the part is received, follow the procedure outline above in step 1.
 1. Be sure to check the box marked "credit" and to fill in the invoice number covered the part.
 - C. If our inspection shows that the inoperative part was defective in warranty, a credit will be issued to cancel the invoice on which the replacement part was shipped. This credit will include any prepaid transportation charges.
 1. To receive credit, the inoperative part must be returned within 30 days from the date the replacement was shipped.
 2. Vendo does not issue cash credit for the return of any part or accessory.

REFRIGERATION RETURN PROCEDURE

Refrigeration units require a separate Refrigeration Return Tag (P/N L1322) for each unit returned. The procedure is the same as the material return, except the white (top) copy is attached to the unit, and you keep the copy for your records. All refrigeration units are to be returned to THE VENDO COMPANY, 4015 EAST RAINES ROAD, MEMPHIS, TENNESSEE 38118. The return tag must be filled out in its entirety. Refrigeration units should also be shipped via the cheapest method of transportation (usually UPS ground).



READING A PARTS LIST

- I **ITEM NUMBER** is found in two locations:
 - A. It is on the drawing plate, and identifies the part and its location;
 - B. The same number is in the parts lists and ties the two together.
 - II **PART NUMBER** is the part number that has been assigned to a specific part by Vendo, for easier identification.
 - III **QUANTITY REQUIRED** related to the amount requires of a part, or will be indicated by “A/R” as required to attach it to another part.
 - IV **PART NAME AND DESCRIPTION** is the general description for the part, for easier identification when ordering a like part.
-

The example below will show how the parts are listed in the parts lists:

- 1. **VEND MOTOR ASSEMBLY:** This is the main assembly named, and any replaceable parts will be indented below the assembly.
- 2. **RETAINER CAM:** This is an individual part, and will be indented. These indented parts can be ordered separately, so you do not need to order the entire assembly.
- 3. Whenever an assembly is ordered, all the parts that are indented will be included in the assembly. Any hardware will be listed next to their corresponding parts.
- 4. Any parts that may be ordered separately will not have any indented parts listed below them.

“UNIVENDOR” VEND MOTOR ASSEMBLY

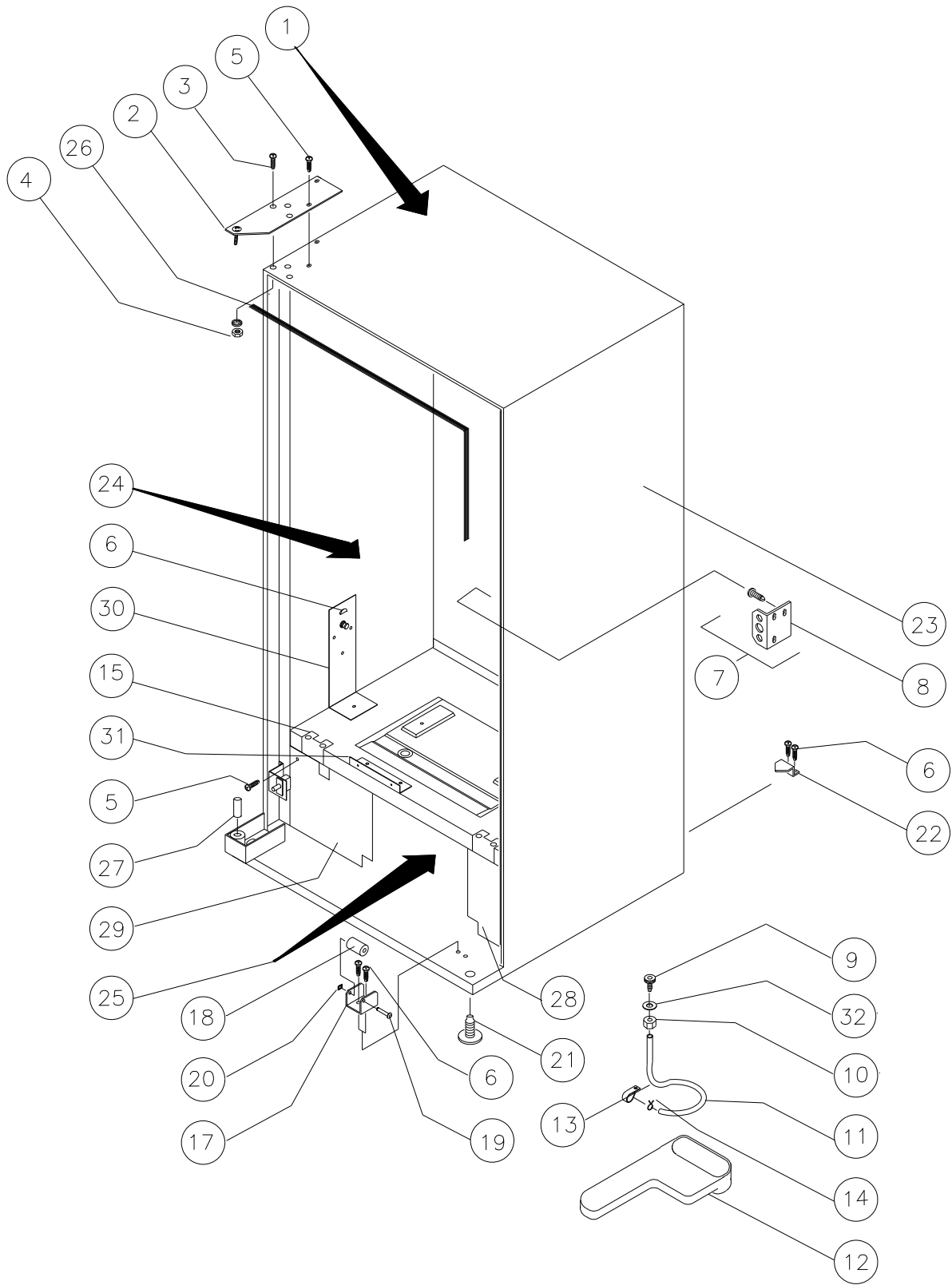
ITEM NO.	PART NO.	QTY REQ'D	DESCRIPTION
1	133787-1	-	VEND MOTOR ASSEMBLY
2	1113244	1	RETAINER CAM
3	1113236	1	TIMING CAM
4	388687	1	CARRIER SWITCH
5	388688	1	START SWITCH
6	340025-3	1	INSULATOR
7	388637	1	VEND MOTOR, Motor Stack
8	V384341	2	PH TAP SCREW 4- 4 x 1 1/8
9	V801422	3	HH TAP SCREW 10- 16 x 1/2

If an asterisk is listed below the parts list, it is an indication that special information is noted. There may be more than one (*) (**) (***) asterisk denoting special notes.



“UNIVENDOR” KIT LIST

DESCRIPTION	KIT NUMBER
CASTER KIT	133513
CASTER W/ BRAKE KIT	133513-1
SINGLE TO 4 PRICE - COKE & PEPSI	133590
SINGLE TO 4 PRICE - TRADE	133591
MAKA TO MARS ELECTRONIC CONTROL ADAPTER 1987	133652
INNER - OUTER DOOR LOCK	1019635
INNER - OUTER DOOR LOCK	1008544
COIN BOX LOCK - PEPSI, COKE, TRADE & DR PEPPER DOM III	133450
T-HANDLE LOCK COVER KIT PEPSI - TRADE	1035193
T-HANDLE LOCK COVER KIT	1047795
COIN INSERT COVER PLATE KIT COKE	134394
COIN INSERT COVER PLATE KIT PEPSI - TRADE	134395
LOCK STUD COVER KIT	134401
LOCK COVER KIT (SLIM / SLANTED)	134547
HONOR GARD / GLEN VIEW HOUSING KIT	133556
BOTTLE OPENER KIT - PEPSI, COKE, TRADE	133453
CROWN BOX KIT - PEPSI & TRADE	133555
CROWN BOX KIT - COKE	133555-1
VENDOR SUPPORT KIT - BLACK BRACKETS	133666
VENDOR SUPPORT KIT - RED BRACKETS	133666-1
DOOR POWER SWITCH KIT U.K.	1034472
DOOR POWER SWITCH KIT U.K. (FRONTIER)	1035649
COKE P.O.S PLATE KIT (SMALL)	133686
VEND DOOR BUMPER KIT	134397
WATER SHIELD KIT - COINCO ELECTRONIC	134414
BILL VALIDATOR ADAPTER KIT (STANDOFF - PEPSI TRADE)	133585
VENDOR TIMER KIT SINGLE PRICE	133733
QUICKER LOCK RETROFIT KIT	1033093
24 HOUR TIMER NO BATTERY BACKUP	1032542
24 HOUR TIMER WITH BATTERY BACKUP	1032542-1
7 DAY TIMER WITH BATTERY BACKUP	1032542-2
7 DAY TIMER NO BATTERY BACKUP	1032542-3
INNER DOOR GASKET KIT (32 x 66)	133681
INNER DOOR GASKET KIT (32 x 72)	133681-1
INNER DOOR GASKET KIT (39 x 66)	133681-2
INNER DOOR GASKET KIT (39 x 72)	133681-3
INNER DOOR GASKET KIT (39 x 79)	133681-4



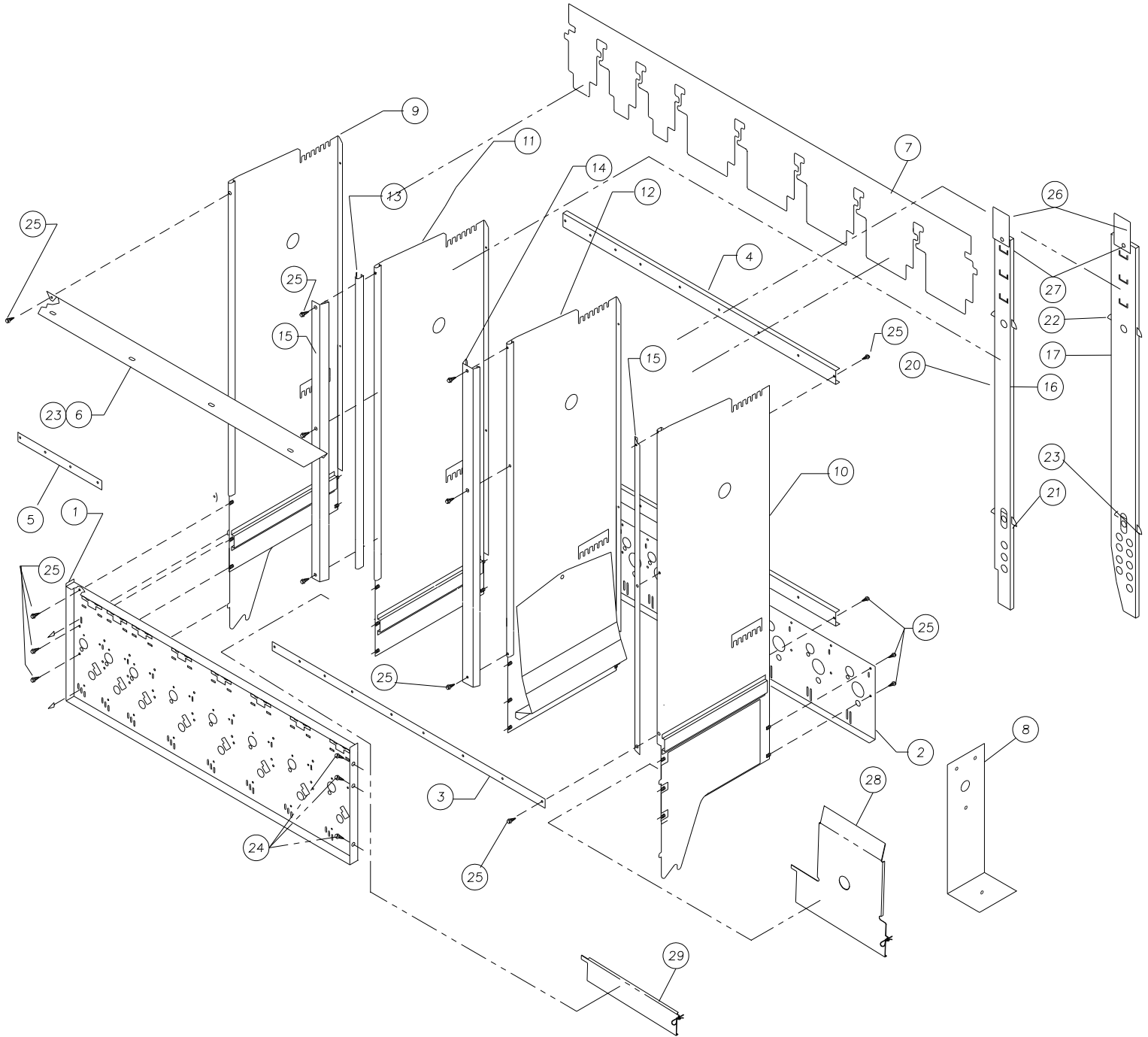


“UNIVENDOR” CABINET ASSEMBLY

ITEM NO.	MODEL NUMBERS		260 - 270	296 - 310 324	388 - 392 406	450 - 460 470 - 490
	PART NAME & DESCRIPTION	REQ.	PART NO.	PART NO.	PART NO.	PART NO.
*1	CABINET (FOAM) ASSEMBLY	1	~	~	~	~
2	TOP HINGE WELD ASSEMBLY	1	134478	134478	134478	134478
3	CARRIAGE BOLT - HINGE	1	V801434	V801434	V801434	V801434
4	HEX NUT W/ LOCK WASHER	3	V800959	V800959	V800959	V800959
5	SELF-DRILL SCREW	A/R	V801489	V801489	V801489	V801489
6	TAPPING SCREW	A/R	V801360	V801360	V801360	V801360
**7	QUICK - LOCK ASSEMBLY	1	1018469	1018469	1018469	1018469
8	LATCH BRACKET	1	1027115	1027115	1027115	1027115
9	DRAIN TUBE	1	1068678	1068678	1068678	1068678
10	NUT - DRAIN TUBE	1	387925	387925	387925	387925
11	DRAIN TUBING	A/R	340061	340061	340061	340061
12	CONDENSATE PAN	1	339840	339840	339840	339840
13	STRAP ADJUSTABLE - TUBING	1	342621	342621	342621	342621
14	CLIP - TUBING TO PAN	2	321304	321304	321304	321304
15	CLOSURE CAP	2	388143	388143	388143	388143
16	DELIVERY CHUTE - NOT SHOWN	1	389590	389590	388778	388778
17	ROLLER BRACKET - DOOR LIFT	1	388096	388096	388096	388096
18	ROLLER	1	368656	368656	368656	368656
19	PIN - ROLLER	1	V802053	V802053	V802053	V802053
20	RETAINER - PIN	1	V802054	V802054	V802054	V802054
21	LEVELING LEG	1	1059902	1059902	1059902	1059905
22	BRACKET - REFRIGERATION	2	388387	388387	388387	388387
23	SIDE DECAL - SEE PG.	2	~	~	~	~
24	STACK ASSEMBLY - SEE PG. A-8	1	~	~	~	~
25	REFRIGERATION ASSY-SEE PG. A-12	1	~	~	~	~
26	RAIN GASKET	1	389463-1	389463-1	389463	389463
27	HINGE PIN	1	389071	389071	389071	389071
28	AIR DAM RIGHT	1	388917	388917	388917	388917
29	AIR DAM LEFT	1	1035851	1035851	1035851-1	1035851-1
30	STACK SUPPORT - SEE PG. A-8	2	~	~	~	~
31	BRACKET - CHUTE	1	388086	388086	388086	388086
32	WASHER	1	387837	387837	387837	387837

* NOTE: WHEN ORDERING OUTER ASSEMBLY, PLEASE PROVIDE **9-CODE** AND **MANUFACTURER’S DATE CODE**.

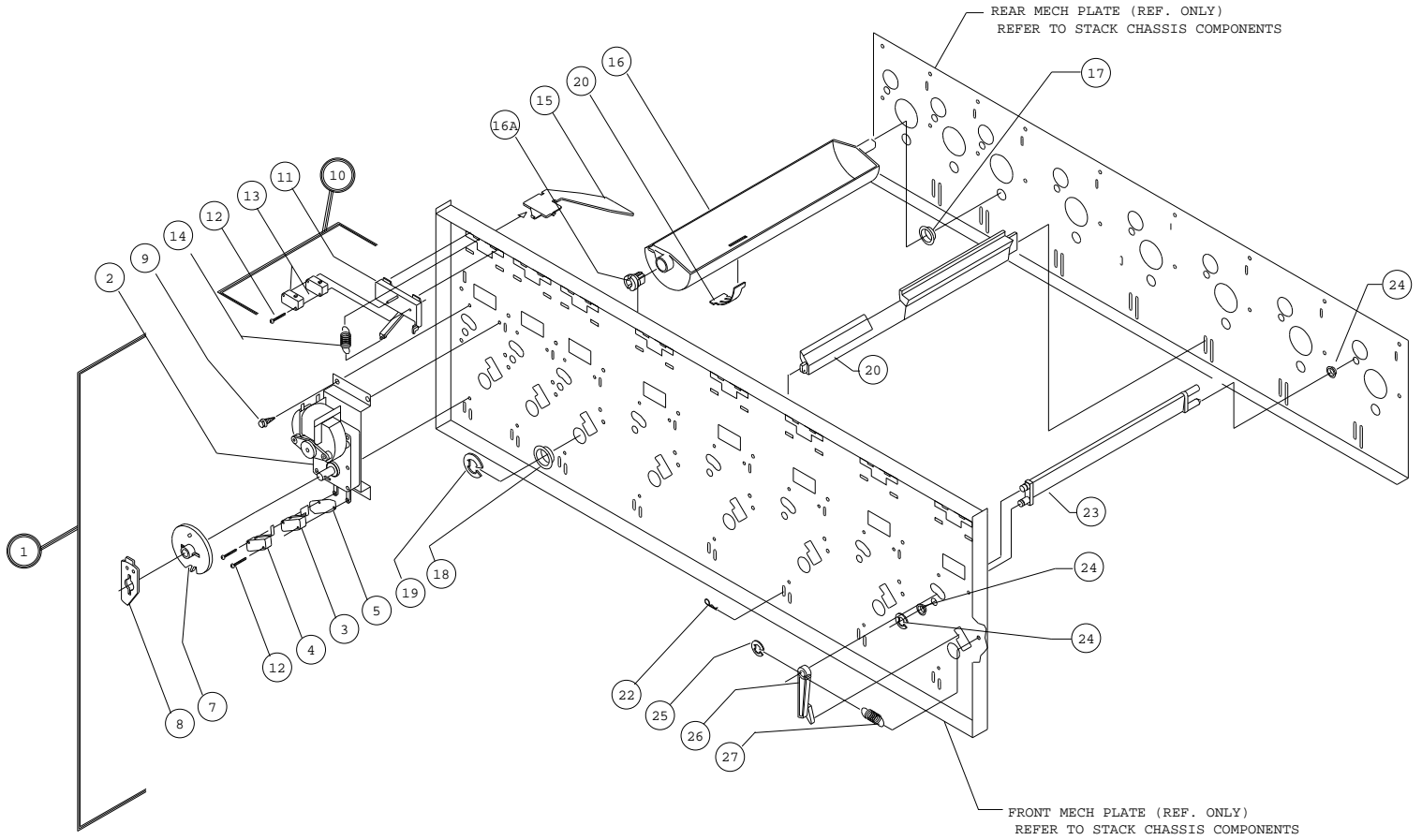
** NOTE: SEE PAGE A-14 FOR ASSEMBLY DRAWING.





UNIVENDOR™ STACK CHASSIS COMPONENTS

ITEM NO.	MODEL NUMBER		270 - 280	310 - 324	388 - 392 406	460 - 470 490
	PART NAME & DESCRIPTION	REQ.	PART NO.	PART NO.	PART NO.	PART NO.
1	FRONT MECH PLATE	1	388969	388880	388880	388880
2	REAR MECH PLATE	1	388970	388881	388881	388881
3	FRONT STRAP	1	388971	388891	388891	388891
4	REAR STRAP	2	388972	388892	388892	388892
5	FRONT STRAP	1	388971	388891	388891	388891
6	TOP SUPPORT	1	388973	388883	388883	388883
7	AIR BAFFLE	1	389095	388893	388893	388893
8	STACK SUPPORT ASSY.	2	133685-4	133685	133685	133685
9	PARTITION WELD ASSY. - LEFT SIDE	1	133659-2	133659-1	133659-1	133659
~	PARTITION WELD ASSY. - LF. SD. (7=0)	1	134313	134313-1	134313-1	134313
10	PARTITION WELD ASSY. RIGHT SIDE	1	133662	133662-1	133662-1	133662
~	PARTITION WELD ASSY. RT. SD. (2+8)	1	134312-2	134312-1	134312-1	134312
~	RIGHT SIDE PARTIAL (4+2, 4+4)	1	134496-2	134498-1	134498-1	134498
11	PARTITION WELD ASSY. SINGLE COL.	A/R	133660-2	133660-1	133660-1	133660
12	PARTITION WELD ASSY. - STAG. COL.	A/R	133661-2	133661-1	133661-1	133661
13	PRODUCT RETAINER - SING. COL.	A/R	388874	388874-1	388874-1	388874
14	PRODUCT RETAINER - STAG. COL.	A/R	388947-2	388947-1	388947-1	388947
15	PRODUCT RETAINER - SIDE	2	388948-2	388948-1	388948-1	388948
16	BACKSPACER - SINGLE COLUMN	A/R	388694-2	388694-1	388694-1	388694
17	BACKSPACER - STAGGERED COL.	A/R	388783-2	388783-1	388783-1	388783
18	MECH COVER - NOT SHOWN	1	388838-1	388838-1	388838	388838
19	VEND CHUTE - NOT SHOWN	1	389100	389100	388778	388778
20	BACKSPACER HANGER SINGLE COL.	A/R	388695	388695	388695	388695
21	BACKSPACER HANGER LOWER SING.	A/R	389470	388889	388889	388889
22	BACKSPACER HANGER - UPPER STAG.	A/R	388887	388887	388887	388887
23	BACKSPACER HANGER - LOWER STAG.	A/R	388888	388888	388888	388888
24	SCREW	A/R	V801490	V801490	V801490	V801490
25	SCREW	A/R	V801422	V801422	V801422	V801422
26	KEEPER BACK SPACER	A/R	389992	389992	389992	389992
27	RIVET KEEPER	A/R	V801412	V801412	V801412	V801412
28	SIDE SPACER- STAG. COLUMN 10 OZ. CAN	A/R	388844	388844	388844	388844
29	SIDESPACER - SING. COLUMN 10 OZ. CAN	A/R	389659	389659	389659	389659
30	MOUNTING BRACKET TOP - NOT SHOWN	A/R	388086	388086	388086	388086
31	MOUNTING BRACKET BOT.- NOT SHOWN	A/R	388087	389470	388087	388086
32	VEND MECH HARNESS	1	134323	134327	1008625	133768
33	PLASTIC CLAMP-VEND MECH HARNESS	A/R	388916	388916	388916	388916
34	SCREW (CHUTE & CLAMP)	6	V801489	V801489	V801489	V801489
35	VERTICAL AIR BAFFLE - NOT SHOWN	2	388916	388916	388916	388916



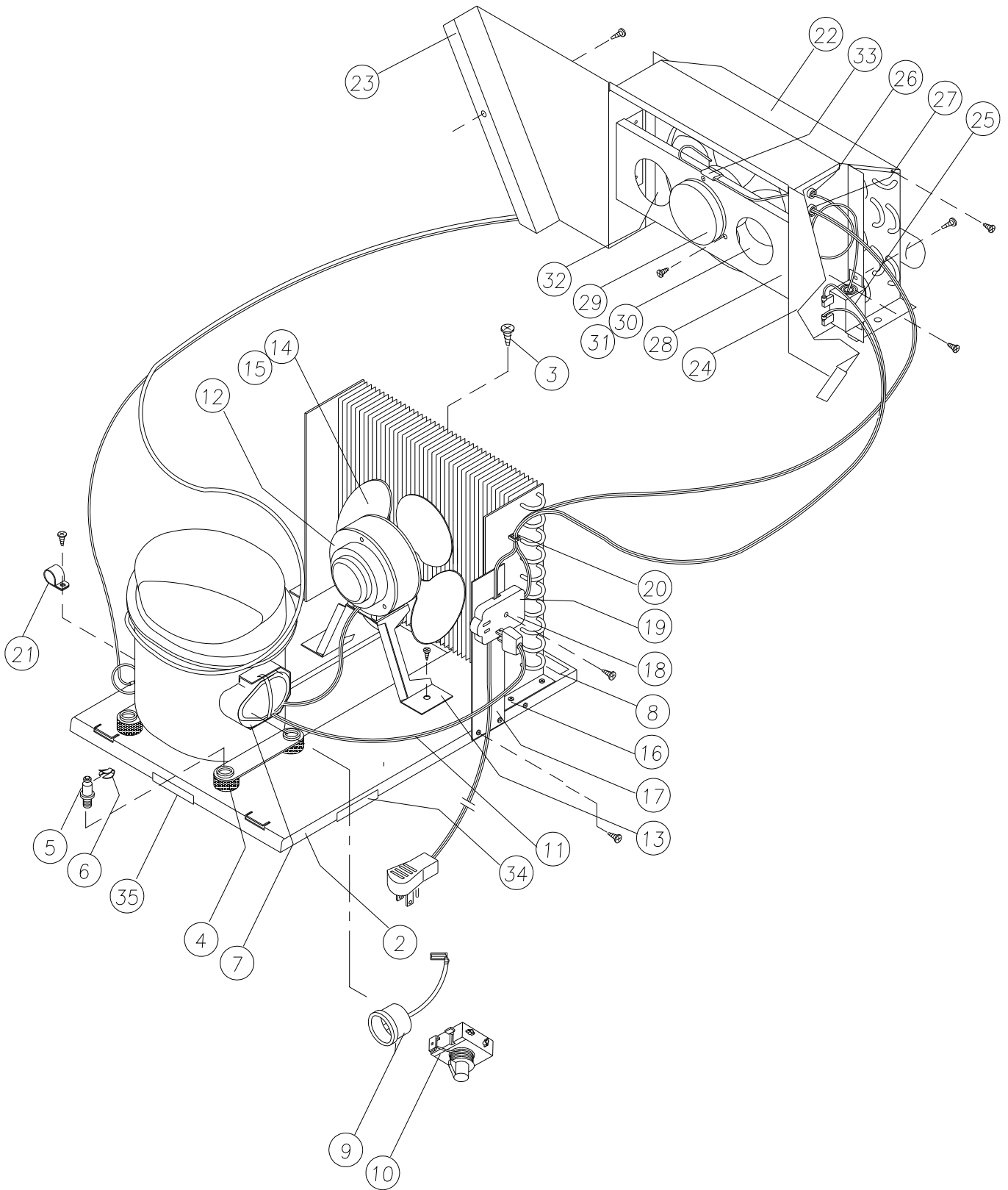


“UNIVENDOR” VEND MECH ASSEMBLY

ITEM NO.	PARTS NAME & DESCRIPTION	REQ	PART NO.
1	VEND MOTOR ASSEMBLY	A/R	133787
2	VEND MOTOR	1	388637
3	START SWITCH	1	388688
4	CARRIER SWITCH	1	388687
5	INSULATOR	1	340025-3
6	SCREW	2	V384341
7	TIMING CAM	1	388661
8	RETAINER - CAM	1	388664
9	SCREW - MOTOR MOUNTING	3	V801422
10	SOLD-OUT LEVER ASSEMBLY	A/R	1069171
11	SWITCH MOUNT - SOLD OUT	1	1005901
12	SCREW - SWITCH MOUNTING	1	V384341
13	SWITCH - SOLD OUT	2	368299
14	SPRING	1	387849
15	SOLD OUT LEVER	1	389242
16	VEND BUCKET	A/R	389416
16A	COUPLING - VEND BUCKET	1	389785
17	BUSHING - VEND BUCKET REAR	A/R	385603-6
18	BUSHING - VEND BUCKET FRONT	A/R	385603-3
19	E-CLIP - VEND BUCKET	A/R	V802007
20	ANTI-THEFT CLIP	A/R	388681
21	GAGE BAR	A/R	1045571
22	COTTER CLIP - GAGE BAR	A/R	387450
23	GATE	A/R	1045563
24	BUSHING - GATE (FRONT AND REAR)	A/R	385603-5
25	E-CLIP - GATE	A/R	V801080
26	GATE LINK	A/R	1120140
27	SPRING	A/R	387849

NOTE: ALL VEND MECH PARTS ARE COMMON TO ALL CONFIGURATION, NARROW & WIDE COLUMN, HEIGHTS, WIDTH, & MODELS.

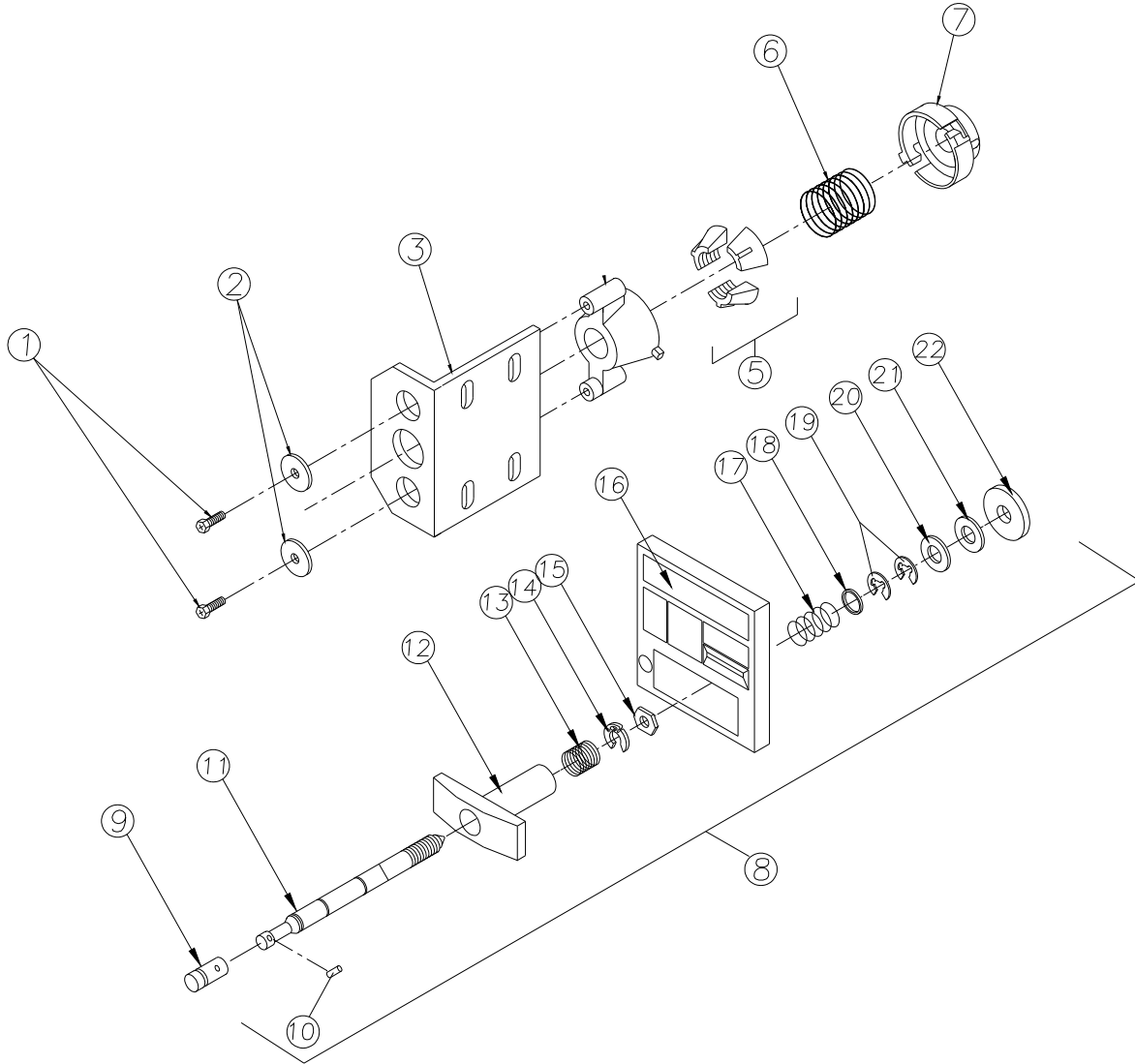
NOTE: WHEN ORDERING STACK ASSEMBLY, PLEASE PROVIDE **9-CODE** AND **MANUFACTURER’S DATE CODE**.





“UNIVENDOR” REFRIGERATION ASSEMBLY

ITEM NO.	PART NAME & DESCRIPTION	RE Q.	PART NO. 1/4 Hp	PART NO. 1/3 Hp
1	V83 REPLACEMENT REFRIGERATION SYSTEM	1	~	1052317
~	V87 REPLACEMENT REFRIGERATION SYSTEM	1	1052309	~
2	BASE - REFRIGERATION	1	388907	388907
3	SCREW - REFRIG. SYSTEM HOLD-DOWN	1	V802074	802074
4	GROMMET - COMPRESSOR MOUNT	4	323090-1	323090-1
5	STUD - COMPRESSOR MOUNT	2	390102	390102
6	CLIP - COMPRESSOR MOUNT	2	343874	343874
7	COVER - OVERLOAD	1	344308	344308
~	BAIL STRAP - COVER	1	344306	344306
8	NAME PLATE - REFRIGERATION	1	~	~
9	OVERLOAD PROTECTOR	1	45052-28	45052-27
10	START RELAY	1	333894-4	333894-15
11	COMPRESSOR CORD	1	344105	344105
~	MACHINE SCREW	A/R	V800586	V800586
12	FAN MOTOR - CONDENSER	1	42321-35	42321-36
13	BRACKET - CONDENSER	1	389797	389797
~	SCREW - 1/4-20 SEMS	2	V801360	V801360
14	FAN BLADE - CONDENSER FAN	1	389602	389602
15	RETAINER CLIP	1	V42323	V42323
16	TINNERMAN - CONDENSER MOUNT	2	916923	916923
~	SCREW - #10 SELF DRILL	2	V800267	V800267
17	BRACKET - SERVICE CORD	1	390366	390366
~	MACHINE SCREW	A/R	V801489	V801489
18	SERVICE CORD	1	134754	134754
~	MACHINE SCREW	1	V800512	V800512
19	BRASS NUT - CORD EYELET	2	344105	344105
20	CLAMP - WIRE ROUTING	1	384692-3	384692-2
21	CLAMP - DRIER	1	384692-3	384692-3
22	TOP COVER - EVAPORATOR	1	388793	388793
23	LEFT EXTENSION - EVAPORATOR	1	388795-1	388795-1
24	RIGHT EXTENSION - EVAPORATOR	1	388795	388795
25	TEMPERATURE CONTROL	1	368794	368794
26	BUSHING - TEMP. CONTROL PROBE	1	389747	389747
27	BUSHING - EVAPORATOR FAN WIRE	1	327699-2	327699-2
28	BRACKET - EVAPORATOR FAN MOTOR	1	320266-1	1004204
29	FAN MOTOR - EVAPORATOR	1	42321-44	42321-44
30	FAN BLADE - EVAPORATOR FAN	1	1001272	1001272
31	RETAINER CLIP - FAN BLADE	1	V42323	V42323
32	ORIFICE PLATE - EVAPORATOR	1	385434	385434
33	CLIP - TEMP. CONTROL PROBE	1	1030612	1030612
34	EDGE TRIM - BASE (SHORT)	1	388304-1	388304-1
35	EDGE TRIM - BASE (LONG)	1	388304	388304





UNIVENDOR™ QUICK-LOCK ASSEMBLY (HEAVY DUTY)

ITEM NO.	PART NAME & DESCRIPTION	REQ.	PART NO.
~	QUICKER-LOCK ASS'Y - STANDARD VENDOR	1	1037676
1	SCREW TAPPING	2	V802044
2	WASHER	2	389026
3	LATCH BRACKET - STANDARD VENDOR	1	1027115
4	RETAINER NUT	1	389022
5	NUT SEGMENT	3	1033085
6	SPRING - HEAVY DUTY	1	389690
7	CAP - HEAVY DUTY	1	1111988
8	T-HANDLE ASSEMBLY - SEE NOTE BELOW	1	~
9	SPRING - HEAVY DUTY	1	389691
10	PIN	1	387601
11	STUD	1	1049732
12	HANDLE	1	387603
13	SPRING	1	389691
14	E-RETAINER	1	388589
15	HEX WASHER	1	387600
16	COIN INSERT CASTING	1	1006096
17	SPRING	1	389691
18	WASHER	1	387718
19	E-RETAINER	1	389719
20	FLAT WASHER	1	V801023
21	FLAT WASHER	1	V801023
22	VAPOR SEAL	1	388132

NOTE: HEAVY DUTY SPRING MUST BE USED IN T-HANDLE ASSEMBLY IF HEAVY DUTY QUICK-LOCK ASSEMBLY IS USED.

ALL PARTS ARE INTERCHANGEABLE BETWEEN STANDARD AND SMALL VENDORS WITH THE EXCEPTION OF THE LATCH BRACKET.

ALL PARTS ARE INTERCHANGEABLE BETWEEN HEAVY DUTY AND STANDARD QUICK-LOCK ASSEMBLIES WITH THE EXCEPTION OF THE SPRING AND CAP.