

10.95



“UNIVENDOR” MILITARY MAIN DOOR - FLAT

ITEM NO.	MODEL NUMBER		388 - 392 406	450 - 460 470 - 490
	PART NAME & DESCRIPTION	REQ.	PART NO.	PART NO.
*1	OUTER DOOR ASSEMBLY	1	~	~
2	SIGN FACE - COLD DRINKS	1	388496	388496
~	SIGN FACE - NEW GRAPHICS	1	388490-5	388490-2
3	MID PANEL - BROWN	1	134766-4	134767-4
4	LOWER PANEL - BROWN	1	134765-4	134765-4
5	DOOR GUARD - BROWN	1	133629-23	133629-9
6	VALIDATOR PLUG - BROWN	1	133539-4	133539-4
~	VALIDATOR GASKET (NOT SHOWN)	1	388846	388846
~	STAND-OFF NUT (NOT SHOWN)	1	V802045	V802045
7	T-HANDLE ASSEMBLY - SEE PG. I-6	1	~	~
8	SELECTION PANEL - SEE PG. I-6	1	~	~
9	DOOR FRAME WELD - BROWN	1	133537-32	133537-30
10	INNER DOOR ASSEMBLY - FINAL	1	134302-3	134302-4
11	INNER DOOR GASKET	1	389622	389622-4
12	KNOB INNER DOOR	1	388305	388305
13	CARRIAGE BOLT	1	V329258	V329258
14	GROMMET	1	388090	388090
15	INNER DOOR PANEL	1	133438-1	133438
16	HINGE - INNER DOOR	2	388148	388148
17	SELF - DRILL SCREW (#10-16)	6	V801489	V801489
18	HINGE PIN	1	389985	389985
19	TAPPING SCREW - PIN	5	V800570	V800570
20	DELIVERY EYELET DOOR (REVERSIBLE)	1	1013076	1013076

***NOTE: WHEN ORDERING OUTER DOOR ASSEMBLY, PLEASE PROVIDE 9-CODE AND MANUFACTURER'S DATE CODE.**



“UNIVENDOR” MILITARY OUTER DOOR - FLAT

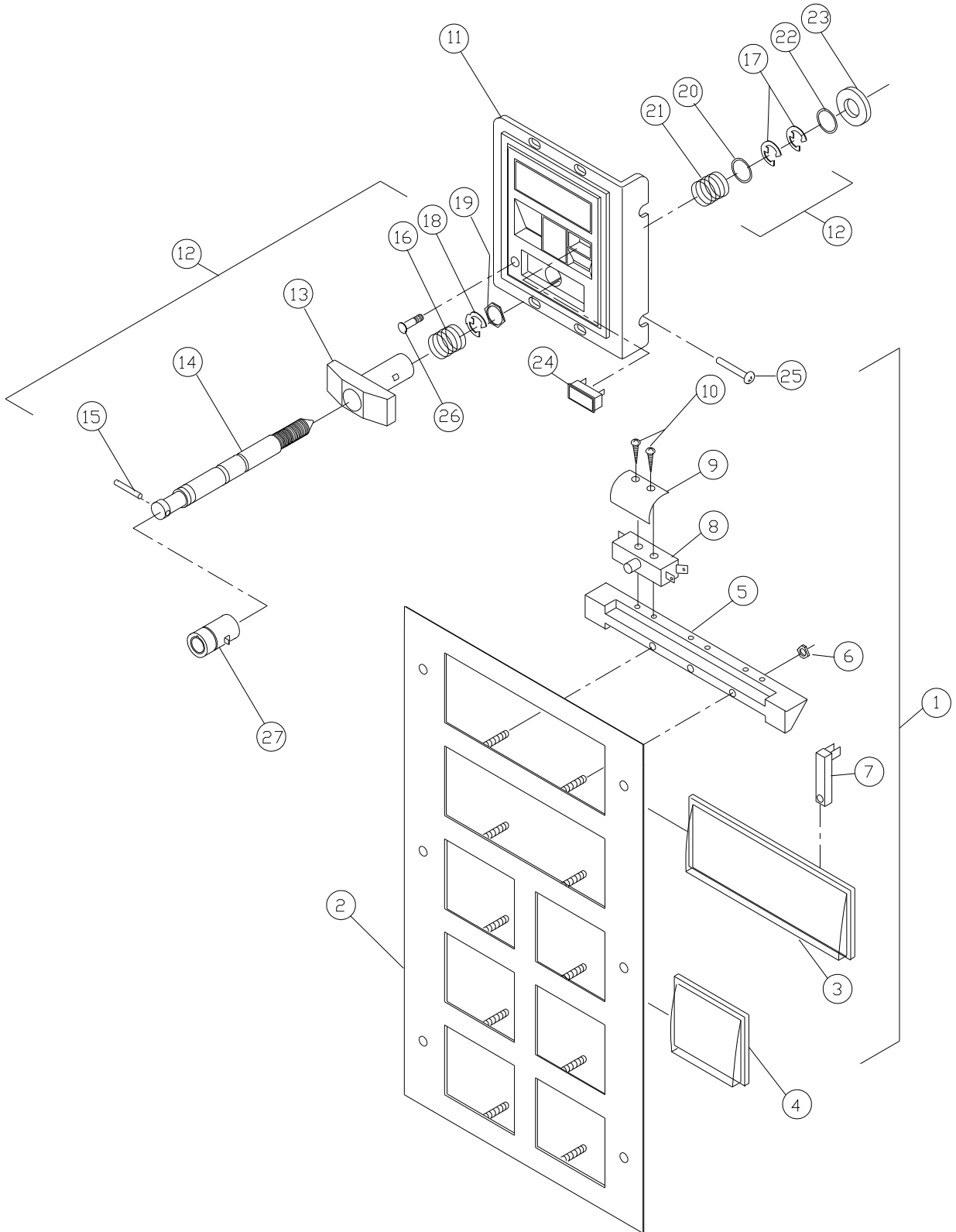
ITEM NO.	MODEL NUMBER		388 - 392 406	450 - 460 470 - 490
	PART NAME & DESCRIPTION	REQ.	PART NO.	PART NO.
*1	OUTER DOOR ASSEMBLY	1	~	~
2	CREDIT RELAY	1	353343	353343
3	SCREW - COINAGE 8-32 x 5/16	AR	V800762	V800762
4	LATCH - COINAGE DOOR	1	389612	389612
5	COINAGE DOOR ASSEMBLY	1	388127	388127
6	DELIVERY HOPPER ASSEMBLY	1	133574	133574
7	BARRIER PANEL	1	388244	388244
8	BULKHEAD	1	388119	388119
9	HINGE - INNER DOOR	2	388149	388149
10	PLATE - UPPER DOOR HINGE	1	388443	388443
11	SIGN RETAINER	1	389431-3	389431-1
12	TIE DOWN PANEL MOUNT	AR	388359-1	388359-1
13	STRIKE	1	388433	388433
14	BUMPER - DOOR	1	369466	369466
15	COIN BOX	1	133563	133563
16	LIGHT PANEL	1	388518	388518
17	SHEAR PANEL - LOWER	1	388117	388117
18	POP RIVET	5	V801471	V801471
19	DOOR RAIN GUARD	1	133647-20	133647-20
20	RAIN GUTTER	1	388581-1	388581-1
21	BUSHING - DOOR HINGE	2	388094	388094
22	FLAT WASHER - BOTTOM HINGE	2	V801491	V801491
23	SIGN TRIM - TOP/BOTTOM	1	388284-3	388284-3
24	SIGN TRIM - LEFT	1	388284-6	388284-5
25	LIGHT HARNESS ASSEMBLY - SEE PG. A-5	AR	~	~
26	RAMP - INNER DOOR	1	388367	388367
27	EYELET TRIM	1	387125	387125
28	TAPPING SCREW - TRIM	6	V801493	V801493
29	SCAVENGER CHUTE - RAIN GUARD	1	388944	388944
30	SCAVENGER RETAINER	1	388220	388220
31	TAPPING SCREW 8-18 x 1/2	AR	V800612	V800612
32	SPRING LEVER	1	387849	387849
33	SCAVENGER LEVER	1	390274	390274
34	COIN INSERT CHUTE ASSEMBLY	1	134759	134759
35	COIN ENTRANCE CHUTE	1	389065	389065
36	COVER - COIN CHUTE	1	389066	389066
37	SELF TAPPING SCREW (#8-10)	AR	V801493	V801493
38	CUP - COIN RETURN	1	388111	388111
39	COIN RETURN DOOR	1	389790	389790
40	CUP WASHER	AR	337241-1	337241-1
41	COIN RETURN TRIM	1	389791	389791
42	CROWN BLOCKER	1	388455	388455

***NOTE: WHEN ORDERING OUTER DOOR ASSEMBLY, PLEASE PROVIDE 9-CODE AND MANUFACTURER'S DATE CODE.**



“UNIVENDOR” MILITARY OUTER DOOR - FLAT (CONTINUED)

ITEM NO.	MODEL NUMBER		388 - 392 406	450 - 460 470 - 490
	PART NAME & DESCRIPTION	REQ.	PART NO.	PART NO.
43	CARRIAGE BOLT - 1/4 - 20 x 3/4	AR	V801434	V801434
44	HEX NUT 1/4 x 20	AR	V800959	V800959
45	SIGN FACE	1	388461-20	388457-9
~	SIGN FACE - NEW GRAPHICS	1	388490-2	388490-2
46	LOWER PANEL - OUTER DOOR	1	389593	389593
47	DOOR GUARD	1	388708-1	388708
48	VALIDATOR PLUG ASSEMBLY	1	133539-2	133539-2
49	T-HANDLE ASSEMBLY - SEE PG. I-6	1	~	~
50	SELECTION PANEL ASSY. - SEE PG. I-6	1	~	~
51	DOOR HARNESS - SEE PG. A-5	1	~	~
52	HEX STAND-OFF 1/4"	AR	V802045	V802045
53	FLAT WASHER	AR	V801455	V801455
54	JONES PLUG COVER	1	389123	389123
55	CROWN BOX	1	133560	133560
56	MID PANEL - OUTER DOOR	1	1008609-1	1008609-1
57	LIGHT - ASSEMBLY	1	134308-10	134308-10
58	STARTER	1	321350	321350
59	LAMP HOLDER - FIXED	2	388531	388531
~	LAMP HOLDER - PLUNGER	2	388532	388532
60	SOCKET - STARTER	1	327675-2	327675-2
61	SCREW (#6-20 x 3/8)	AR	V801329	V801329
62	SCREW 10 - 16 x 5/16	AR	V801421	V801421
63	BALLAST - 60 HZ	1	321345-3	321345-3
~	BALLAST - 50 HZ	1	327390	327390
64	FLUORESCENT LAMP	1	332974	332974
65	GROMMET	1	327021	327021
66	SCREW (#10 - 16 x 1/2)	AR	V801489	V801489
67	T-HANDLE CHUTE	1	389240	389240



10.95



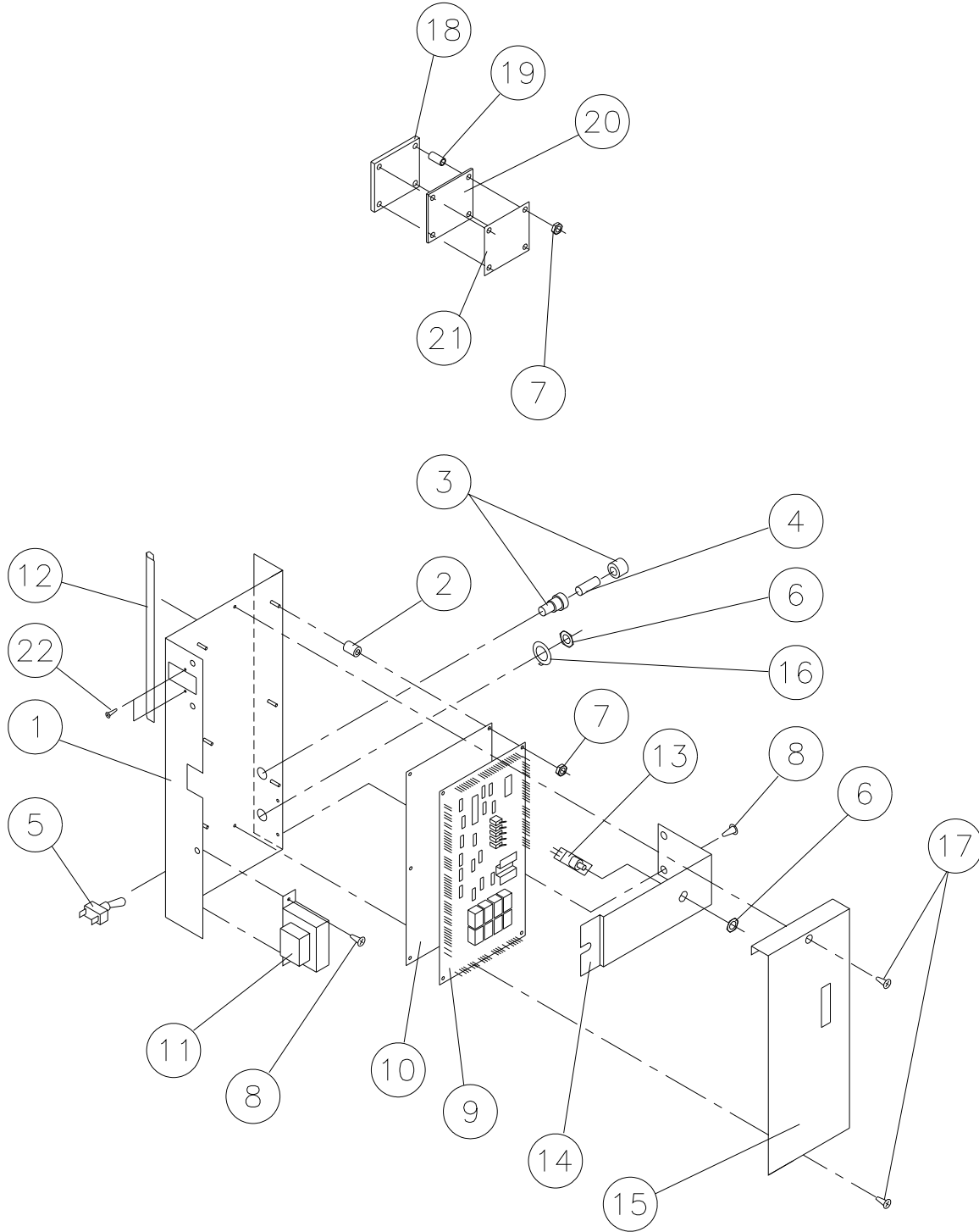
“UNIVENDOR” MILITARY - SELECTION PANEL / DOOR LATCH

ITEM NO.	PART NAME & DESCRIPTION	REQ.	PART NO.
*1	BUTTON ASSEMBLY	1	~
*2	SELECTION PANEL	1	~
3	SELECTION BUTTON - MEDIUM	AR	1062937-1
4	SELECTION BUTTON - SMALL	AR	370841-1
5	BUTTON RETAINER	AR	388360
6	HEX NUT - RETAINER	AR	V800956
7	SOLD-OUT LAMP	AR	383991
8	SELECTION SWITCH	AR	385440
9	LEAF SPRING - SELECTION BUTTON	AR	388444
10	TAPPING SCREW - SWITCH 6-12 x 1/8	AR	V801499
11	COIN INSERT CASTING	1	389780
12	LOCK ASSEMBLY	1	134734
13	T-HANDLE	1	387603
14	LOCKING STUD - BOLT	1	388131
15	PIN - STUD	1	387601
16	SPRING	2	389691
17	E-RETAINER RING	2	387719
18	E-RETAINER RING	1	388589
19	HEX FLAT WASHER	1	387600
20	FLAT WASHER	1	387718
21	SPRING - HEAVY	1	389691
22	FLAT WASHER - 1/2"	2	V801023
23	VAPOR SEAL	1	388132
24	CORRECT CHANGE LIGHT	1	387124
25	CARRIAGE BOLT 1/4 - 20 x 3/4	AR	V801434
26	CARRIAGE BOLT 10 -24 x 3/4	1	V802005
**27	KEY AND LOCK ASSEMBLY	AR	~

*NOTE: WHEN ORDERING BUTTON ASSEMBLY AND SELECTION PANEL, PLEASE PROVIDE **9-CODE AND MANUFACTURER'S DATE CODE.**

**NOTE: KEY AND LOCK CAN BE ORDERED THROUGH VENGUARD.

Vendo®



10.95



“UNIVENDOR” ELECTRONIC ASSEMBLY

ITEM NO.	PART NAME & DESCRIPTION	REQ.	PART NO.
1	CONTROL BOARD BRACKET	1	134699
2	SPACER - CONTROL BOARD	6	387238
3	FUSE HOLDER	1	387966
4	FUSE - 5 AMP.	1	387967
5	POWER SWITCH	1	348683
6	HEX NUT - 3/8 - 32 x 3/32	2	V801449
7	HEX NUT - #6-32	AR	V800891
8	SCREW - SELF-DRILL - 10 - 16 x 1/2	AR	V801489
9	CONTROL BOARD	1	388697
10	INSULATOR - CONTROL BOARD	1	385968
11	TRANSFORMER	1	388914
12	EDGE TRIM	1	388304
13	DOOR SWITCH	1	323007
14	COVER - TRANSFORMER	1	389840
15	COVER CONTROL BOARD	1	389839
16	LOCKING RING	1	387947
17	SCREW - COVER 10 - 16 x 8/16	1	V801421
18	DISPLAY LENS	1	387883
19	SPACER - DISPLAY BOARD	1	387238-2
20	DISPLAY BOARD	1	385963
21	INSULATOR - DISPLAY BOARD	1	385972
22	SCREW - #4-40 x 5/8	2	V800745
23	DISPLAY HARNESS - SEE PG. A -5 (NOT SHOWN)	1	~
24	COINAGE HARNESS - SEE PG. A-5 (NOT SHOWN)	1	~
25	DOOR HARNESS - SEE PG. A-5 (NOT SHOWN)	1	~
26	ELEC. TRANS. HARNESS - SEE PG. A-5 (NOT SHOWN)	1	~

***NOTE: WHEN ORDERING OUTER ASSEMBLY, PLEASE PROVIDE 9-CODE AND MANUFACTURER'S DATE CODE.**