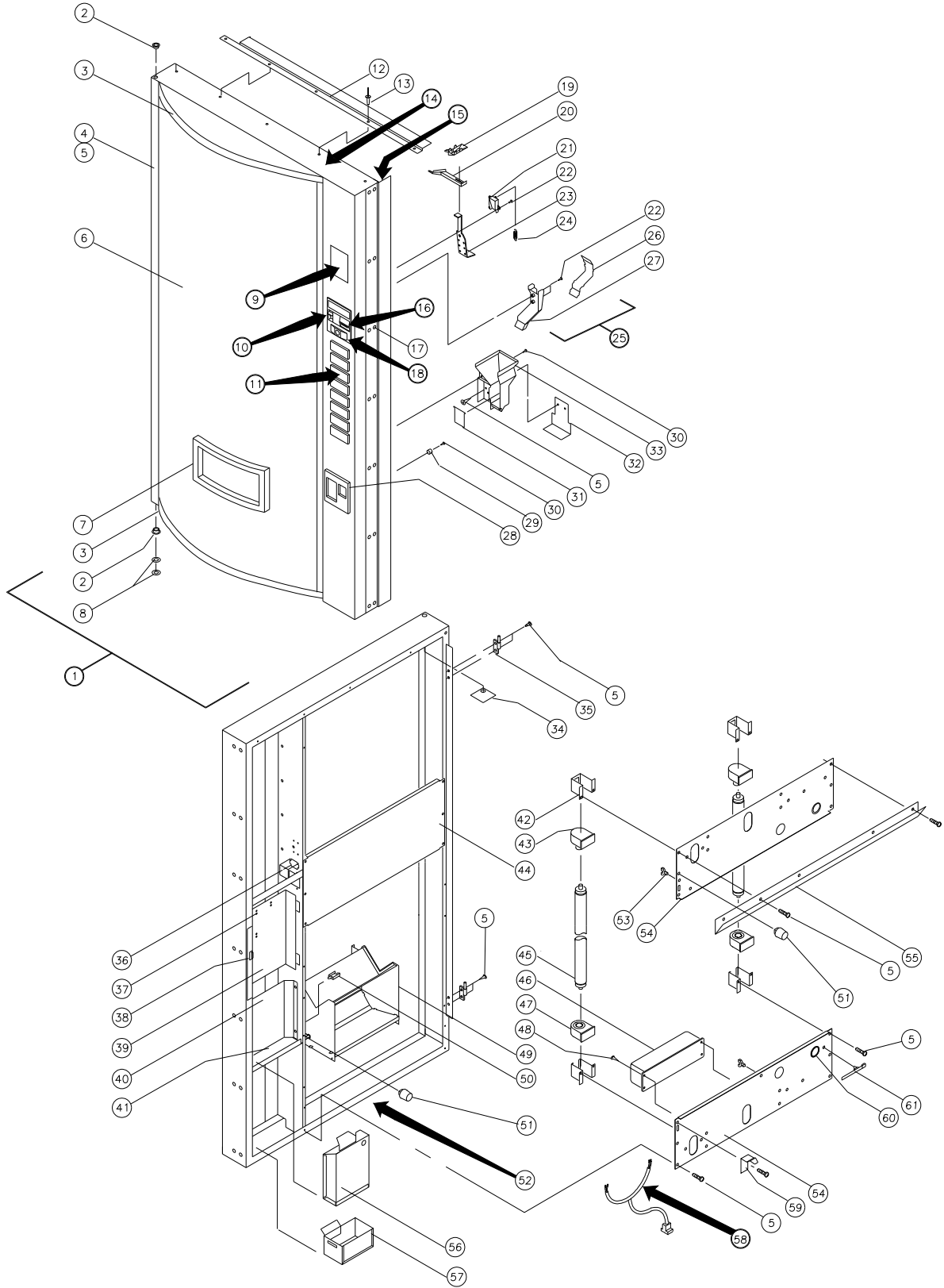




“UNIVENDOR” PEPSI 39’ MAIN DOOR CURVED

ITEM NO.	MODEL NUMBER		388 - 392 406	470 - 490 460
	DESCRIPTION	REQ.	PART NO.	PART NO.
*1	OUTER DOOR ASSEMBLY - SEE PG. E-4	1	~	~
2	LOCK ASSEMBLY - SEE PG. E-10	1	~	~
3	SELECTION PANEL - SEE PG. E-4	1	~	~
4	DOOR HARNESS	1	1020404	1020412
*5	DOOR FRAME WELD	1	133459-1	133459
6	DOOR GUARD	1	133629-4	133629-3
7	SIGN FACE - SEE PG. E-4	1	~	~
8	VALIDATOR PLUG	1	133539-2	133539-2
~	VALIDATOR GASKET (NOT SHOWN)	1	388846	388846
9	INNER DOOR ASSEMBLY (FINAL)	1	134302-3	134302-4
10	INNER DOOR ASSY (FOAMED)	1	133438-1	133438
11	HINGE - INNER DOOR	2	388148	388148
12	HH SELF DRILL SCREW 10-16 x 1/2	AR	V801489	V801489
13	DOOR HANDLE	1	388305	388305
14	CARRIAGE BOLT - HANDLE	1	V329258	V329258
15	GROMMET	2	388090	388090
16	INNER DOOR GASKET KIT - SEE PG. A-6	1	~	~
17	DELIVERY DOOR (REVERSIBLE)	1	1013076	1013076
18	HINGE PIN	1	389985	389985
19	TH TAP SCREW 10-16 x 3/8	AR	V800570	V800570

*NOTE: WHEN ORDERING OUTER DOOR ASSEMBLY, PLEASE PROVIDE **9-CODE** AND **MANUFACTURER’S DATE CODE**.



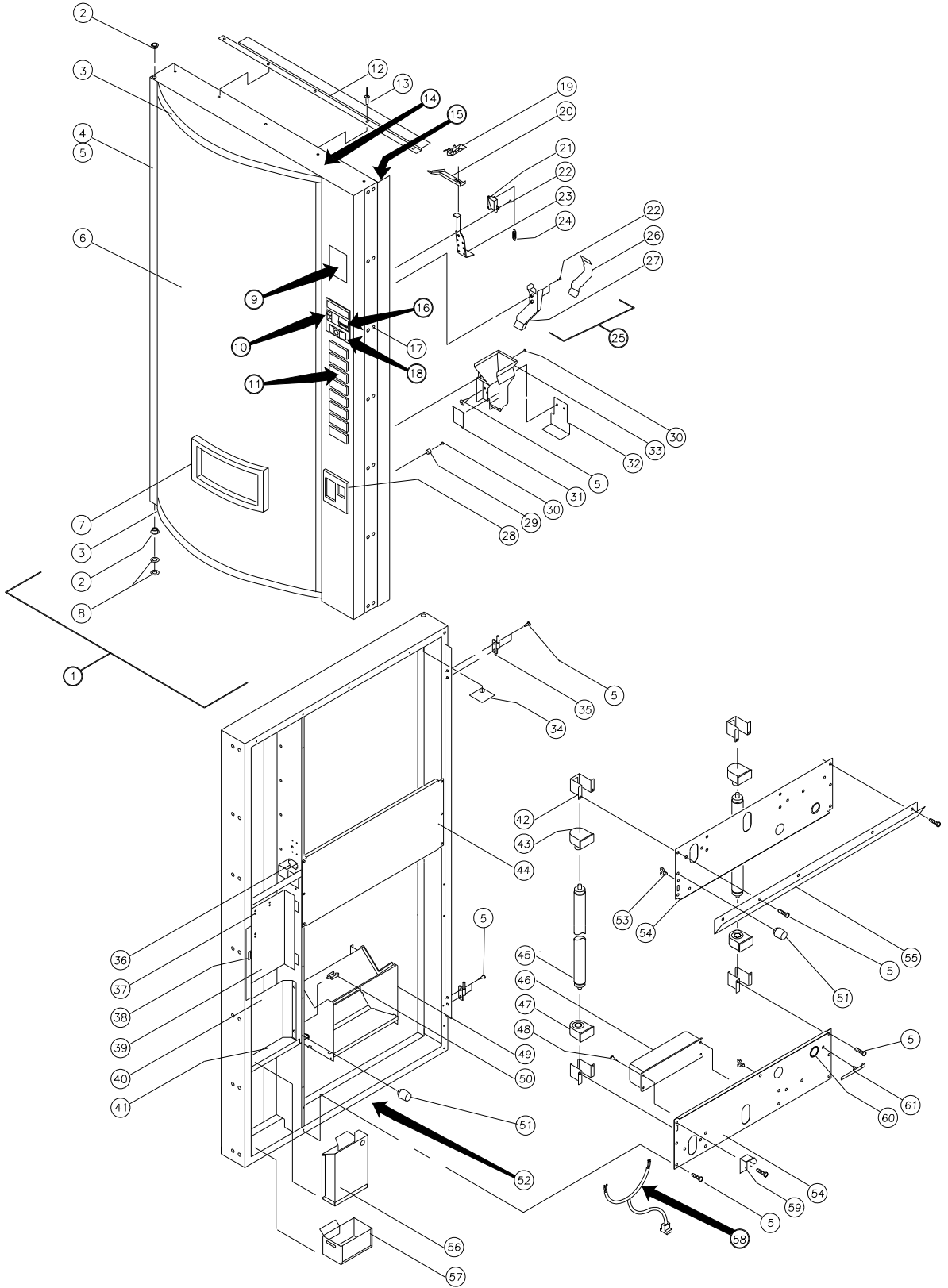


“UNIVENDOR” PEPSI 39” WIDE OUTER DOOR - CURVED

ITEM NO.	MODEL NUMBER		388 - 392 406	460 - 470 490
	DESCRIPTION	REQ.	PART NO.	PART NO.
*1	OUTER DOOR ASSEMBLY - PEPSI 7 SEL.	1	~	~
~	OUTER DOOR ASSEMBLY - PEPSI 8 SEL.	1	~	~
~	OUTER DOOR ASSEMBLY - PEPSI 10 SEL.	1	~	~
~	OUTER DOOR ASSEMBLY - DIET PEPSI 7 SEL.	1	~	~
~	OUTER DOOR ASSEMBLY - DIET PEPSI 8 SEL.	1	~	~
~	OUTER DOOR ASSEMBLY - DIET PEPSI 10 SEL.	1	~	~
2	BUSHING - DOOR HINGE	2	388094	388094
3	SIGN CAP - TOP/BOTTOM	2	388284	388284
4	SIGN FRAME - LEFT	1	388125-2	388125
5	HH SELF DRILL SCREW 10-16 x 1/2	AR	V801489	V801489
**6	SIGN FACE	1	~	~
7	EYELET TRIM	1	388271	388271
~	PH SELF TAP SCREW 8-10 x 1/2	6	V801493	V801493
8	FLAT WASHER - BOTTOM HINGE	2	V801491	V801491
9	VALIDATOR PLUG - SEE PG. E-3	1	~	~
10	COIN INSERT CASTING - SEE PG. E-11	1	~	~
11	SELECTION PANEL - SEE PG. E-11	1	~	~
12	DOOR RAIN GUARD - BLACK	1	133647-2	133647-2
13	RIVET - 1/8 DIA.	5	V801471	V801471
14	DOOR FRAME WELD - SEE PG. E-2	1	~	~
15	DOOR GUARD - SEE PG. E-2	1	~	~
16	CORRECT CHANGE LAMP - SEE PG. E-11	1	~	~
17	CARRIAGE BOLT 1/4-20 x 3/4	AR	V801434	V801434
~	HEX NUT / LOCKWASHER	AR	V800959	V800959
18	T-HANDLE ASSEMBLY - SEE PG. E-11	1	~	~
19	T-HANDLE CHUTE	1	389240	389240
20	SCAVENGER CHUTE	1	388684	388684
21	RETAINER LEVER	1	388220	388220
22	PH TAP SCREW 8-18 X 1/2	AR	V801475	V801475
23	SCAVENGER LEVER	1	390274	390274
24	SPRING - LEVER	1	387849	387849
25	COIN CHUTE ASSEMBLY	1	1034154	1034154
26	COVER - CHUTE	1	1002333	1002333
27	COIN INSERT CHUTE	1	1002341	1002341
28	COIN RETURN TRIM	1	389791	389791
29	CUP WASHER - TRIM	2	337241-1	337241-1
30	PH SELF TAP SCREW 8-10 x 1/2	5	V801493	V801493
31	COIN RETURN DOOR	1	389790	389790
32	CROWN BLOCKER	1	388455	388455
33	CUP - COIN RETURN	1	388111	388111
34	BACKING PLATE	1	388443	388443
35	HINGE - INNER DOOR	2	388149	388149

*NOTE: WHEN ORDERING OUTER DOOR ASSEMBLY, PLEASE PROVIDE **9-CODE** AND **MANUFACTURER'S DATE CODE**.

NOTE: WHEN ORDERING SIGN FACE, PLEASE PROVIDE **STYLE.

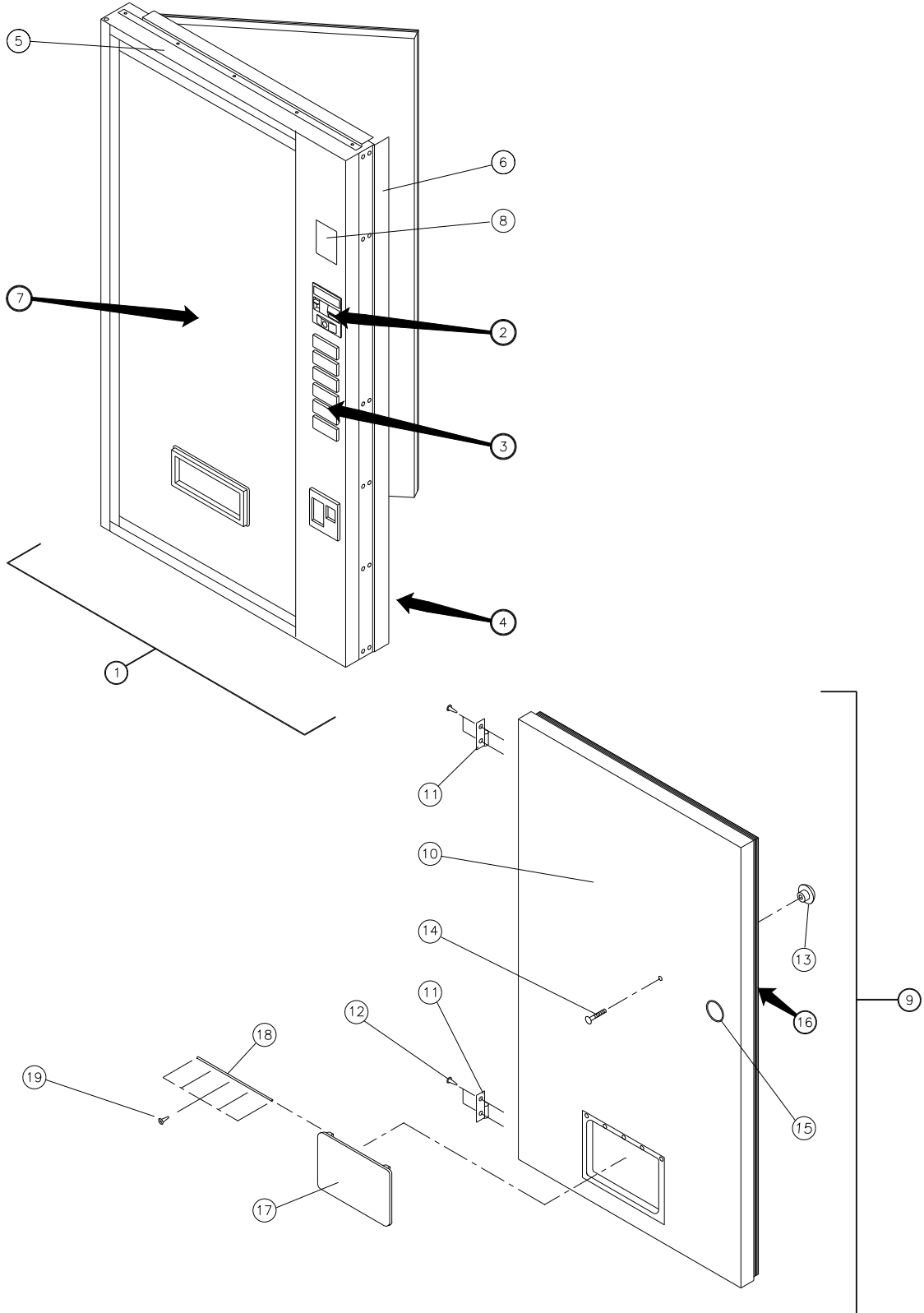




**“UNIVENDOR” PEPSI 39” WIDE OUTER DOOR – CURVED
(CONTINUED)**

36	CREDIT RELAY	1	353343	353343
37	PH TAP SCREW 8-32 x 5/16	3	V800762	V800762
38	LATCH - COINAGE DOOR	1	1071686	1071686
39	COINAGE DOOR ASSEMBLY	1	133435	133435
40	BARRIER PANEL	1	388244	388244
41	BULKHEAD	1	388119	388119
42	BRACKET - LAMPHOLDER	4	1016121	1016121
43	LAMP HOLDER - PLUNGER	2	388260	388260
44	SHEAR PANEL - MIDDLE	1	389834-1	389834-1
45	FLUORESCENT LAMP (SLIM LINE)	2	388320-1	388320
46	BALLAST - LAMP (SLIM LINE)	1	388259	388259
47	LAMP HOLDER - FIXED	2	388261	388261
48	PH TAP SCREW 10-16 x 5/16	4	V801421	V801421
49	DELIVERY HOPPER	1	133574-1	133574-1
50	CLAMP	AR	384692-2	384692-2
51	BUMPER - DOOR	2	1036912	1036912
52	DOOR HARNESS - SEE PG. A-5, A-6	1	~	~
53	HARNESS CLIP	AR	384692-2	384692-2
54	SHEAR PANEL - TOP	1	388117	388117
~	SHEAR PANEL - BOTTOM	1	388117	388117
55	RAIN GUTTER	1	388581-1	388581-1
56	COIN BOX	1	133563	133563
57	CROWN BOX	1	133560	133560
58	LIGHT HARNESS - SEE PG. A-5	1	~	~
59	RAMP CATCH - INNER DOOR	1	1016962	1016962
60	GROMMET	1	327021	327021
61	HARNESS TIE	2	388359-1	388359-1

*NOTE: FOR LABELS AND DECALS: SEE CUSTOMER SERVICE.

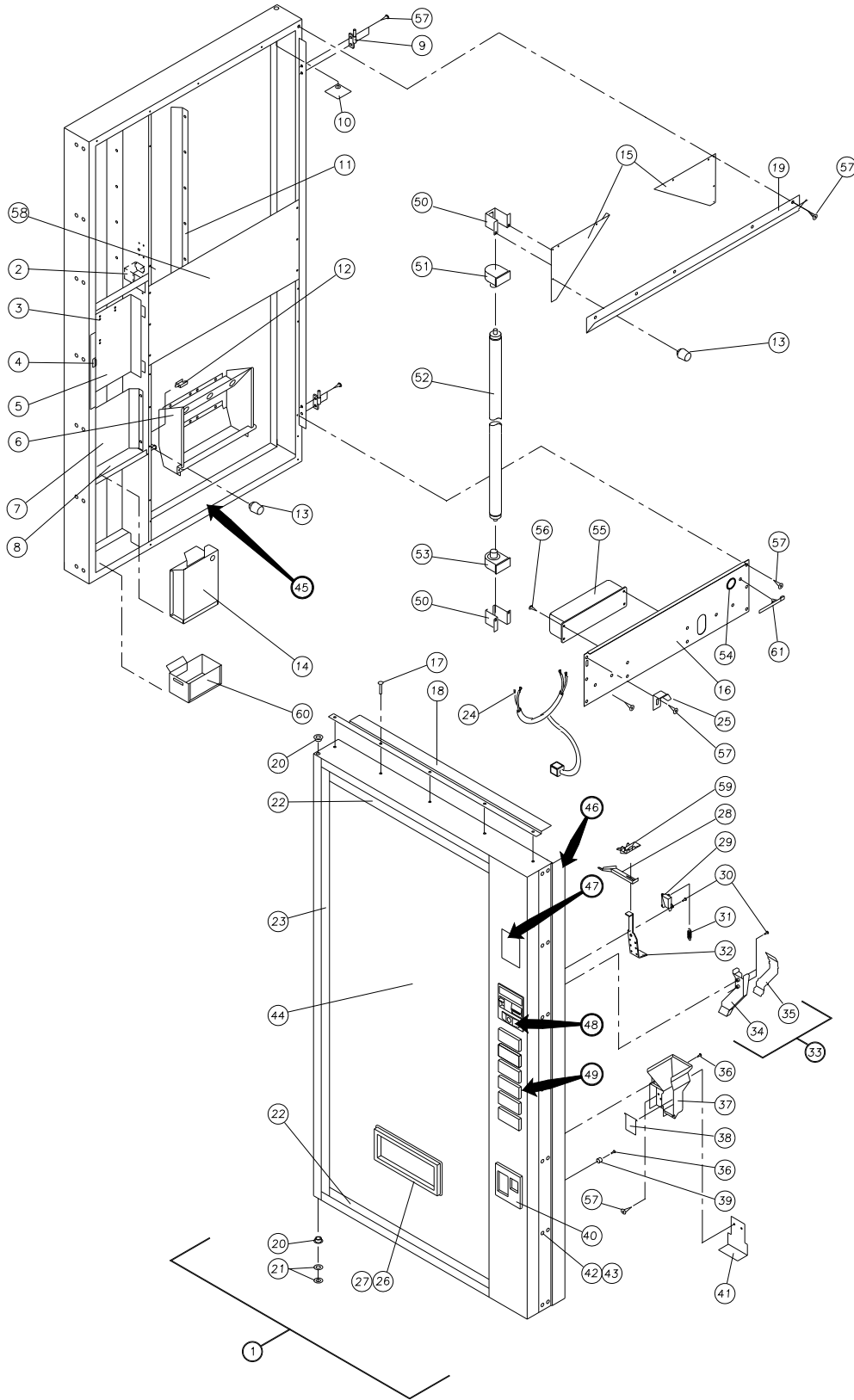




“UNIVENDOR” PEPSI 32” -MAIN DOOR FLAT

ITEM NO.	MODEL NUMBER		270 - 280	310 - 324
	DESCRIPTION	REQ.	PART NO.	PART NO.
1	OUTER DOOR ASSY - SEE PG. E-8	1	~	~
2	LOCK ASSEMBLY - SEE PG. E-11	1	~	~
3	SELECTION PANEL - SEE PG. E-11	1	~	~
4	DOOR HARNESS	1	1020404	1020412
5	DOOR FRAME WELD	1	133459-4	133459-3
6	DOOR GUARD	1	133629-7	133629-4
*7	SIGN FACE	1	~	~
8	VALIDATOR PLUG	1	133539-2	133539-2
~	VALIDATOR GASKET (NOT SHOWN)	1	388846	388846
9	INNER DOOR ASSEMBLY (FINAL)	1	134302	134302-1
10	INNER DOOR ASSEMBLY (FOAMED)	1	133438-4	133438-3
11	HINGE - INNER DOOR	2	388148	388148
12	HH SELF DRILL SCREW 10-16 x 1/2	AR	V801489	V801489
13	DOOR HANDLE	1	388305	388305
14	CARRIAGE BOLT - HANDLE	1	V329258	V329258
15	GROMMET	2	388090	388090
16	INNER DOOR GASKET KIT - SEE PG. A-9	1	~	~
17	DELIVERY DOOR (REVERSIBLE)	1	1013076	1013076
18	HINGE PIN	1	389985	389985
19	TH TAP SCREW 10-16 x 3/8	AR	V800570	V800570

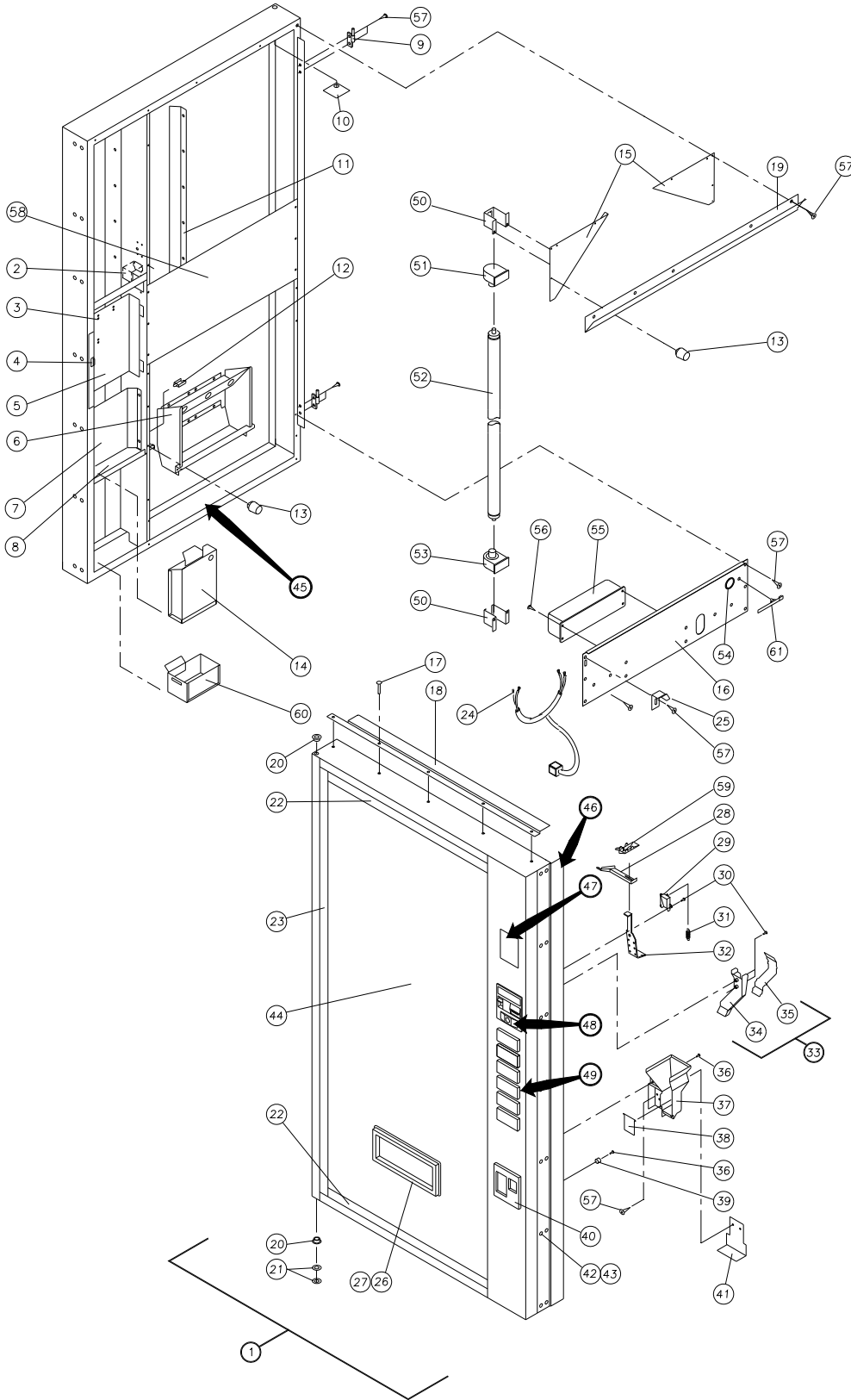
*NOTE: WHEN ORDERING SIGN FACE, PLEASE PROVIDE **STYLE**.





“UNIVENDOR” PEPSI 32” WIDE OUTER DOOR - FLAT

ITEM NO.	DESCRIPTION	MODEL NUMBER	270 - 280	310 - 324
		REQ.	PART NO.	PART NO.
1	OUTER DOOR ASSEMBLY - PEPSI - 6 SELECT	1	133507-4	133507-3
~	OUTER DOOR ASSEMBLY - PEPSI - 7 SELECT	1	133507-25	133507-24
~	OUTER DOOR ASSEMBLY - DIET PEPSI - 6 SELECT	1	133507-9	133507-8
~	OUTER DOOR ASSEMBLY - DIET PEPSI - 7 SELECT	1	133507-30	133507-29
2	CREDIT RELAY	1	353343	353343
3	PH TAP SCREW 8-32 x 5/16	3	V800762	V800762
4	LATCH - COINAGE DOOR	1	1071686	171686
5	COINAGE DOOR ASSEMBLY	1	133435	133435
6	DELIVERY HOPPER ASSEMBLY	1	133574	133574
7	BARRIER PANEL	1	388244	388244
8	BULKHEAD	1	388119	388119
9	HINGE - INNER DOOR	2	388149	388149
10	BACKING PLATE	1	388443	388443
11	SIGN RETAINER	1	388263	388263
12	CLAMP	3	384692-2	384692-2
13	BUMPER - DOOR	2	1036912	1036912
14	COIN BOX	1	133563	133563
15	SAIL PANEL	2	388774	388774
16	SHEAR PANEL - LOWER	1	389624	389624
17	RIVET - 1/8 DIA.	AR	V801471	V801471
18	DOOR RAIN GUARD (BLACK)	1	133647-3	133647-3
19	RAIN GUTTER	1	388581	388581
20	BUSHING - DOOR HINGE	2	388094	388094
21	FLAT WASHER - BOTTOM HINGE	2	V801491	V801491
22	SIGN TRIM - TOP/BOTTOM	1	388284	388284
23	SIGN TRIM - LEFT	1	388284-2	388284-1
24	LIGHT HARNESS ASSEMBLY	1	133422	133422
25	RAMP/CATCH - INNER DOOR	1	1016962	1016962
26	EYELET TRIM	1	387125	387125
27	PAN HEAD TAP SCREW 8-10 x 1/2	6	V801493	V801493
28	SCAVENGER CHUTE - RAIN GUARD	1	388684	388684
29	SCAVENGER LEVER RETAINER	1	388220	388220
30	PH TAP SCREW 8-18 x 1/2	1	V801475	V801475
31	SPRING LEVER	1	387849	387849
32	SCAVENGER LEVER	1	390274	390274
33	COIN INSERT CHUTE ASSEMBLY	1	1034154	1034154
34	COIN ENTRANCE CHUTE	1	1002333	1002333
35	COVER - COIN CHUTE	1	1002341	1002341
36	PAN HEAD TAP SCREW 8-10 x 1/2	AR	V801493	V801493
37	CUP - COIN RETURN	1	388111	388111
38	COIN RETURN DOOR	1	389790	389790
39	CUP WASHER	2	337241-1	337241-1

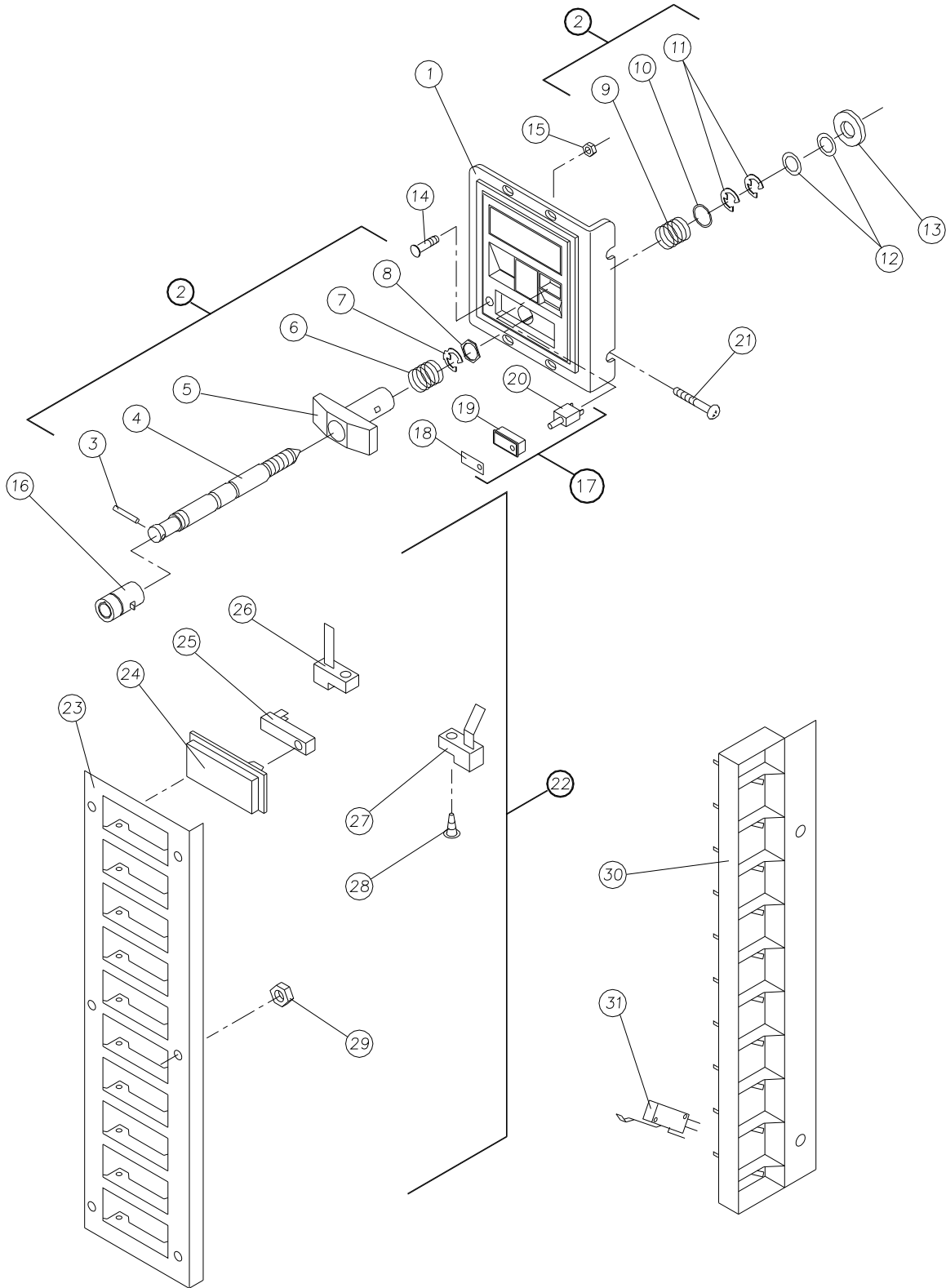




**“UIVENDOR” PEPSI 32” WIDE OUTER DOOR FLAT
(CONTINUED)**

40	COIN RETURN TRIM	1	389791	389791
41	CROWN BLOCKER	1	388455	388455
42	CARRIAGE BOLT	AR	V801434	V801434
43	HEX NUT 1/4 x 20	AR	V800959	V800959
44	SIGN FACE - PEPSI CAN ON ICE	1	1009915-1	1009915
~	SIGN FACE - DIET PEPSI CAN ON ICE	1	1009931-1	1009931
45	DOOR HARNESS SEE PG. A-4	1	~	~
46	DOOR GUARD - SEE PG. D-6	1	~	~
47	VALIDATOR PLUG - SEE PG. D-6	1	~	~
48	T-HANDLE ASSEMBLY - SEE PG. D-12	1	~	~
49	SELECTION PANEL ASSY. - SEE PG. D-12	1	~	~
50	BRACKET - LAMPHOLDER	4	388413	388413
51	LAMP HOLDER - PLUNGER	2	388260	388260
52	FLUORESCENT BULB	2	388320-3	388320-1
53	LAMP HOLDER - FIXED	2	388261	388261
54	GROMMET	1	327021	327021
55	BALLAST	1	388259	388259
56	PH TAP SCREW 10-15 x 5/16	4	V801421	V801421
57	HH SELF DRILL SCREW 10-16 x 1/2	AR	V801489	V801489
58	MID SHEAR PANEL	1	389834	389834
59	T- HANDLE RAIN CHUTE	1	389240	389240
60	CROWN BOX	1	133560	133560
61	HARNESS TIE	2	388359-1	388359-1

*NOTE: WHEN ORDERING SIGN FACE, PLEASE PROVIDE **STYLE**.





“UNIVENDOR” PEPSI SELECTION PANEL/DOOR LATCH

ITEM NO.	DESCRIPTION	REQ'D NO.	PART NO.
1	COIN INSERT CASTING	1	1006126
2	T-HANDLE/LOCK ASSEMBLY-QUICKER	1	1037676
3	PIN - STUD	1	387601
4	LOCKING STUD (BOLT)	1	1049716
5	T-HANDLE	1	387603
6	SPRING	1	389691
7	E-RETAINER RING	1	388589
8	HEX FLAT WASHER	1	387600
9	SPRING - HEAVY DUTY	1	389691
10	FLAT WASHER	1	387718
11	E-RETAINER RING	2	387719
12	FLAT WASHER - 1/2"	2	V801023
13	VAPOR SEAL	1	388132
14	CARRIAGE BOLT	1	V802005
15	HEX NUT	1	V800957
16*	KEY AND LOCK ASSEMBLY	1	~
17	CORRECT CHANGE LIGHT ASSEMBLY	1	1020544
18	CORRECT CHANGE LIGHT LABEL	1	1001973
19	CORRECT CHANGE LIGHT HOUSING	1	1001965
20	CORRECT CHANGE LIGHT	1	388277
21	CARRIAGE BOLT	1	V801434
22	SELECTION PANEL ASSEMBLY (6 SELECT)	1	133508
~	SELECTION PANEL ASSEMBLY (7 SELECT)	1	133508-3
~	SELECTION PANEL ASSEMBLY (8 SELECT)	1	133508-1
~	SELECTION PANEL ASSEMBLY (10 SELECT)	1	133508-2
23	SELECTION PANEL (6 SELECT)	1	133491
~	SELECTION PANEL (7 SELECT)	1	133491-2
~	SELECTION PANEL (8 SELECT)	1	133491-1
~	SELECTION PANEL (10 SELECT)	1	133491-4
24	SELECTION BUTTON	AR	388246
25	SOLD OUT LAMP	AR	383991
26	LEAF SPRING (SHORT)	AR	388725
27	LEAF SPRING (FORMED)	AR	388836
28	PH SELF TAP SCREW 8-10 x 1/2	AR	V801493
29	HEX NUT	AR	V800959
30	SWITCH MOUNT PLATE	1	388258
31	SELECTION SWITCH	AR	337576

* NOTE: KEY AND LOCK CAN BE ORDERED SEPARATELY.