

Vendo®

1989

“UNIVENDOR”TM

PARTS

SUPPLEMENT

MODEL NUMBERS

190

186

182

LITERATURE NUMBER 389686

MAY 1989

NOTE: THIS IS A SUPPLEMENT TO
UNIVENDOR MANUAL (389481).
THIS SUPPLEMENT CONTAINS
ONLY PARTS THAT ARE UNIQUE
TO THE SMALL VENDOR.
THERE WILL BE MANY REFER-
ENCES TO THAT MANUAL, SO,
HAVE IT ON HAND WHEN USING
THIS SUPPLEMENT.



SPECIFICATIONS

SALES MODEL	WIDTH	HEIGHT	FLAT FACE DEPTH	CURVE FACE DEPTH	SHIPPING WEIGHT*	REFRIGERATION H/P
190	29"	59"	26.25	29.25	445	1/4
186 - 182	29"	59"	26.25	29.25	425	1/4

*NOTE: WILL VARY DUE TO DIFFERENT STACK CONFIGURATIONS AND OUTER DOOR STYLES. WEIGHT IS THEREFORE, ONLY A NOMINAL AVERAGE.

SMALL VENDOR MODELS & CONFIGURATIONS

29" X 59"		
190	186	182
5 + 0	3 + 3	1 + 6

VENDING CAPACITIES

SALES MODEL	CANS		BOTTLES			
	RIMLESS		POLY-LABEL'D	RETURNABLE		
	10 OZ.	12 OZ.	10 OZ.	6.5 OZ.	10 OZ.	16 OZ.
190	230	190	190	115	110	90
186	210	186	180	111	105	87
182	202	182	170	107	100	84

1989 QUICK REFERENCE WIRING GUIDE

MODEL	CONFIGURATIONS	DOOR HARNESS	MECH HARNESS	WIRING DIAGRAM	SCEHMATIC
PEPSI					
190	5 SEL. 5 + 0	134541	134537	389511	388885
186	6 SEL. 3 + 3	134326	134538	389097	388885
182	7 SEL. 1 + 6	133778	139619	389061	388885
COKE					
190	5 SEL. 5 + 0	134542	134537	389511	388885
186	6 SEL. 3 + 3	134325	134538	389097	388885
182	6 SEL. 1 + 6	133778	139619	389061	388884
TRADE					
190	5 SEL. 5 + 0	134543	134537	389511	388885
186	6 SEL. 3 + 3	134434	134538	389097	388885

KIT LIST

DESCRIPTION	PART NUMBER
CROWN BOX KIT — PEPSI, & TRADE	134621
CROWN BOX KIT — COKE	134620
6.5 OZ. BOTTLE (SINGLE COL.) 59"	134451-11
6.5 OZ. BOTTLE (STAGGER COL) 59"	134451-12

NOTE: FOR KITS COMMON TO THE LARGER VENDORS SEE UNIVENDOR MANUAL (389481) PAGE A5.

SIDE DECALS

DESCRIPTION	PART NUMBER
PEPSI	388269-7
COKE — DOMESTIC	389188-9
DIET COKE — DOMESTIC	388448-19
COKE — C/E	389188-10
DIET COKE — C/E	388448-17
COKE — C/F	389188-11
DIET COKE — C/F	388448-18

NOTE: FOR TRADE SIDE DECALS PLEASE CALL VENDO CUSTOMER SERVICE. THESE NUMBERS HAVE NOT BEEN RELEASED AT THE TIME OF PUBLISHING.

SUGGESTED SPARE PARTS LIST

DESCRIPTION	KIT NUMBER
BALLAST — LAMP	383982
FLUORESCENT LAMP	383980
LAMP HOLDER PLUNGER	388532
LAMP HOLDER FIXED	388531

NOTE: FOR SELECTION PANEL, VEND MECH & REFRIGERATION SUGGESTED SPARE PARTS SEE UNIVENDOR MANUAL (389481). ALL SELECTION PANEL, VEND MECH & REFRIGERATION PARTS ARE COMMON TO THE LARGER VENDORS.



"UNIVENDOR"TM

COKE
MAIN DOOR

ITEM NO.	PART NAME & DESCRIPTION	NO. REQ.	MODEL NUMBERS
			PART NUMBER
1	OUTER DOOR ASSEMBLY - SEE BELOW	1	-----
2	CONTROL PANEL ASSEMBLY - SEE BELOW	1	-----
3	DOOR HARNESS - SEE UNIVENDOR MANUAL	1	-----
4	INNER DOOR ASSEMBLY	1	133434-10
5	INNER DOOR PANEL ASSEMBLY	1	133438-5

NOTE: FOR MAIN DOOR PARTS NOT LISTED ABOVE, PLEASE SEE UNIVENDOR MANUAL (389481), PAGES B1 AND B2.
FOR THE ILLUSTRATIONS THAT CORRESPOND TO THE ITEMS ABOVE, SEE UNIVENDOR MANUAL (389481), PAGE B1.

COKE
OUTER DOOR

ITEM NUMBER	PART NAME & DESCRIPTION	NUMBER REQ'D	MODEL NUMBERS
			PART NUMBER
---	OUTER DOOR ASSEMBLY - COKE	1	133505-14
---	OUTER DOOR ASSEMBLY - DIET COKE	1	133505-15
1	DOOR FRAME WELD	1	133432-5
4	DOOR GUARD - COKE	1	133629-5
---	DOOR GUARD - DIET COKE	1	133629-6
7	SIGN FACE - COKE	1	389425
---	SIGN FACE - DIET COKE	1	388450-20
8	SIGN CAP - TOP/BOTTOM	2	389305
9	SIGN FRAME - LEFT	1	388125-9
10	SIGN FRAME - RIGHT	1	388125-10
26	CROWN BOX	1	134620
32	SHEAR PANEL - BOTTOM	1	389328
35	BRACKET - LAMP HOLDER	4	389341
36	LAMP HOLDER - PLUNGER	2	388532
37	LAMP HOLDER - FIXED	2	388531
38	FLUORESCENT LAMP - BI-PIN	2	383980
39	BALLAST - LAMP	1	383982
50	DOOR RAIN GUARD - COKE	1	133647-10
---	DOOR RAIN GUARD - DIET COKE	1	133647-11
51	SAIL PANEL	2	389327

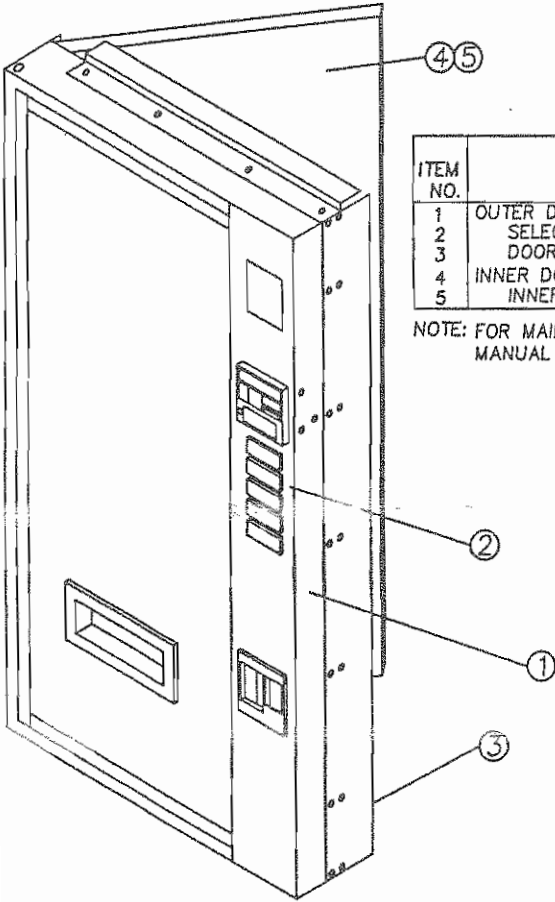
NOTE: FOR OUTER DOOR PARTS NOT LISTED ABOVE, PLEASE SEE UNIVENDOR MANUAL (389481), PAGES B3 AND B4.
FOR THE ILLUSTRATIONS THAT CORRESPOND TO THE ITEMS ABOVE, SEE UNIVENDOR MANUAL (389481), PAGE B3.

COKE
CONTROL PANEL

ITEM NUMBER	PART NAME & DESCRIPTION	NUMBER REQ'D	MODEL NUMBERS
			PART NUMBER
---	CONTROL PANEL ASSEMBLY - 5 SEL.	1	133506-4
---	CONTROL PANEL ASSEMBLY - 6 SEL.	1	133506
1	CONTROL PANEL - 5 SELECT	1	133427-4
---	CONTROL PANEL - 6 SELECT	1	133427

NOTE: FOR CONTROL PANEL PARTS NOT LISTED ABOVE, PLEASE SEE UNIVENDOR MANUAL (389481), PAGES B5 AND B6.
FOR THE ILLUSTRATIONS THAT CORRESPOND TO THE ITEMS ABOVE, SEE UNIVENDOR MANUAL (389481), PAGE B5.

"UNIVENDOR" PEPSI



MAIN DOOR

ITEM NO.	PART NAME & DESCRIPTION	NO. REQ.	MODEL NUMBERS	
			190,186,182	PART NUMBER
1	OUTER DOOR ASSEMBLY - SEE BELOW	1	-----	-----
2	SELECTION PANEL ASSEMBLY - SEE BELOW	1	-----	-----
3	DOOR HARNESS - SEE UNIVENDOR MANUAL	1	-----	-----
4	INNER DOOR ASSEMBLY	1	133434-10	-----
5	INNER DOOR PANEL ASSEMBLY	1	133438-5	-----

NOTE: FOR MAIN DOOR PARTS NOT LISTED ABOVE, PLEASE SEE UNIVENDOR MANUAL (389481), PAGES D1 AND D2.

PEPSI

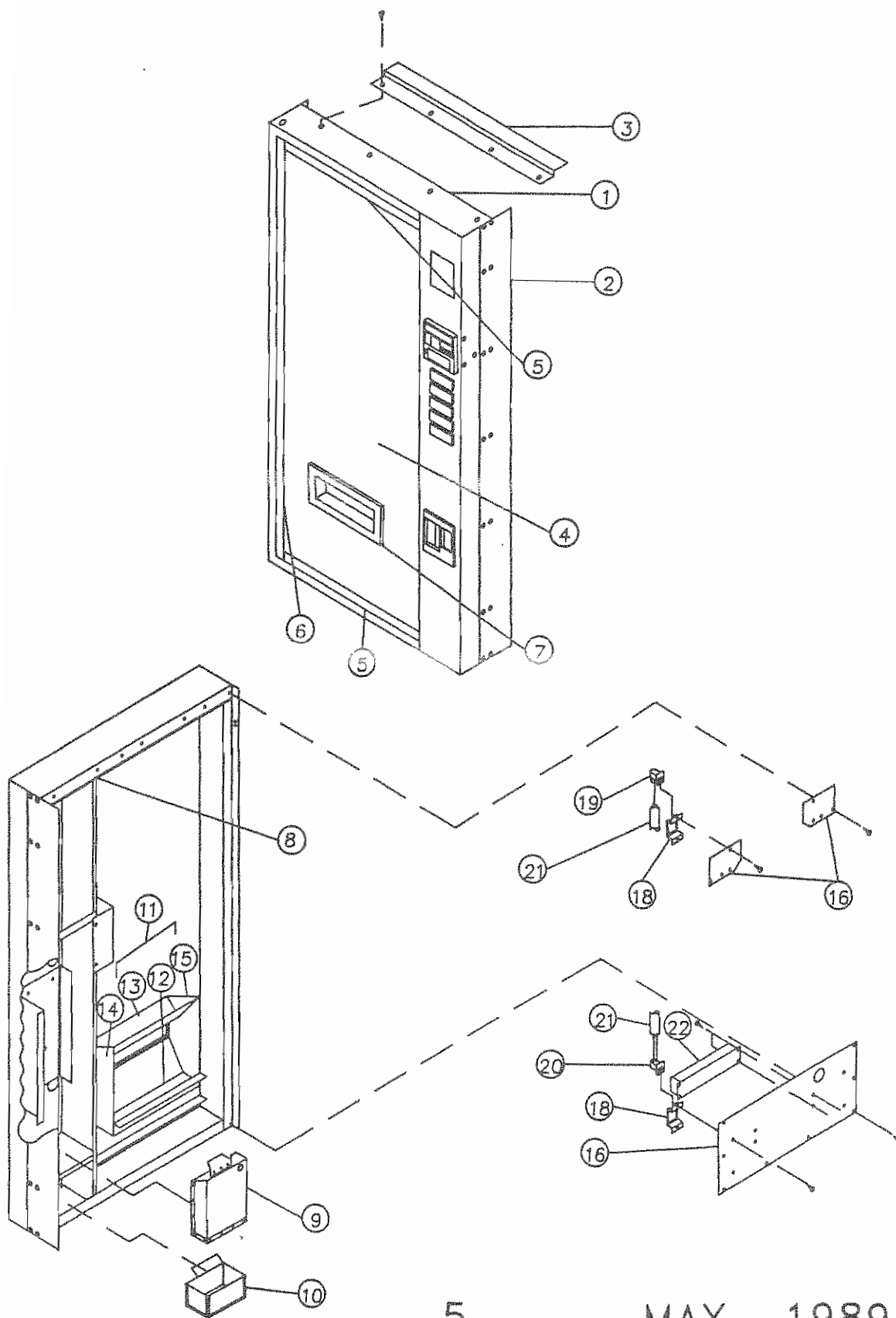
SELECTION PANEL

ITEM NUMBER	PART NAME & DESCRIPTION	NUMBER REQ'D	MODEL NUMBERS	
			190,186,182	PART NUMBER
16	SELECTION PANEL ASSEMBLY - 5 SEL.	1	133508-5	-----
---	SELECTION PANEL ASSEMBLY - 6 SEL.	1	133508	-----
---	SELECTION PANEL ASSEMBLY - 7 SEL.	1	133508-3	-----
17	SELECTION PANEL - 5 SELECT	1	133491-5	-----
---	SELECTION PANEL - 6 SELECT	1	133491	-----
---	SELECTION PANEL - 7 SELECT	1	133491-3	-----

NOTE: FOR SELECTION PANEL PARTS NOT LISTED ABOVE, PLEASE SEE UNIVENDOR MANUAL (389481), PAGES D5 AND D6.

FOR THE ILLUSTRATIONS THAT CORRESPOND TO THE ITEMS ABOVE, SEE UNIVENDOR MANUAL (389481), PAGE D5.

Vendo®



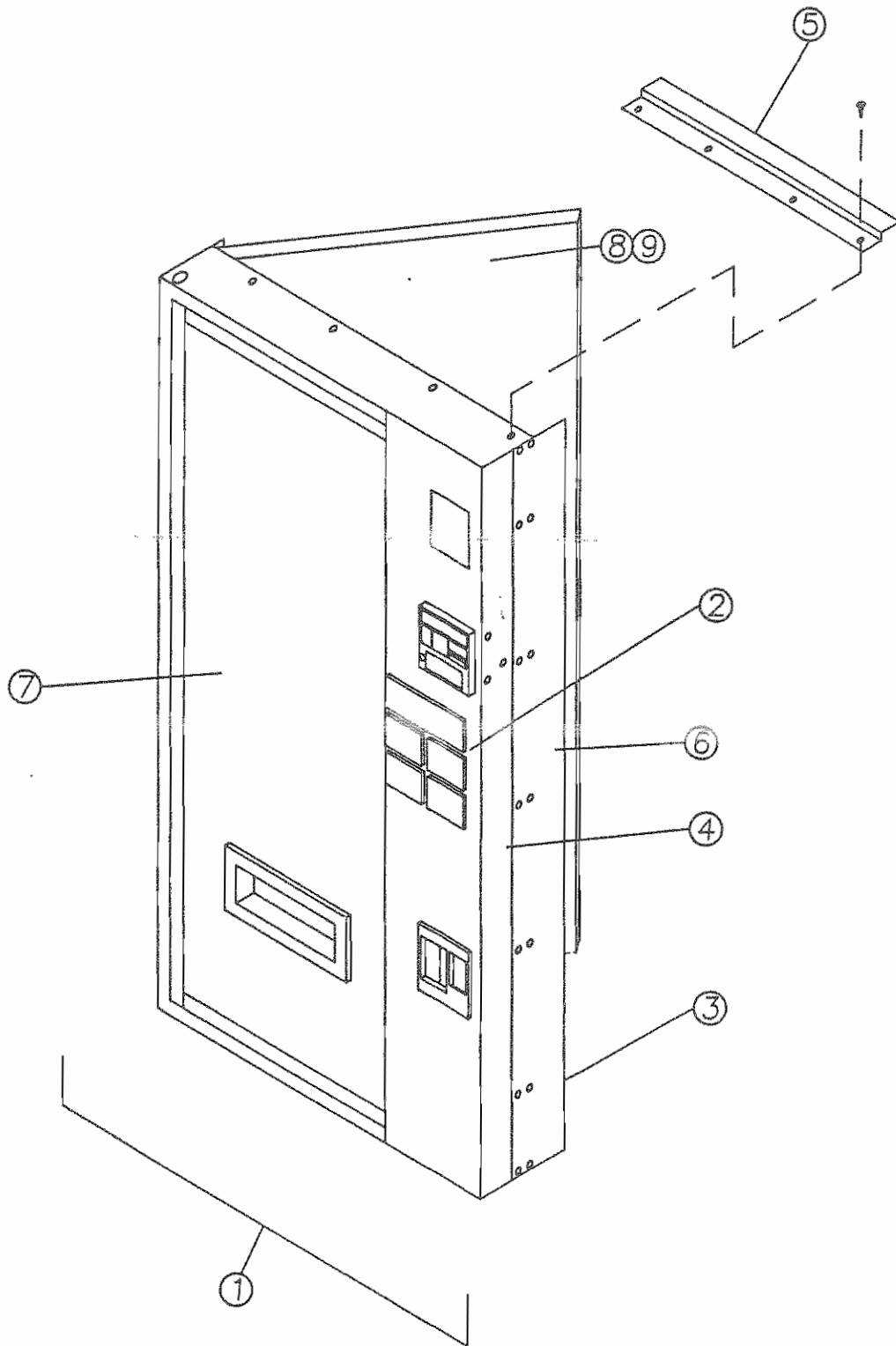
"UNIVENDOR"[™] OUTER DOOR

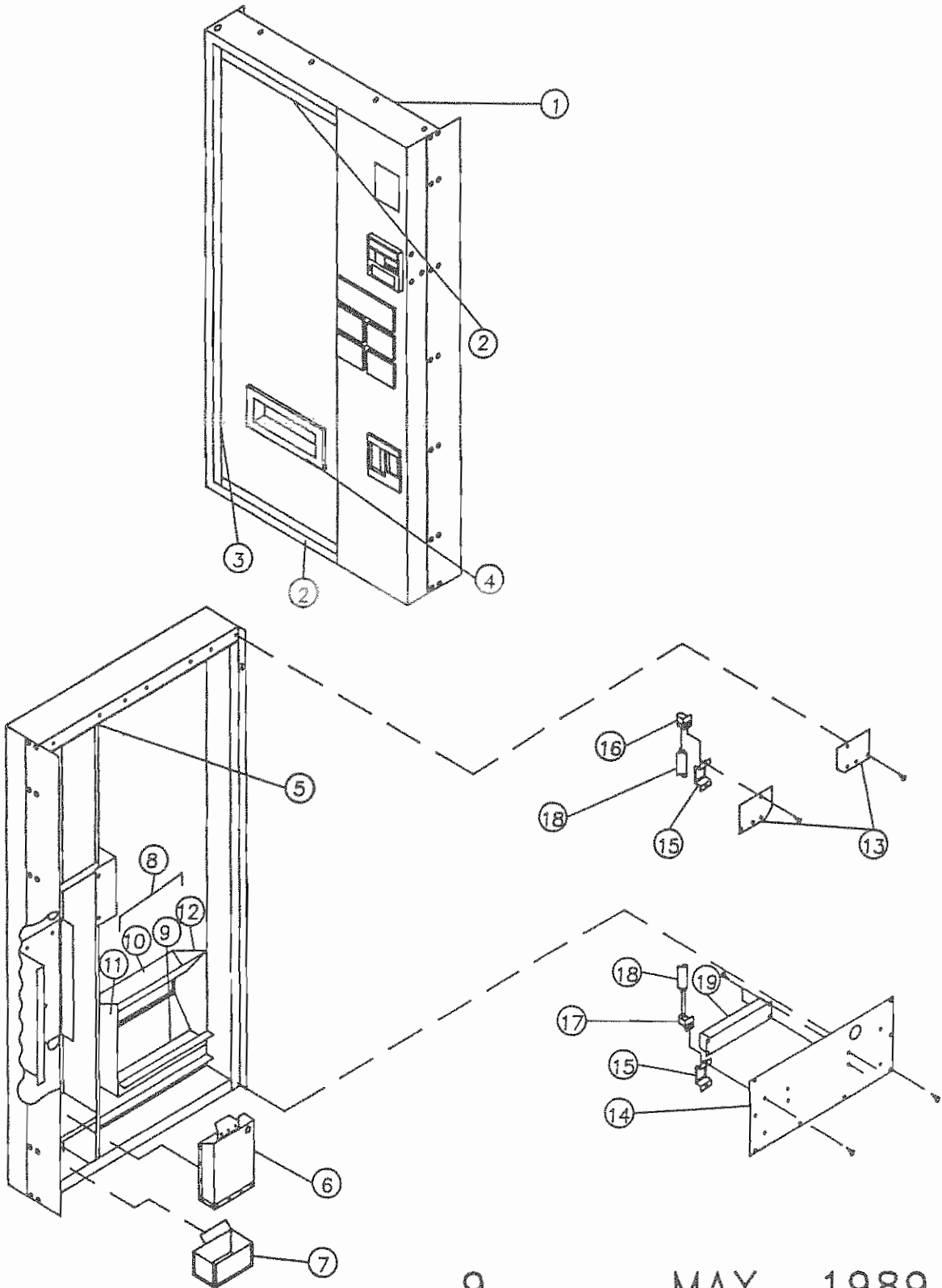
PEPSI

ITEM NO.	PART NAME & DESCRIPTION	MODEL NUMBERS	
		NO. REQ.	PART NUMBER
--	OUTER DOOR ASSEMBLY - PEPSI	1	133507-15
--	OUTER DOOR ASSEMBLY - DIET PEPSI	1	133507-16
--	OUTER DOOR ASSEMBLY - SLICE	1	133507-17
1	OUTER DOOR FRAME WELD	1	133459-5
2	DOOR GUARD	1	133433-18
3	DOOR RAIN GUARD	1	133647-10
4	SIGN FACE - PEPSI	1	389426
5	SIGN TRIM - TOP/BOTTOM	2	388284-9
6	SIGN TRIM - LEFT	1	388284-10
7	EYELET TRIM	1	387125
8	SIGN RETAINER - CONTROL PANEL	1	389394
9	COIN BOX	1	133563
10	CROWN BOX	1	134621
11	DELIVERY HOPPER ASSEMBLY	1	133574
12	HOPPER BOTTOM	1	388316
13	HOPPER TOP	1	388317
14	HOPPER SIDE - RIGHT	1	388318
15	HOPPER SIDE - LEFT	1	388318-1
16	SAIL PANEL	2	389327
17	SHEAR PANEL - BOTTOM	1	389328
18	BRACKET - LAMP HOLDER	4	389604
19	LAMP HOLDER - PLUNGER	2	388532
20	LAMP HOLDER - FIXED	2	388531
21	FLUORESCENT LAMP - TWO PIN	2	383980
22	BALLAST - LAMP	1	383982

NOTE:

FOR SELECTION PANEL PARTS SEE PAGE 4 OF THIS SUPPLEMENT.
 FOR , COIN INSERT CASTING PARTS, & LOCK ASSEMBLY PARTS, SEE
 UNIVENDOR MANUAL (389481) PAGES D5 & D6.
 FOR DOOR HARNESS, SEE UNIVENDOR MANUAL (389481) PAGES D7 & D8.
 FOR ALL ITEMS NOT LISTED PLEASE CHECK THE APPROPRIATE SECTION IN
 THE UNIVENDOR MANUAL (389481).





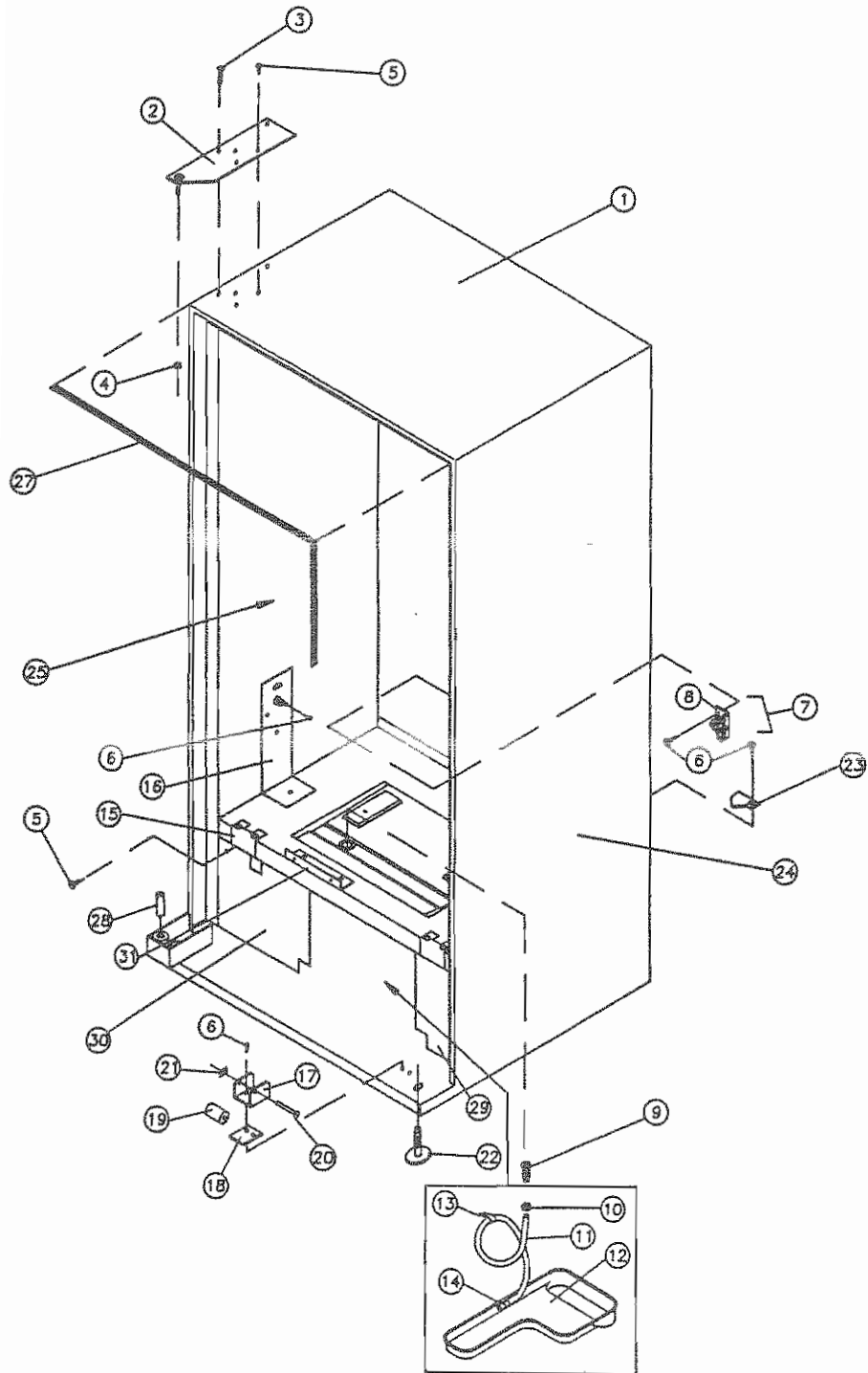
"UNIVENDOR" OUTER DOOR

TRADE

ITEM NO.	PART NAME & DESCRIPTION	NO. REQ.	MODEL NUMBERS
			PART NUMBER
---	OUTER DOOR ASSEMBLY	1	-----
1	DOOR FRAME WELD - SEE PAGES 7 & 8	1	-----
2	SIGN TRIM - TOP/BOTTOM	2	388284-11
3	SIGN TRIM - LEFT	1	388284-10
4	EYELET TRIM	1	387125
5	SIGN RETAINER - CONTROL PANEL	1	389431-1
6	COIN BOX	1	133563
7	CROWN BOX	1	134621
8	DELIVERY HOPPER ASSEMBLY	1	133574
9	HOPPER BOTTOM	1	388316
10	HOPPER TOP	1	388317
11	HOPPER SIDE - RIGHT	1	388318
12	HOPPER SIDE - LEFT	1	388318-1
13	SAIL PANEL	2	389327
14	SHEAR PANEL - BOTTOM	1	389328
15	BRACKET - LAMP HOLDER	4	389604
16	LAMP HOLDER - PLUNGER	2	388532
17	LAMP HOLDER - FIXED	2	388531
18	FLUORESCENT LAMP - BI-PIN	2	383980
19	BALLAST - LAMP	1	383982

NOTE:

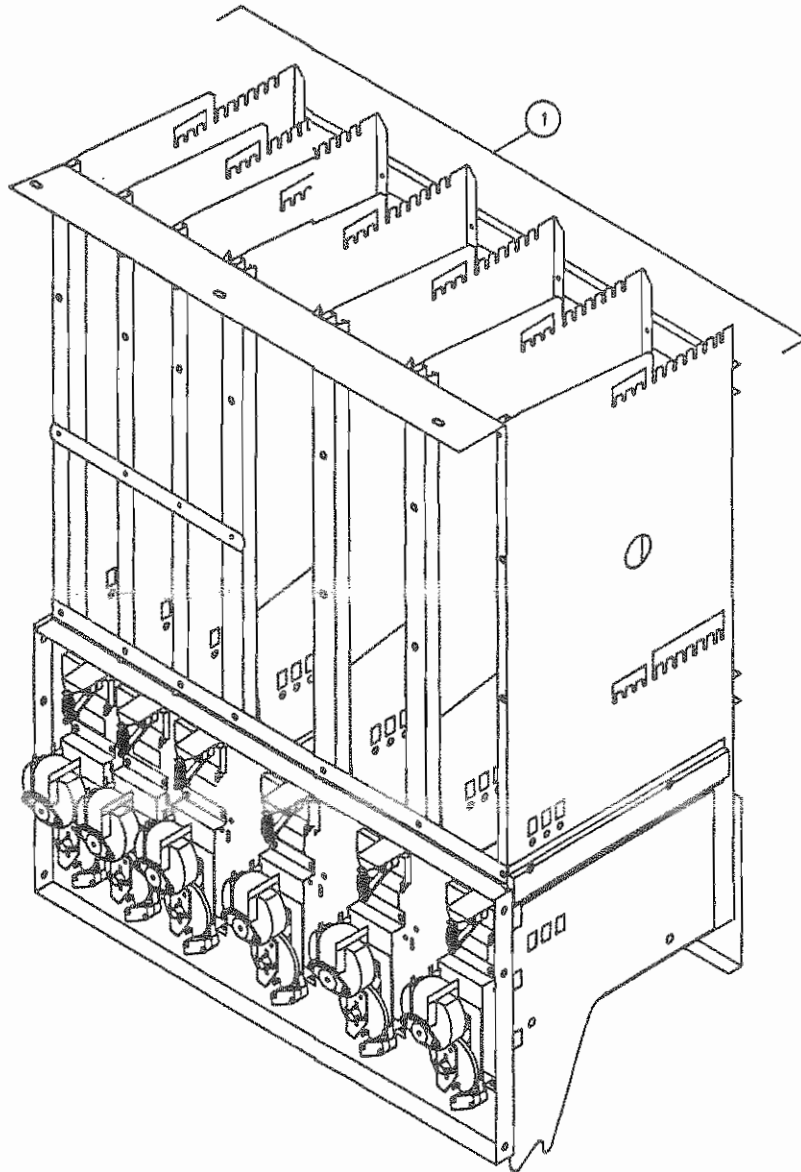
FOR SELECTION PANEL PARTS, COIN INSERT CASTING PARTS, & LOCK ASSEMBLY PARTS, SEE UNIVENDOR MANUAL (389481) PAGES E9 & E10. FOR DOOR HARNESS, SEE UNIVENDOR MANUAL (389481) PAGES E11 & E12. FOR ALL ITEMS NOT LISTED PLEASE CHECK THE APPROPRIATE SECTION IN THE UNIVENDOR MANUAL (389481).



"UNIVENDOR" CABINET ASSEMBLY

ITEM NO.	PART NAME & DESCRIPTION	NO.REQ.	MODEL NO.
			190, 186, 182 PART NUMBER
1	CABINET (FOAM) ASSEMBLY - COKE	1	134643
-	CABINET (FOAM) ASSEMBLY -PEPSI	1	134643-1
2	TOP HINGE WELD ASSEMBLY	1	134478
3	CARRIAGE BOLT - HINGE	3	V801434
4	HEX NUT W/LOCKWASHER	3	V800959
5	SELF-DRILL SCREW	AR	V801489
6	TAPPING SCREW	AR	V801360
7	QUICK-LOCK ASSEMBLY	1	134626
8	LATCH BRACKET	1	389666
9	DRAIN TUBE	1	388245
10	NUT - DRAIN TUBE	1	387925
11	DRAIN TUBING	AR	340061
12	CONDENSATE PAN	1	339840
13	STRAP ADJUSTABLE - TUBING	1	342621
14	CLIP - TUBING TO PAN	1	321304
15	CLOSURE CAP	2	388143
16	STACK SUPPORT 5 + 0	2	134321
---	STACK SUPPORT 3 + 3	2	133329
---	STACK SUPPORT 1 + 6	2	134444
17	ROLLER BRACKET - DOOR LIFT	1	388096
18	SHIM - BRACKET	AR	388097
19	ROLLER	1	388656
20	PIN -ROLLER	1	388719
21	RETAINER - PIN	1	V801368
22	LEVELING LEG	4	387678
23	BRACKET - REFRIGERATION	2	388387
24	SIDE DECAL - SEE PAGE 2	2	-----
25	STACK ASSEMBLY - SEE PAGE 13 & 14	1	-----
26	REFRIGERATION ASSY. - SEE NOTE BELOW	1	-----
27	RAIN GASKET	1	389463-2
28	HINGE PIN	1	389071
29	AIR DAM RIGHT	1	388917-1
30	AIR DAM LEFT	1	388403-2
31	MOUNTING PLATE - DELIVERY CHUTE	1	388086

NOTE: FOR THE REFRIGERATION UNIT, SEE UNIVENDOR MANUAL (389481) PAGES F13 & F14. THE SMALL VENDOR USES THE V87 REPLACEMENT REFRIGERATION SYSTEM (132901), 1/4 HP. THIS IS THE SAME REFRIGERATION ASSEMBLY AS THE LARGER VENDORS, EXCEPT IT TAKES DIFFERENT SIDE EXTENSIONS ON THE EVAPORATOR, LEFT (389410) & RIGHT (389410-1).

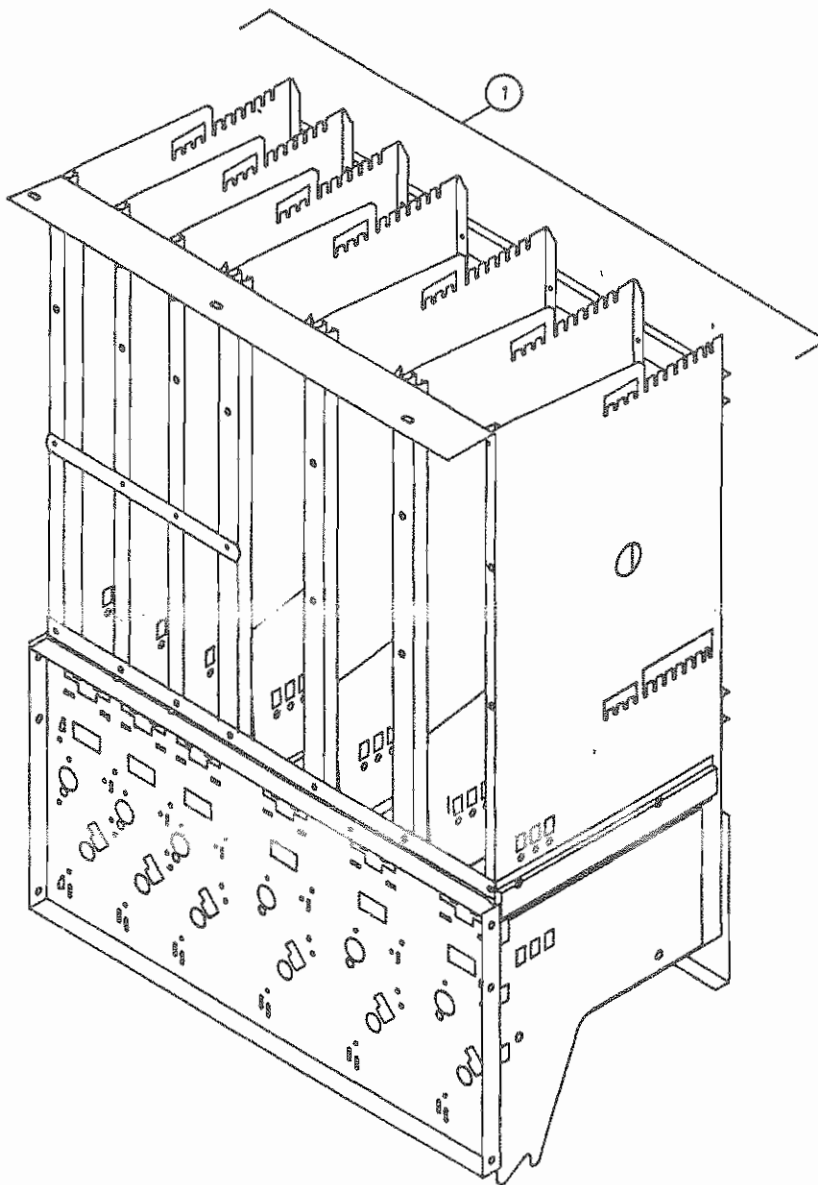


"UNIVENDOR"™

STACK - VEND MECH COMPLETE ASSEMBLY

ITEM NO.	MODEL NUMBER	CABINET SIZE	STACK CONFIGURATION	NO. REQ'D	PART NUMBER
1	190	29" X 59"	5 + 0	1	134578-23
--	186	29" X 59"	3 + 3	1	134578-24
--	182	29" X 59"	1 + 6	1	134578-25

NOTE: VEND MECH HARNESSSES ARE NOT INCLUDED IN STACK - VEND MECH COMPLETE ASSEMBLY.

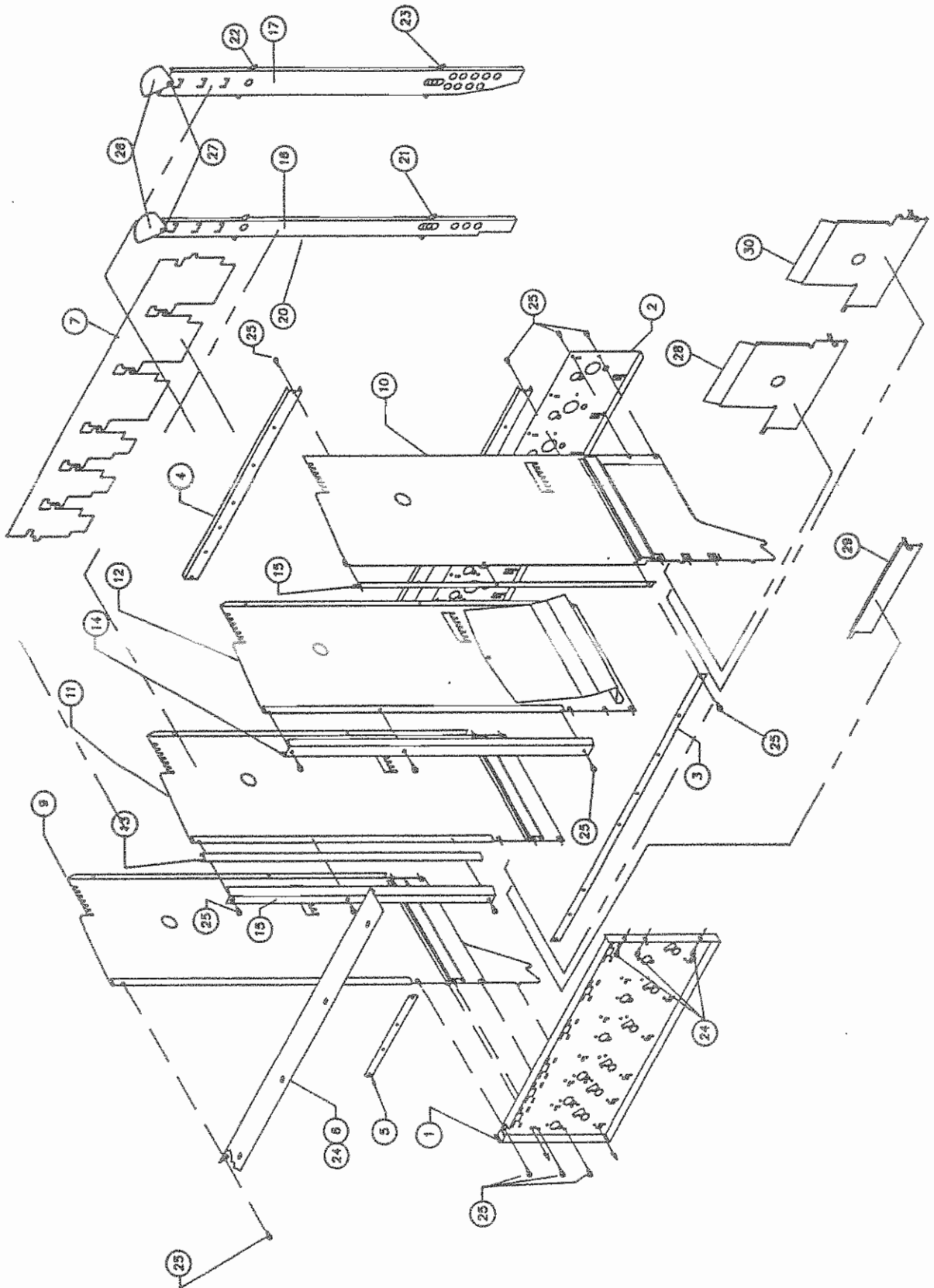


"UNIVENDOR"

STACK CHASSIS

ITEM NUMBER	CONFIGURATION	PART NAME & DESCRIPTION	PART NUMBER	NUMBER REQ'D.
1	5 + 0	STACK CHASSIS ASSEMBLY	134643	1
--	3 + 3	STACK CHASSIS ASSEMBLY	134644	1
--	1 + 6	STACK CHASSIS ASSEMBLY	134645	1

Vendo®



15

MAY 1989

"UNIVENDOR" STACK CHASSIS COMPONENTS

ITEMS BELOW ARE LISTED BY STACK CONFIGURATION

ITEM NUMBER →	1	2	3	4	5	6	7
PART NAME & DESCRIPTION	FRONT MECH PLATE	REAR MECH PLATE	FRONT STRAP	REAR STRAP	FRONT STRAP NAR. COL.	TOP SUPPORT	AIR BAFFLE
CONFIGURATIONS	(1 REQUIRED)	(1 REQUIRED)	(1 REQUIRED)	(2 REQUIRED)	(1 REQUIRED)	(1 REQUIRED)	(1 REQUIRED)
	PART NUMBERS						
5 + 0	389453	389441	389442	389443	-----	389437	389440
3 + 3	389473	389474	389477	389476	389273-3	389475	389478
1 + 6	389586	389587	389589	389551	389273-6	389588	389592

ITEMS LISTED BELOW ARE COMMON (CONFIGURATION, HEIGHT & WIDTH)

ITEM #	PART NAME & DESCRIPTION	PART NUMBERS	NUMBER REQD
8	VERTICAL AIR BAFFLE - NOT SHOWN	388916	2
9	PARTION WELD ASSEMBLY - LEFT SIDE	133659-3	1
--	PARTION WELD ASSEMBLY - LEFT SIDE (5+0)	134313-3	1
10	PARTION WELD ASSEMBLY - RIGHT SIDE	134312-3	1
11	PARTION WELD ASSEMBLY - SING. COL.	133660-3	AR
12	PARTION WELD ASSEMBLY - STAG. COL.	133661-3	AR
13	PRODUCT RETAINER - SING. COL.	388874-3	AR
14	PRODUCT RETAINER - STAG. COL.	388947-3	AR
15	PRODUCT RETAINER - SIDE	388948-3	2
16	BACKSPACER - SING. COL.	388694-3	AR
17	BACKSPACER - STAG. COL.	388783-3	AR
18	MECH COVER - NOT SHOWN	389606-2	1
19	VEND CHUTE - NOT SHOWN	389461	1
20	BACKSPACER HANGER - UPPER -SING. COL.	388695	AR
21	BACKSPACER HANGER - LOWER -SING. COL.	388889	AR
22	BACKSPACER HANGER - UPPER -STAG. COL.	388784	AR
23	BACKSPACER HANGER - LOWER -STAG. COL.	388888	AR
24	SCREW - SELF DRILLING	V801490	AR
25	SCREW - SELF TAPPING	V801422	AR
26	KEEPER - BACKSPACER	388896	AR
27	RIVET - KEEPER	V801412	AR
28	SIDESPACER - STAGGER COL 10 OZ. CAN	388844	AR
29	SIDESPACER - SINGLE COL 10 OZ. CAN	388781	AR
--	SIDESPACER - STAG./SING. COL 10 OZ. BOTTLE	388781	AR
30	SIDESPACER - STAG./SING. COL 6 OZ. CAN	388996	AR
31	VEND MECH HARNESS - SEE PAGE 1	N.S.	1
32	PLASTIC CLAMP - VEND MECH HARNESS	N.S.	1
33	SCREW - SELF DRILLING (CHUTE & CLAMP)	N.S.	6

NOTE: FOR PARTS, FOR THE VEND MECH ASSEMBLY, SEE THE UNIVENDOR MANUAL (389481) PAGES F9 & F10. ALL VEND MECH PARTS ARE COMMON TO ALL CONFIGURATIONS, NARROW & WIDE COLUMN, HEIGHTS, WIDTHS, & MODELS.